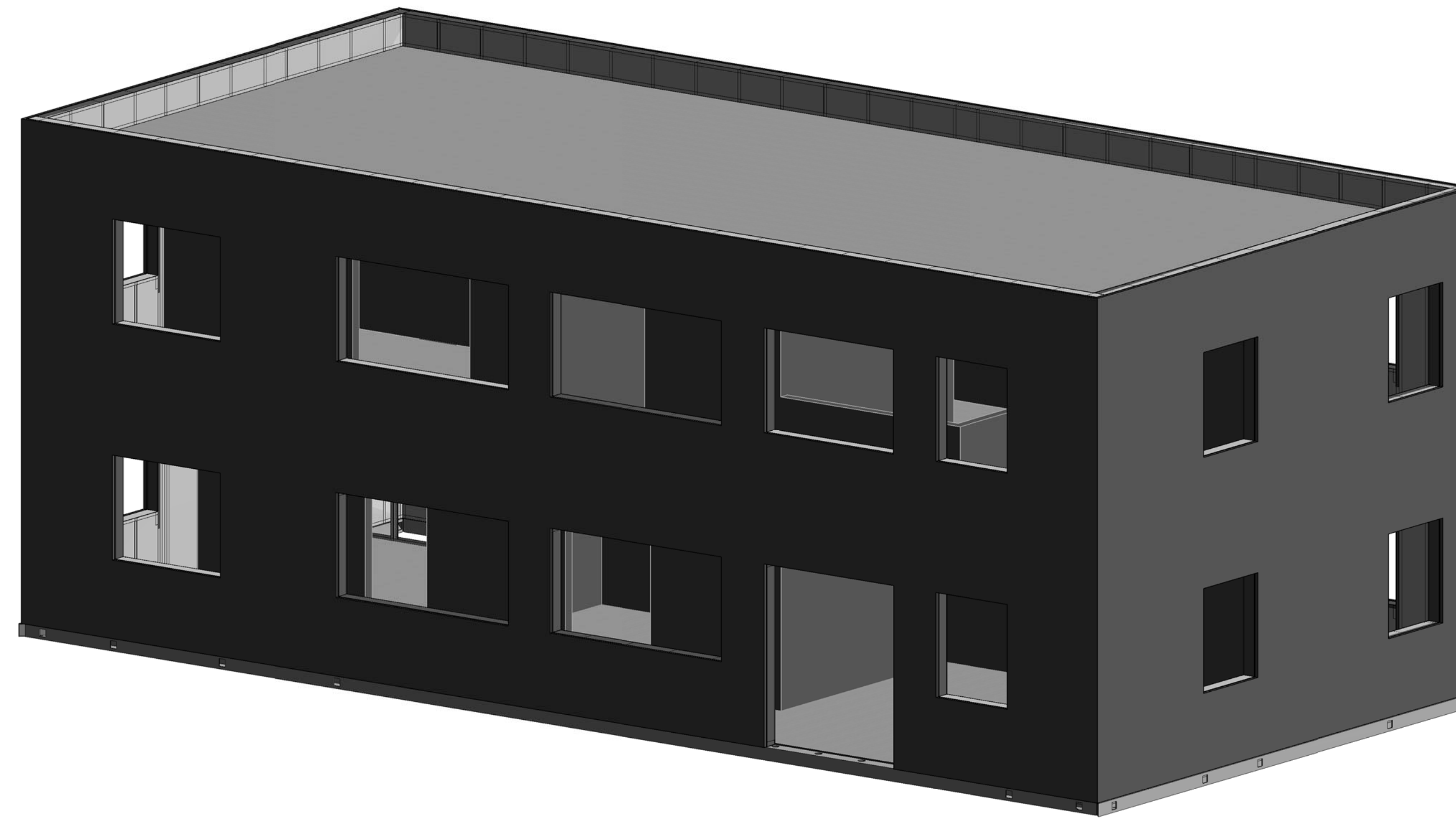


CFS NEES

JOHNS HOPKINS UNIVERSITY

PHASE 2b

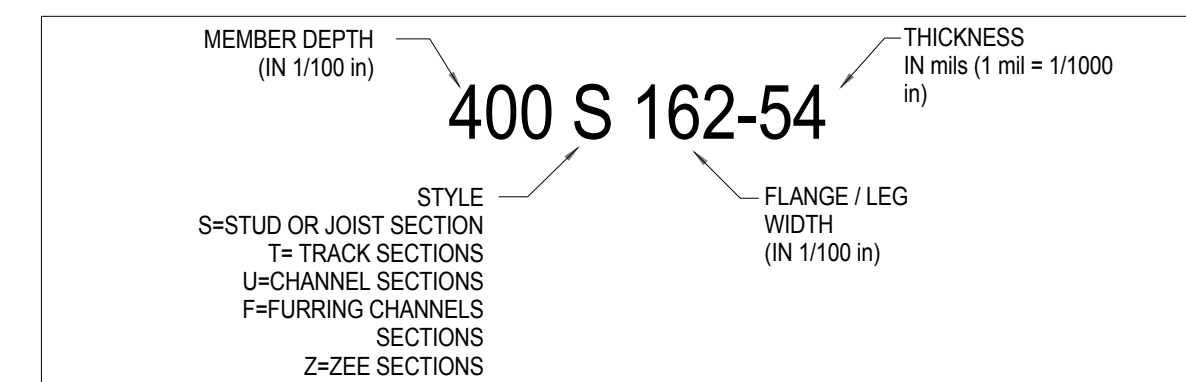


ABBREVIATIONS FOR COLD-FORMED GENERAL NOTES

A.D. - ARCHITECTURAL DRAWINGS	L.V.F. - LOW VELOCITY FASTENER (SEE GENERAL NOTES FOR SIZE & TYPE)
ADDL. - ADDITIONAL	LVL. - LEVEL
ALT. - ALTERNATE	LWC - LIGHT WEIGHT CONCRETE
BM. - BEAM	MAX. - MAXIMUM
B.O. - BOTTOM OF	MFG. - MANUFACTURER
BLDG. - BUILDING	MIN. - MINIMUM
BLKG. - BLOCKING	(N) - NEW
BTWN. - BETWEEN	N.B.D. - NOT BY DEVCO
CL. OR CLR. - CLEAR	N.T.S. - NOT TO SCALE
CLG. - CEILING	N/A. - NOT APPLICABLE
COL. - COLUMN	N.S. - NEAR SIDE
CONC. - CONCRETE	NWC - NORMAL WEIGHT CONCRETE
CONN. - CONNECTION	O. - OVER
CONT. - CONTINUOUS	O.C. - ON CENTER
CRC - COLD ROLLED CHANNEL	O.H. - OPPOSITE HAND
C.W. - CURTAINWALL	O.H.D. - OVERHEAD DOOR
DBL. - DOUBLE	OPNG. - OPENING
DEFL. - DEFLECTION	OPWJ - OPEN WEB JOIST
DIAG. - DIAGONAL	P.C. - PIECE
DIM. - DIMENSION	PERP. - PERPENDICULAR
DIV ANG OR DA - DIVERTER ANGLE	PT. - POINT
DWG. - DRAWING	REINF. - REINFORCING
EA. - EACH	REF. - REFERENCE
E.D. - EDGE DISTANCE	REQD. - REQUIRED
EL. OR ELEV. - ELEVATION	R.F.I. - REQUEST FOR INFORMATION
(E) - EXISTING	R.O. - ROUGH OPENING
E.O.D. - EDGE OF DECK	S.D. - STRUCTURAL DRAWINGS
E.O.R. - ENGINEER OF RECORD	SECT. - SECTION
E.O.S. - EDGE OF SLAB	SIM. - SIMILAR
EQ. - EQUAL	SPL BRK. - SPECIAL BRAKE
F.O. - FACE OF	SQ. - SQUARE
FLG. - FLANGE	STL. - STEEL
FLR. - FLOOR	SW. - SHEARWALL
F.S. - FAR SIDE	T&B. - TOP & BOTTOM
GA. - GAUGE	T.O. - TOP OF
G.C. - GENERAL CONTRACTOR	TYP. - TYPICAL
HDR. - HEADER	U.N.O. - UNLESS NOTED OTHERWISE
HGT. - HEIGHT	VERT. - VERTICAL
HORIZ OR HOR. - HORIZONTAL	W.B. - WEDGE BOLT
HSS - HOLLOW STRUCTURAL SECTION	WDW. - WINDOW
HWC - HIGH WIND CORNER. PER UBC, AREA EXTENDING FROM BUILDING CORNERS 10 FEET OR 0.1 TIMES THE LEAST WIDTH OF THE BUILDING, WHICHEVER IS LESS.	WF. - WIDE FLANGE
I.L.O. - IN LIEU OF	W. - WITH
INV. - INVERTED	W/O. - WITHOUT
JT. - JOINT	W.P. - WORK POINT
LG. - LONG	
LOCN. - LOCATION	
LLH. - LONG LEG HORIZONTAL	
LLV. - LONG LEG VERTICAL	

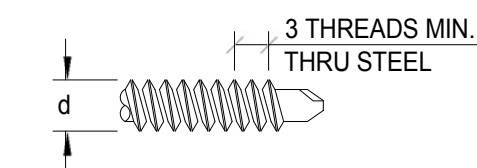
COLD-FORMED STEEL GENERAL NOTES

- DESIGN CRITERIA
2009 IBC
OCCUPANCY CATEGORY II
WIND: 85 MPH (3 SECOND GUST), EXP. B, I=1.0
SEISMIC: $S_{ps} = 0.93$
SEISMIC SITE CLASS D, IE=1.0
SEISMIC DESIGN CATEGORY D
 $S_s = 1.39$
 $S_1 = 0.50$
 $R = 6.5$
 $C_s = 4$
 $W_q = 3$
- DEF'L. LIMITS : FLOOR = L/360 LL; L/240 DL + LL
O.C. - ON CENTER
ROOF = L/240 LL; L/180 DL + LL
- DESIGN LIVE LOADS:
FLOOR: OFFICES = 50 psf
OFFICE CORRIDORS ABOVE 1ST FLOOR = 80 psf
PARTITIONS = 15 psf
ROOF: ROOF LIVE = 20 psf
- ALL COLD FORMED STEEL STUDS, JOIST, TRACK & MISC. SHAPES MILL CERTIFIED STEEL TO MEET:
A. ASTM A1003 ST GRADE 50, TYPE H 54-97 mil GALV. STEEL
B. ASTM A1003 ST GRADE 33, TYPE H 18-43 mil GALV. STEEL
EXTERIOR MEMBERS - G60 MINIMUM
- ALL STEEL STUDS, JOIST & TRACK SHALL HAVE A LEGIBLE LABEL, STAMP OR EMBOSSEMENT, AT A MAXIMUM OF 48" O.C., INDICATING THE MANUFACTURER'S NAME, LOGO OR INITIALS, ICC EVALUATION SERVICE REPORT NUMBER, THE MATERIAL BASE METAL THICKNESS (UNCOATED) IN .001 in. AND THE YIELD STRENGTH IF DIFFERENT THAN 33 ksi.
- MILL CERTIFICATES FROM THE COIL PRODUCER SHALL BE MADE AVAILABLE IF REQUESTED. MILL CERTIFICATE TO INCLUDE AS A MINIMUM THE CHEMICAL COMPOSITION, YIELD STRENGTH, TENSILE STRENGTH, ELONGATION, AND COATING THICKNESS.
- MINIMUM SECTION PROPERTIES: (PER SSMA, ICC ER-4943-P)



MINIMUM DELIVERABLE THICKNESS (mils)	GAUGE	DESIGN THICKNESS (INCHES)
33	20	.0346
43	18	.0451
54	16	.0556
68	14	.0713
97	12	.1017
118	10	.1242

- STUDS AND TRACKS THAT COMPRISE A HEADER, STRONGBACK OR SILL SHALL NOT BE SPLICED.
- SCREW VALUES USED IN DESIGN MEET 2007 "NORTH AMERICAN SPECIFICATION FOR THE DESIGN OF COLD-FORMED STEEL STRUCTURAL MEMBERS" (ASI S100-07) SECTION E4 FOR SCREW CONNECTIONS. SCREWS TO CONFORM TO SAE J78.



THE NOMINAL STRENGTH OF THE SCREWS TESTED IN ACCORDANCE WITH SECTION F1.1(a) OF THE ASI S100-07, SHALL NOT BE LESS THAN:

SHEAR			TENSION		
#8	#10	1/4"	#8	#10	1/4"
1860	2003	2440	641	743	4580

- STUDS SHALL BE SEATED SQUARELY WITH MAX. 1/8" GAP BETWEEN END OF STUDS AND WEB OF TOP AND BOTTOM TRACKS TYPICAL AT ALL BEARING WALLS.

SHEET INDEX

SF 1.00B	COVER SHEET - PHASE 2b
SF 4.00	FOUNDATION PLAN - PHASE 1
SF 4.00A	FOUNDATION PLAN - PHASE 2a
SF 4.00B	FOUNDATION PLAN - PHASE 2b
SF 4.01B	LEVEL 1 LAYOUT PLAN - PHASE 2b
SF 4.02B	FLOOR JOIST LAYOUT PLAN - PHASE 2b
SF 4.02B	ROOF JOIST LAYOUT PLAN - PHASE 2b
SF 4.04B	LEVEL 2 LAYOUT PLAN - PHASE 2b
SF 4.10	ELEVATIONS
SF 4.11	ELEVATIONS
SF 4.20	WALL SECTIONS
SF 4.30	SHEAR WALL ELEVATIONS
SF 4.40	DETAILS
SF 4.50	FRAMED OPENING DETAILS
SF 5.00	PARTITION WALLS AND DETAILS
SF 5.10	SHEATHING ELEVATIONS
SF 5.11	SHEATHING ELEVATIONS
SF 6.00	LEVEL 1 SENSOR PLANS
SF 6.01	LEVEL 2 SENSOR PLANS
SF 6.02	ROOF SENSOR PLANS

PRELIMINARY

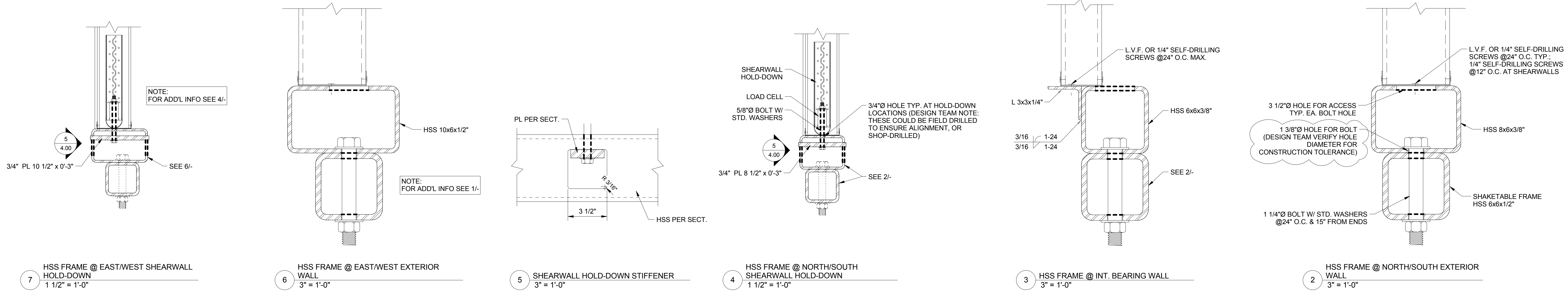
DRAWING STATUS:	No.	DATE:	REVISION:	DATE:
<input checked="" type="checkbox"/> PRELIMINARY		06/19/2013		
<input checked="" type="checkbox"/> SUBMITTED				
<input type="checkbox"/> BID SET				
<input type="checkbox"/> PERMIT SET				
<input type="checkbox"/> CONST. SET				

devco
 engineering inc.
 245 NE CONIFER, P.O. BOX 1211
 CORVALLIS, OR 97339
 WWW.DEVCOENGINEERING.COM
 © COPYRIGHT 2009
 DEVCO ENGINEERING, INC.
 ALL RIGHTS RESERVED.

PROJECT: CFS - NEES
 PROJECT LOCATION: JOHNS HOPKINS UNIVERSITY

SHEET TITLE: COVER SHEET - PHASE 2b

JOB NO. 10-277
 DRAWN BY: DEVCO
 DRAWING: SF 1.00B



7 HSS FRAME @ EAST/WEST SHEARWALL HOLD-DOWN
1 1/2" = 1'-0"

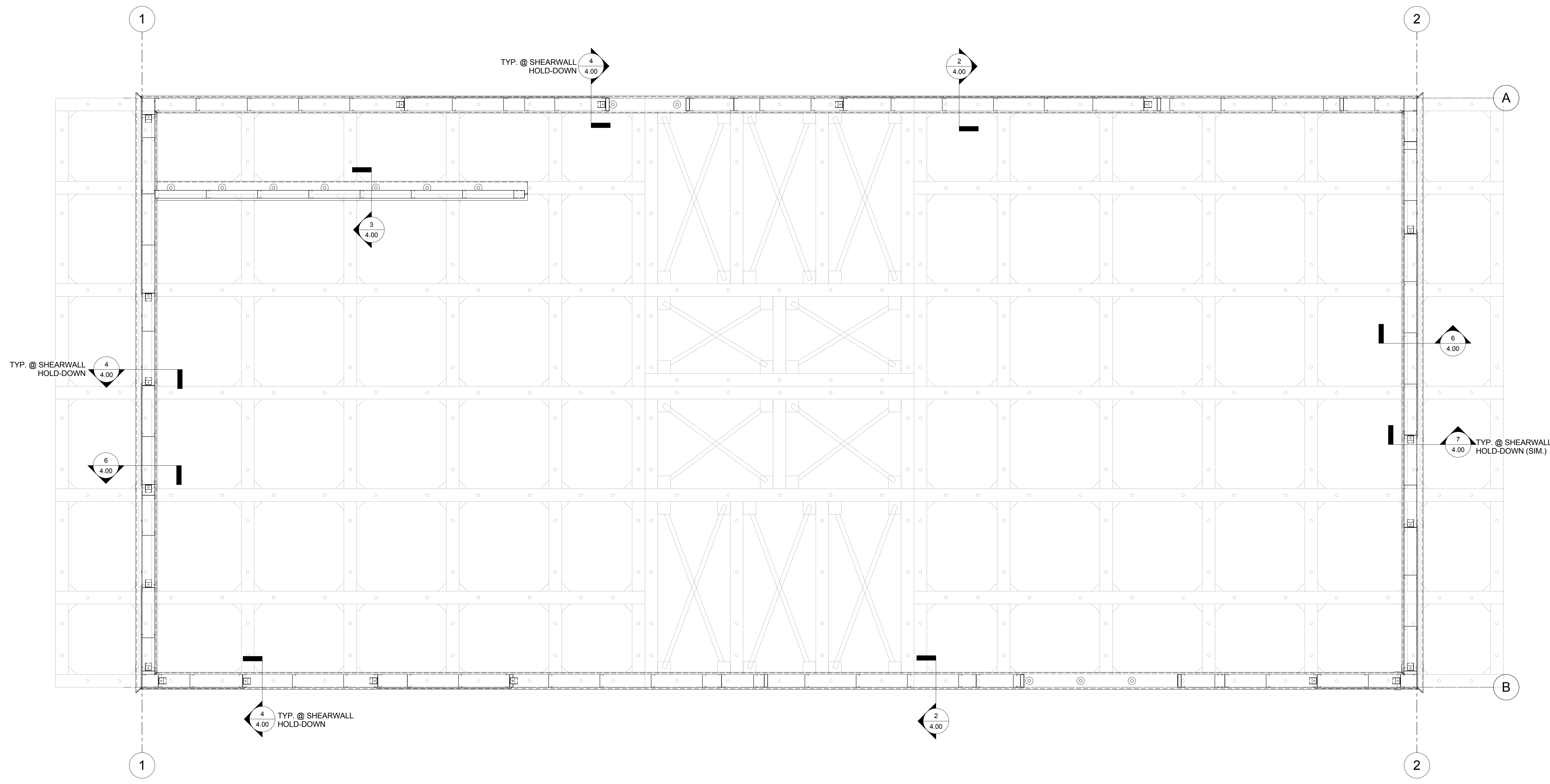
6 HSS FRAME @ EAST/WEST EXTERIOR WALL
3" = 1'-0"

5 SHEARWALL HOLD-DOWN STIFFENER
3" = 1'-0"

4 HSS FRAME @ NORTH/SOUTH SHEARWALL HOLD-DOWN
1 1/2" = 1'-0"

3 HSS FRAME @ INT. BEARING WALL
3" = 1'-0"

2 HSS FRAME @ NORTH/SOUTH EXTERIOR WALL
3" = 1'-0"



1 FOUNDATION PLAN
1/2" = 1'-0"

DRAWING STATUS:	DATE:	REVISION:
<input checked="" type="checkbox"/> PRELIMINARY	06/12/13	
<input type="checkbox"/> SUBMITTED		
<input type="checkbox"/> BID SET		
<input type="checkbox"/> PERMIT SET		
<input type="checkbox"/> CONST. SET		

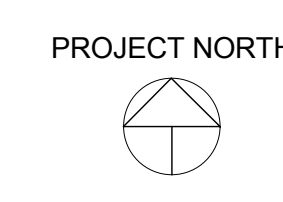
devco
Engineering Inc.
245 NE CONIFER, P.O. BOX 1211
CORVALLIS, OR 97339
WWW.DEVCOENGINEERING.COM

© COPYRIGHT 2009
DEVCO ENGINEERING, INC.
ALL RIGHTS RESERVED.

PROJECT: CFS - NEES
PROJECT LOCATION: JOHN HOPKINS UNIVERSITY

SHEET TITLE: FOUNDATION PLAN

JOB NO. 10-277
DRAWN BY: DEVCO
DRAWING: SF 4.00



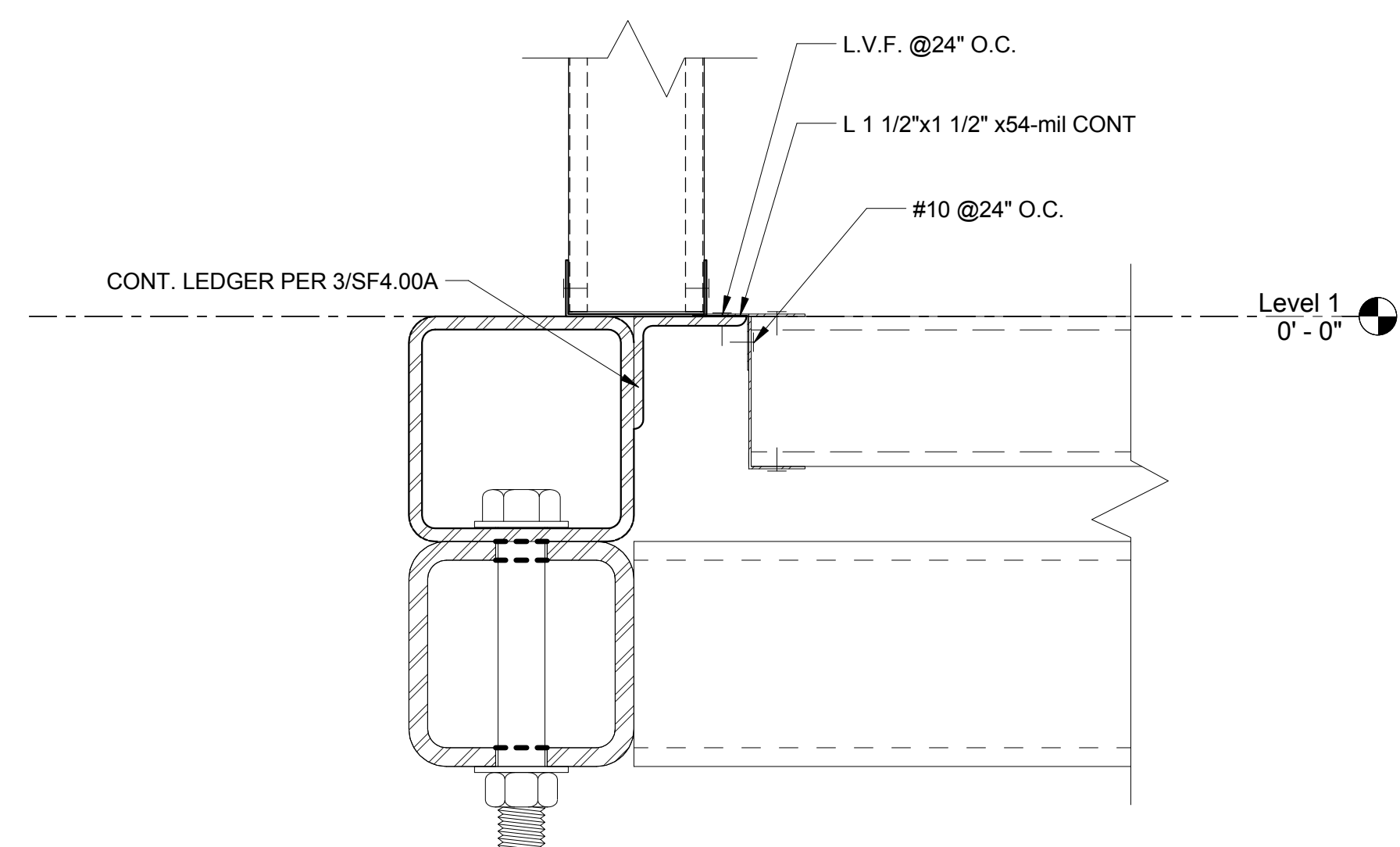
PRELIMINARY

DRAWING STATUS:	DATE:	NO.:	REVISION:
<input checked="" type="checkbox"/> PRELIMINARY	06/12/13	1	
<input checked="" type="checkbox"/> SUBMITTED			
<input type="checkbox"/> BID SET			
<input type="checkbox"/> PERMIT SET			
<input type="checkbox"/> CONST. SET			

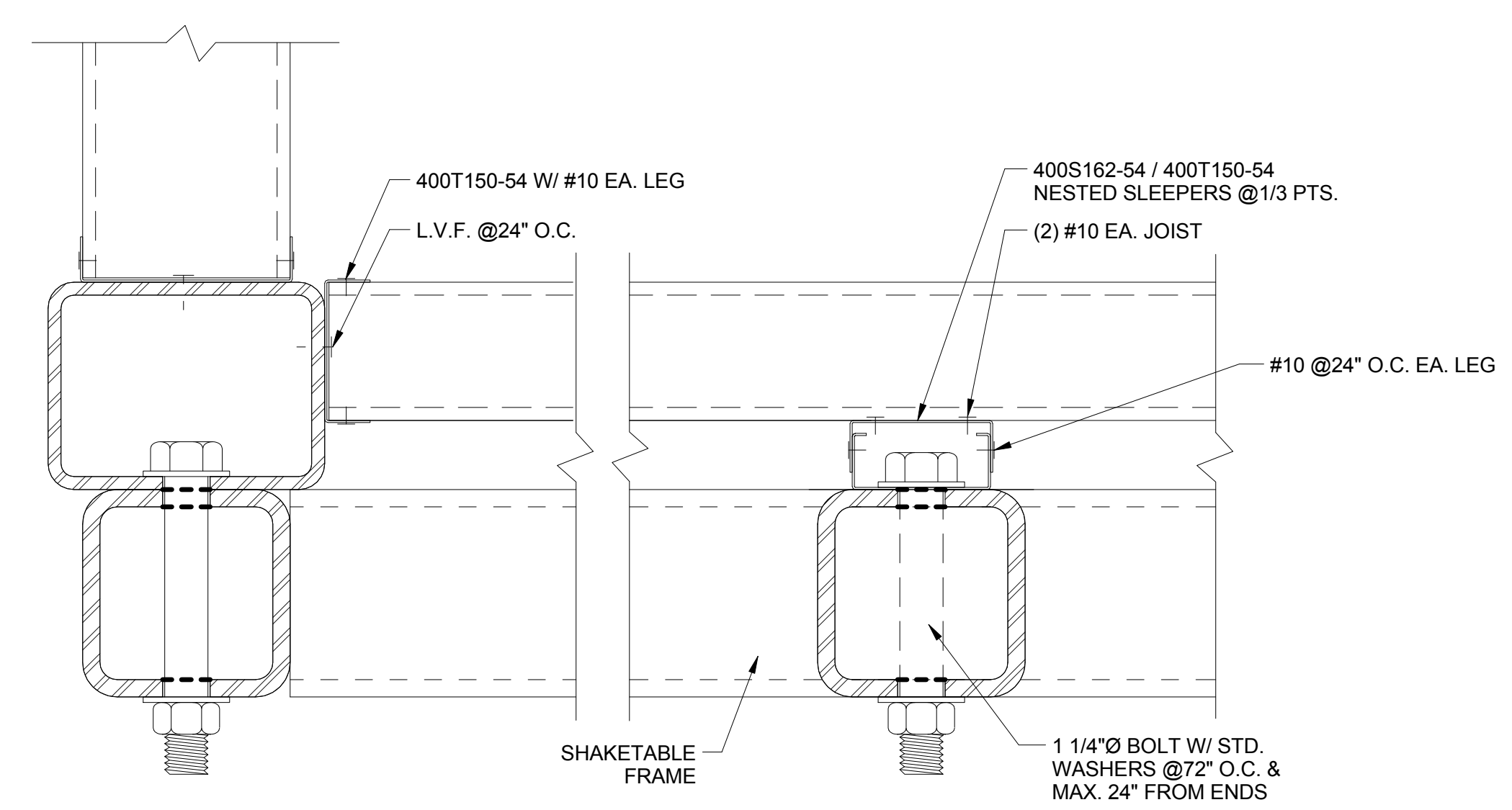

devco
 engineering inc.
 245 NE CONIFER, P.O. BOX 1211
 CORVALLIS, OR 97339
 WWW.DEVCOENGINEERING.COM
 © COPYRIGHT 2009
 DEVCO ENGINEERING, INC.
 ALL RIGHTS RESERVED.

PROJECT: CFS - NEES
 PROJECT LOCATION:
 CLIENT: JOHNS HOPKINS UNIVERSITY

SHEET TITLE:
FIRST FLOOR FRAMING PLAN - PHASE 2b
 JOB NO. 10-277
 DRAWN BY: DEVCO
 DRAWING:
SF 4.00B

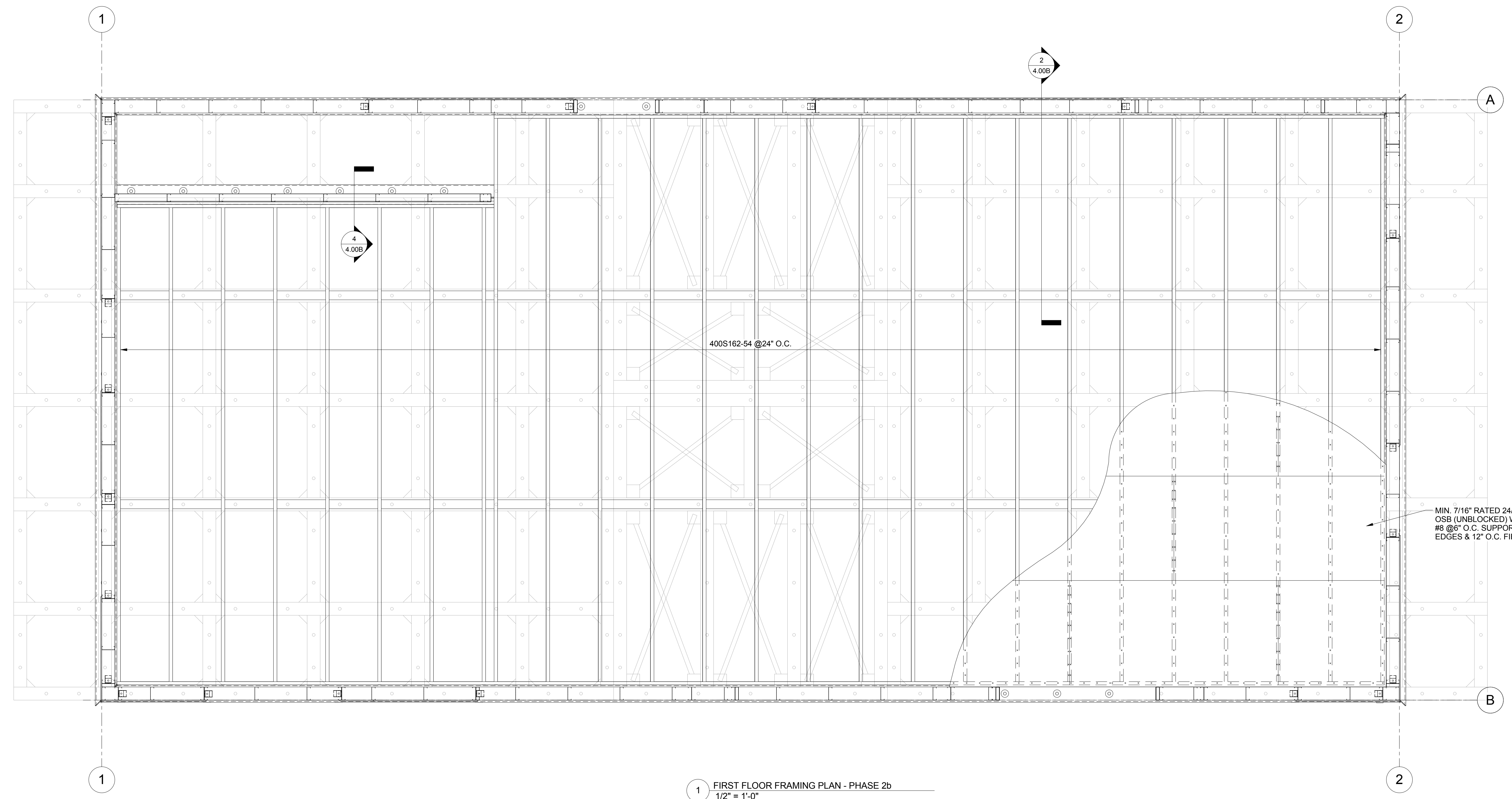


4 JOIST CONN. - PHASE 2
3" = 1'-0"



2 FLOOR FRAMING - PHASE 2
3" = 1'-0"

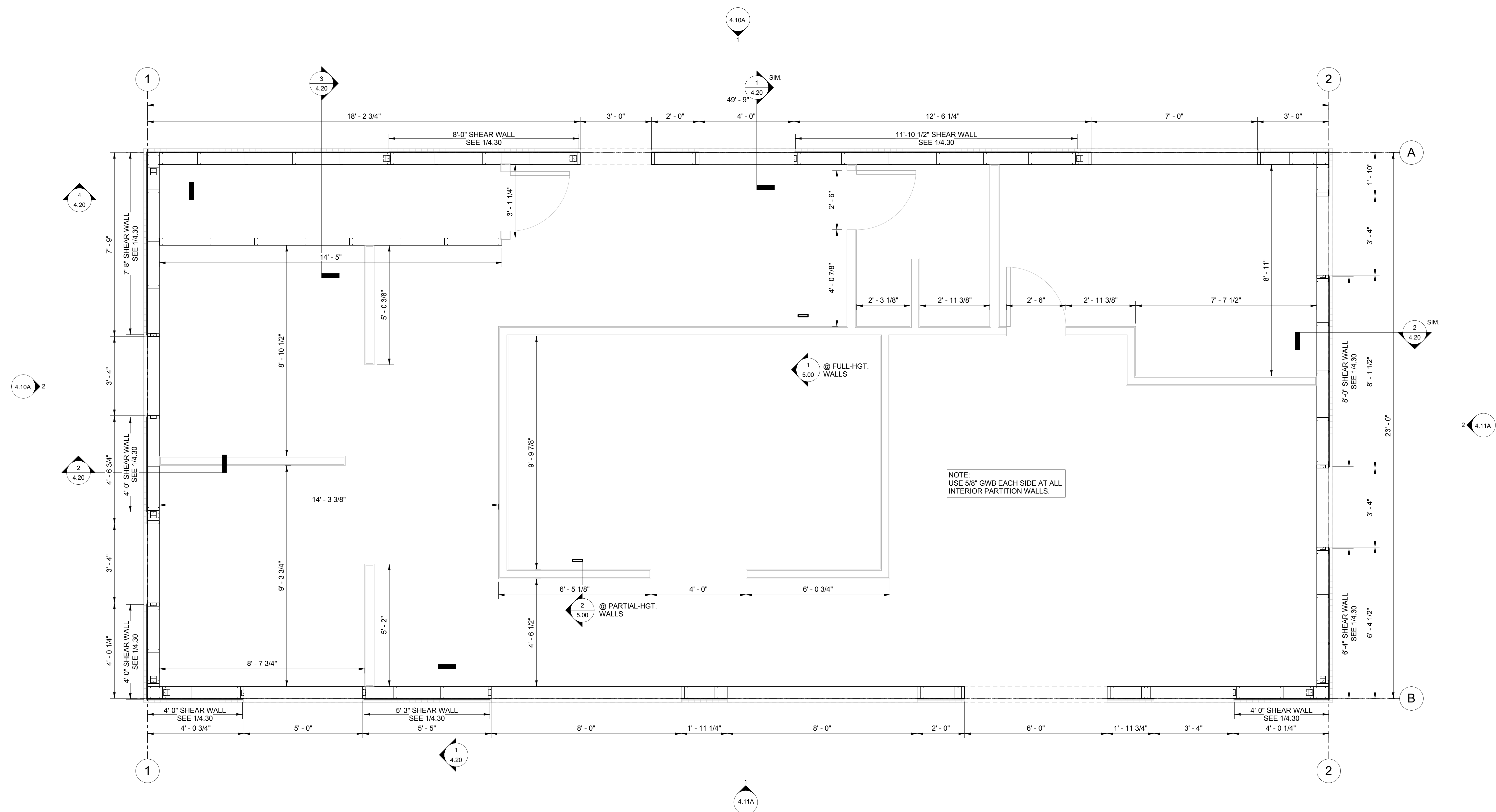
3 NOT USED
3" = 1'-0"



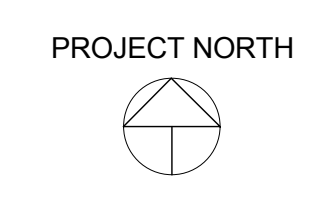
1 FIRST FLOOR FRAMING PLAN - PHASE 2b
1/2" = 1'-0"



6/19/2013 10:40:16 AM



1 LEVEL 1 LAYOUT PLAN - PHASE 2b
1/2" = 1'-0"



PRELIMINARY

DRAWING STATUS:	DATE:	REVISION:	DATE:
<input checked="" type="checkbox"/> PRELIMINARY	06/19/13		
<input checked="" type="checkbox"/> SUBMITTED			
<input type="checkbox"/> BID SET			
<input type="checkbox"/> PERMIT SET			
<input type="checkbox"/> CONST. SET			

devco
 engineering inc.
 245 NE CONIFER, P.O. BOX 1211
 CORVALLIS, OR 97339
 WWW.DEVCOENGINEERING.COM

© COPYRIGHT 2009
 DEVCO ENGINEERING, INC.
 ALL RIGHTS RESERVED.

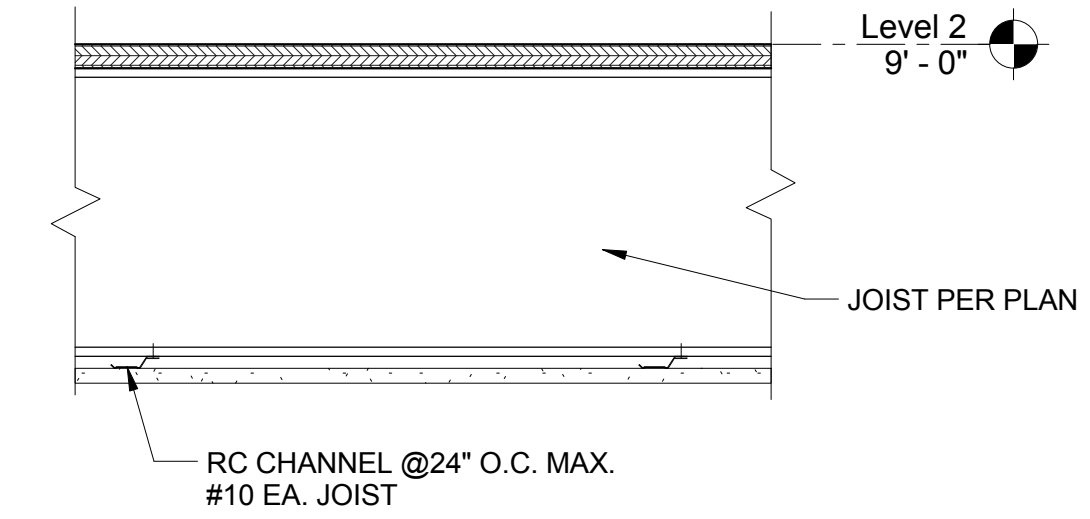
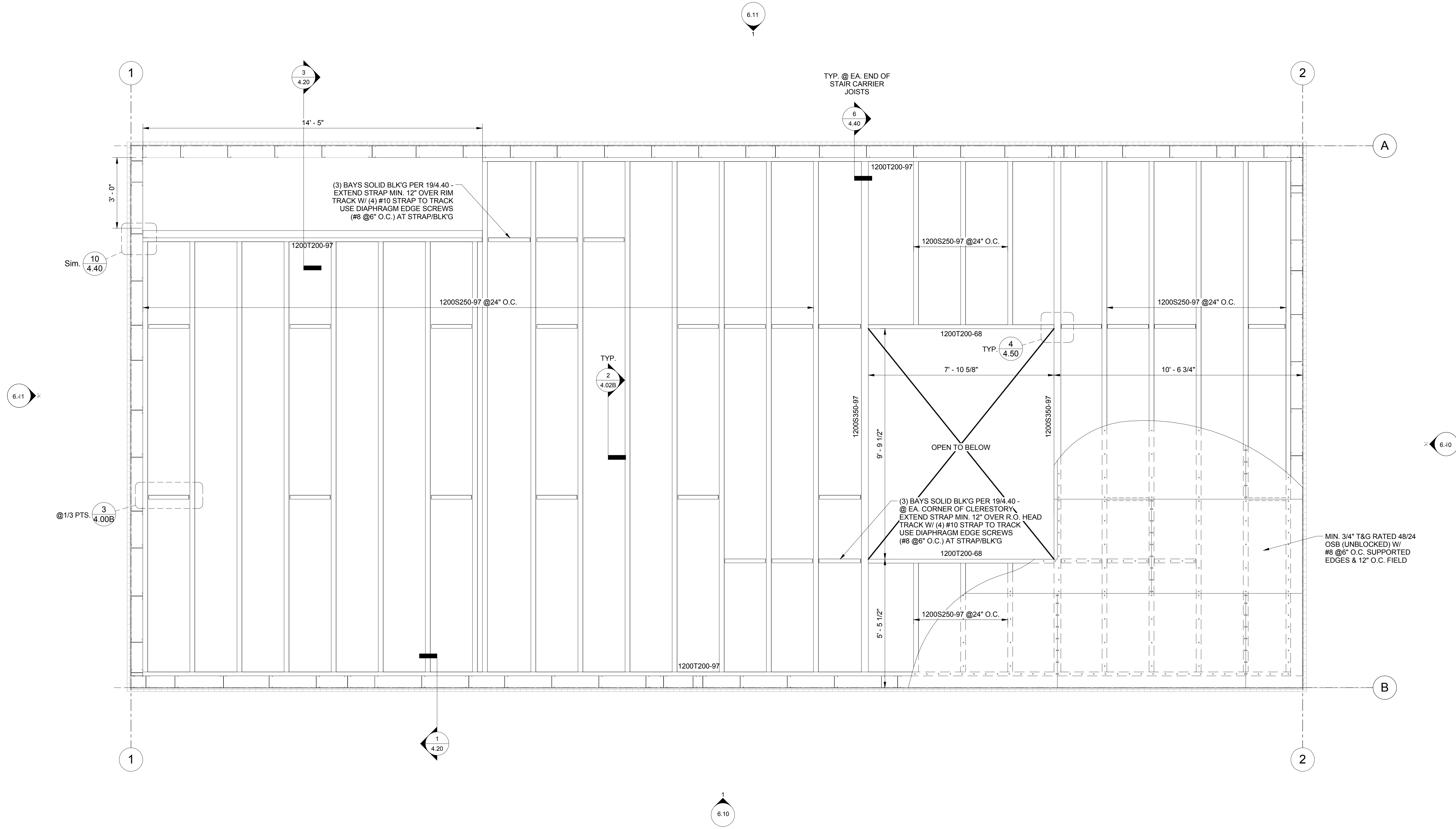
PROJECT:
CFS - NEES

PROJECT LOCATION:
JOHNS HOPKINS UNIVERSITY

SHEET TITLE:
LEVEL 1 LAYOUT PLAN - PHASE 2b

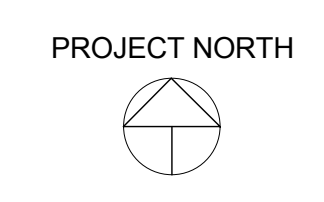
JOB NO.: 10-277
DRAWN BY: DEVCO
DRAWING: SF 4.01B

6/19/2013 10:40:17 AM



2 ENLARGED SECTION @ 2ND FLOOR - PHASE 2B
1 1/2" = 1'-0"

1 FLOOR JOISTS LAYOUT - PHASE 2b
1/2" = 1'-0"



PRELIMINARY

DRAWING STATUS:	DATE:	REVISION:	DATE:
<input checked="" type="checkbox"/> PRELIMINARY	06/19/13		
<input checked="" type="checkbox"/> SUBMITTED			
<input type="checkbox"/> BID SET			
<input type="checkbox"/> PERMIT SET			
<input type="checkbox"/> CONST. SET			

devco
Corvallis
Oregon
Engineering Inc.
245 NE CONIFER, P.O. BOX 1211
CORVALLIS, OR 97339
WWW.DEVCOENGINEERING.COM

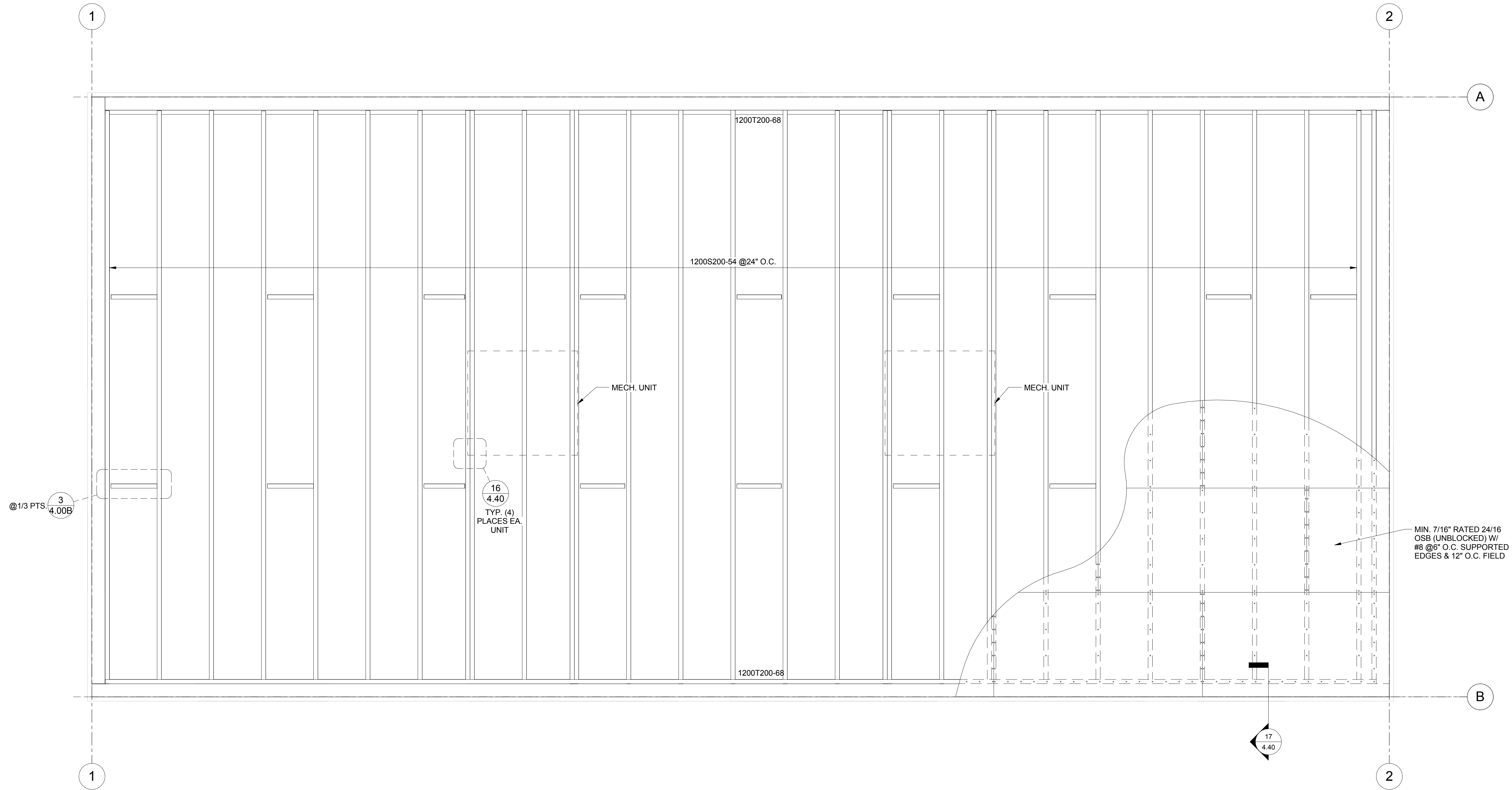
© COPYRIGHT 2009
DEVCO ENGINEERING, INC.
ALL RIGHTS RESERVED.

PROJECT: CFS - NEES
PROJECT LOCATION:
CLIENT: JOHNS HOPKINS UNIVERSITY

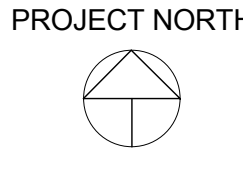
SHEET TITLE:
FLOOR JOIST LAYOUT PLAN - PHASE 2b

JOB NO. 10-277
DRAWN BY: DEVCO
DRAWING:
SF 4.02B

6/19/2013 10:40:17 AM



1 ROOF JOISTS LAYOUT - PHASE 2b
1/2" = 1'-0"



PRELIMINARY

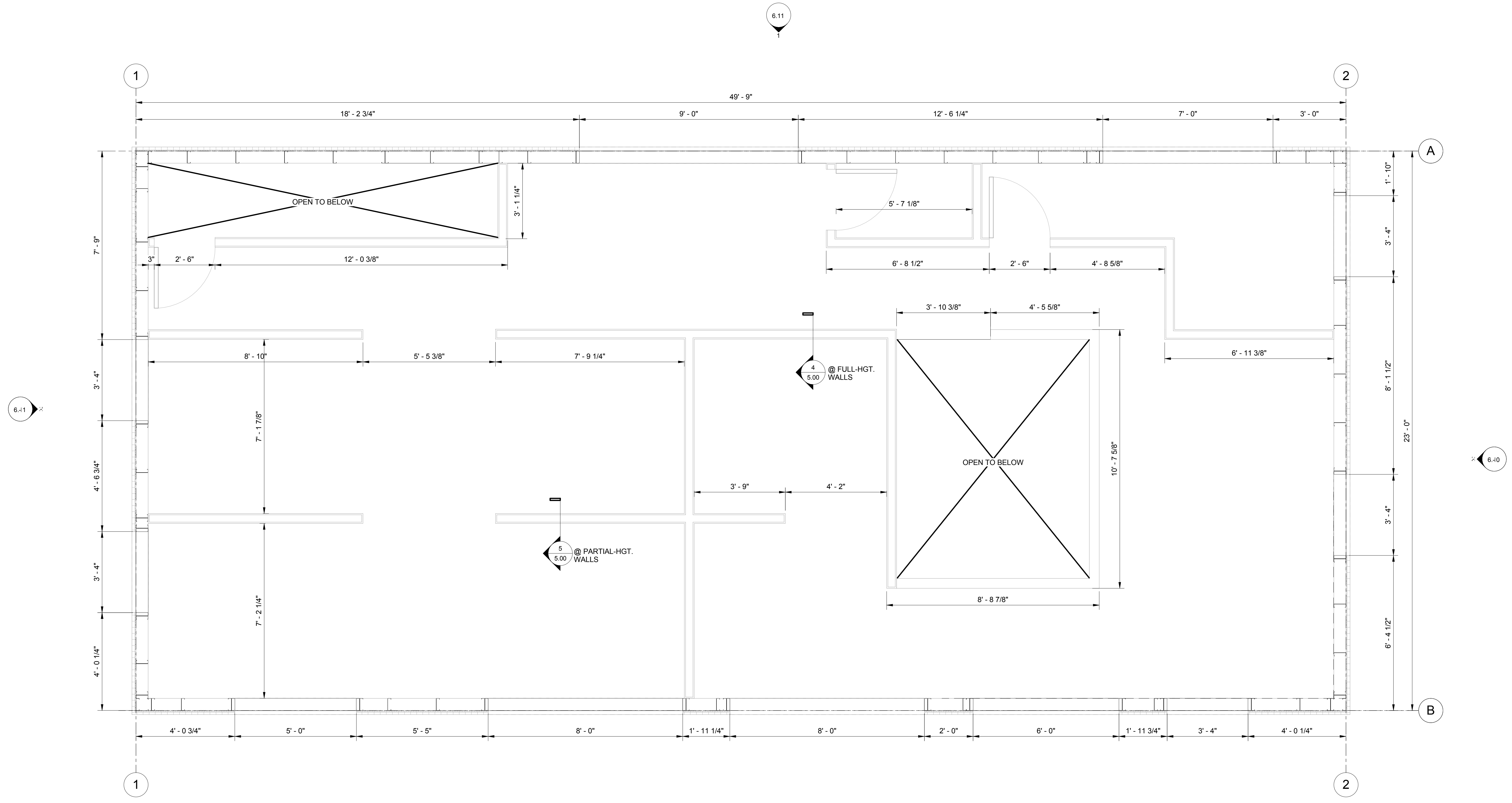
DRAWING STATUS:	DATE:	No.	REVISION:	DATE:
<input checked="" type="checkbox"/> PRELIMINARY	06/12/13	1		
<input checked="" type="checkbox"/> SUBMITTED				
<input type="checkbox"/> BID SET				
<input type="checkbox"/> PERMIT SET				
<input type="checkbox"/> CONST. SET				


DEVCO
 engineering inc.
 245 NE CONIFER, P.O. BOX 1211
 CORVALLIS, OR 97339
 WWW.DEVCOENGINEERING.COM
 © COPYRIGHT 2009
 DEVCO ENGINEERING, INC.
 ALL RIGHTS RESERVED.

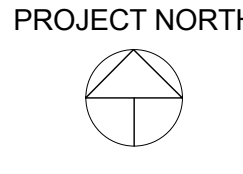
PROJECT: CFS - NEES
 PROJECT LOCATION:
 CLIENT: JOHNS HOPKINS UNIVERSITY

SHEET TITLE:
 ROOF JOIST LAYOUT PLAN - PHASE 2b

JOB NO. 10-277
 DRAWN BY: DEVCO
 DRAWING:
SF 4.03B



1 LEVEL 2 LAYOUT PLAN - PHASE 2b
 1/2" = 1'-0"



PRELIMINARY

DRAWING STATUS:	DATE:	No.	REVISION:	DATE:
<input checked="" type="checkbox"/> PRELIMINARY	06/12/13	1		
<input checked="" type="checkbox"/> SUBMITTED				
<input type="checkbox"/> BID SET				
<input type="checkbox"/> PERMIT SET				
<input type="checkbox"/> CONST. SET				

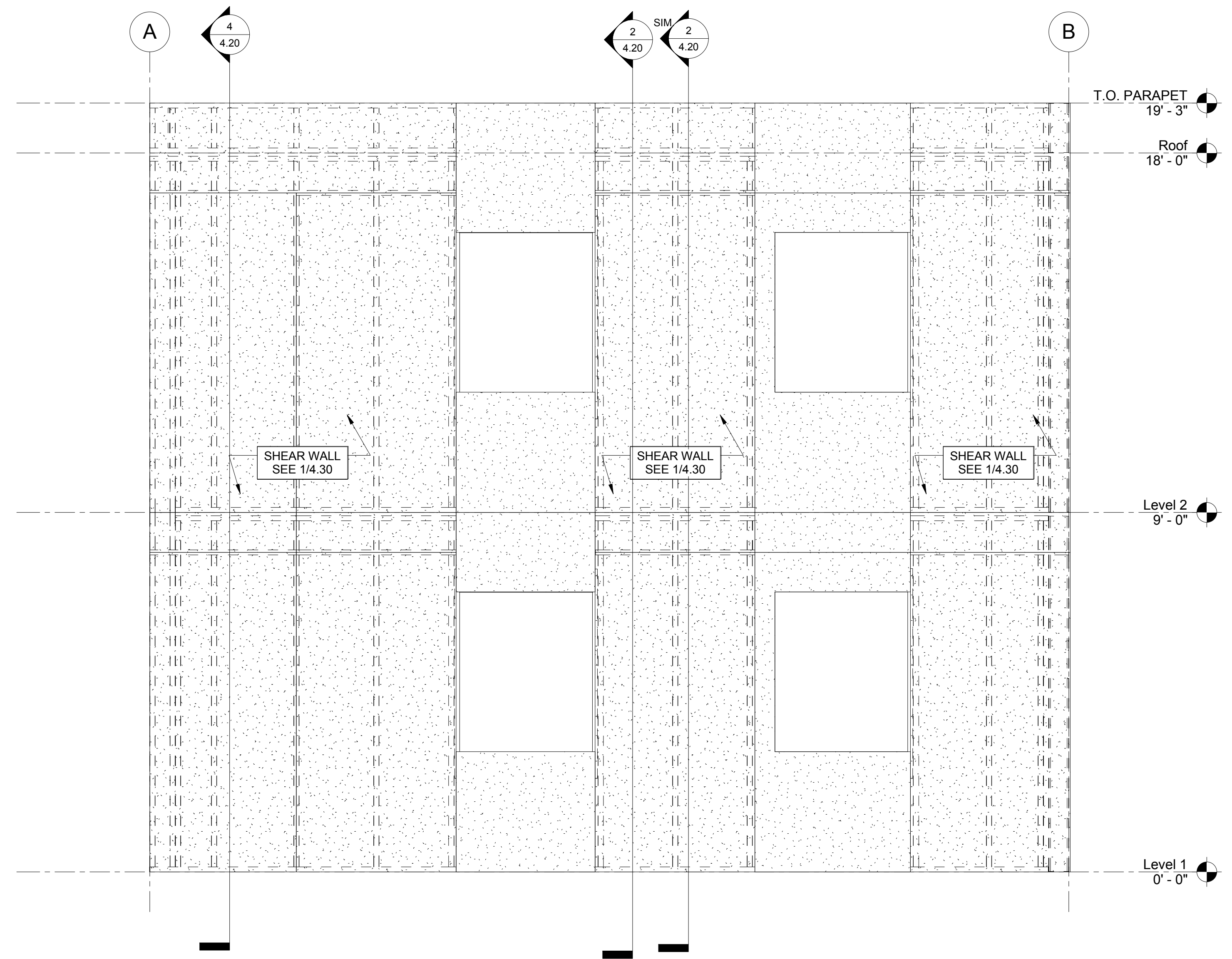
devco
 Corvallis
 Oregon
 engineering inc.
 245 NE CONIFER, P.O. BOX 1211
 CORVALLIS, OR 97339
 WWW.DEVCOENGINEERING.COM

© COPYRIGHT 2009
 DEVCO ENGINEERING, INC.
 ALL RIGHTS RESERVED.

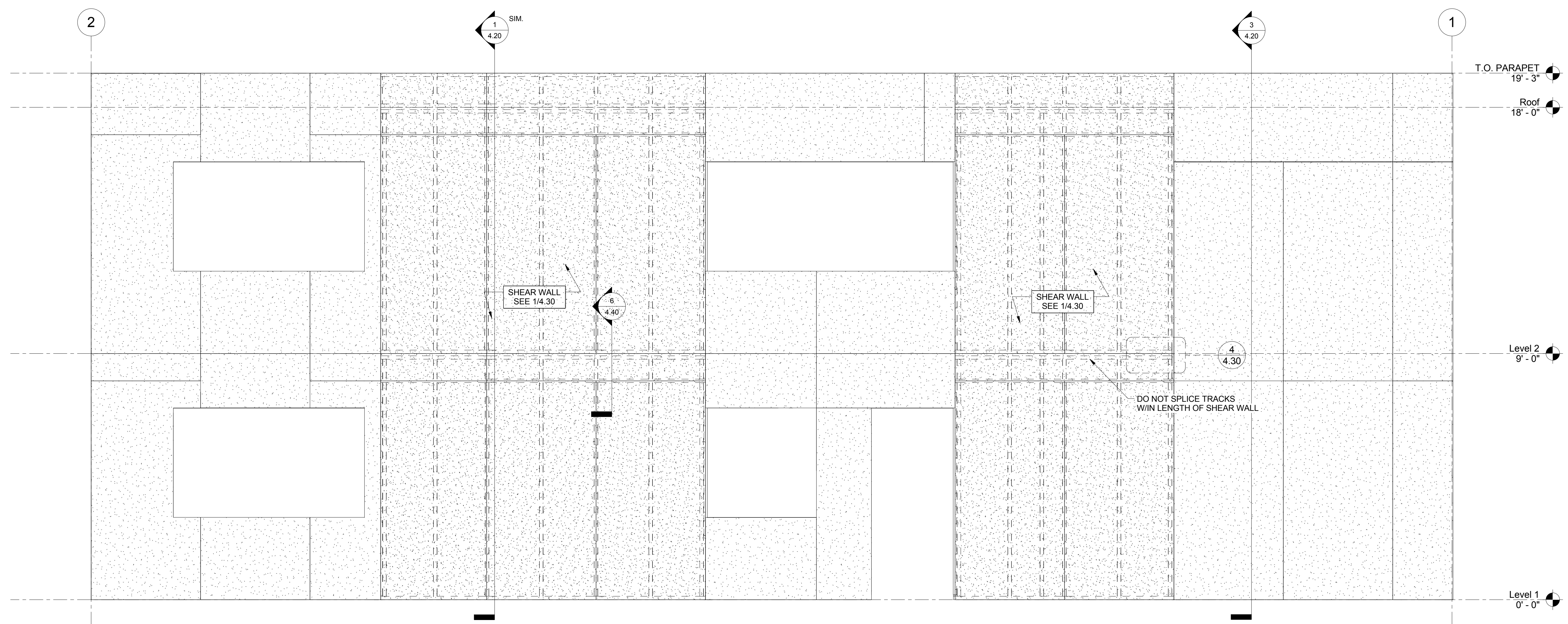
PROJECT: CFS - NEES
 PROJECT LOCATION:
 CLIENT: JOHNS HOPKINS UNIVERSITY

SHEET TITLE:
 LEVEL 2 LAYOUT PLAN - PHASE 2b

JOB NO. 10-277
 DRAWN BY: DEVCO
 DRAWING:
SF 4.04B



2 WEST ELEVATION WITH SHEATHING
1/2" = 1'-0"



1 NORTH ELEVATION WITH SHEATHING
1/2" = 1'-0"

6/19/2013 10:40:28 AM

PRELIMINARY

DRAWING STATUS:	DATE:	NO.:	REVISION:	DATE:
<input checked="" type="checkbox"/> PRELIMINARY	06/19/13			
<input checked="" type="checkbox"/> SUBMITTED				
<input type="checkbox"/> BID SET				
<input type="checkbox"/> PERMIT SET				
<input type="checkbox"/> CONST. SET				

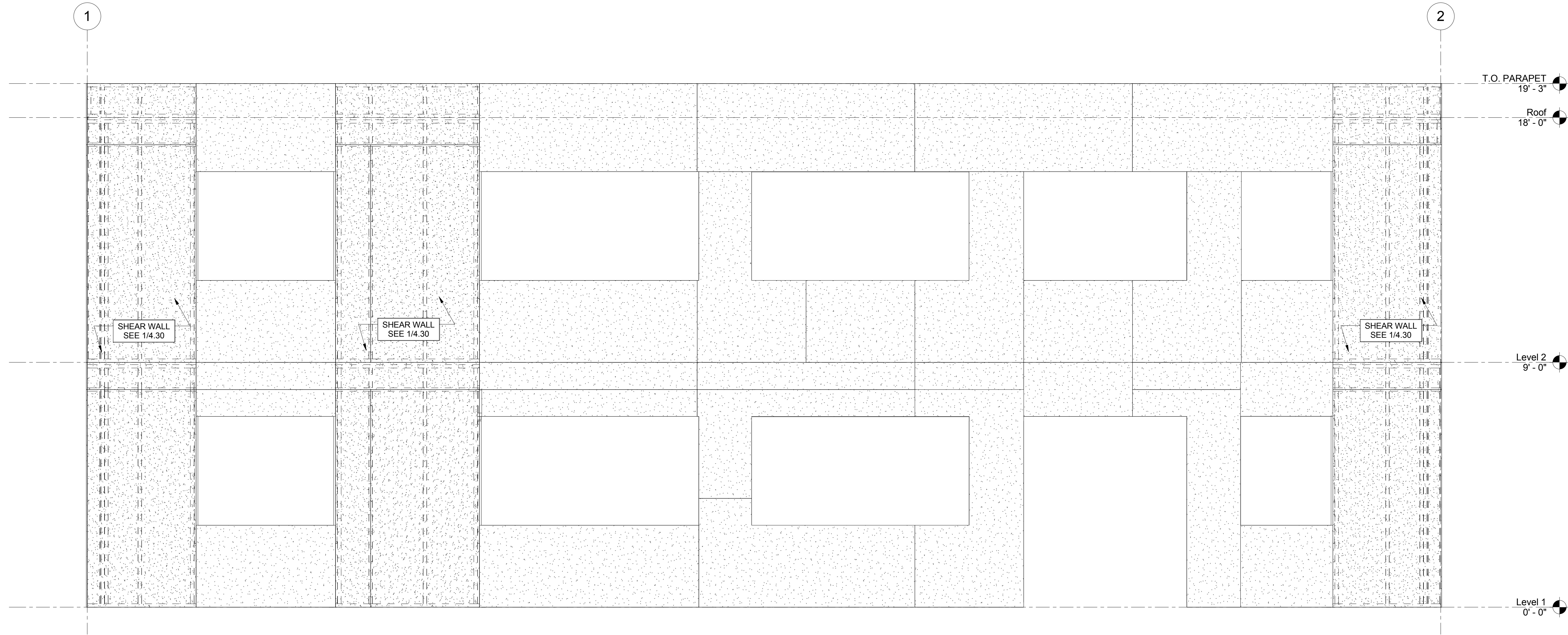

DEVCO
 engineering inc.
 245 NE CONIFER, P.O. BOX 1211
 CORVALLIS, OR 97339
 WWW.DEVCOENGINEERING.COM
 © COPYRIGHT 2009
 DEVCO ENGINEERING, INC.
 ALL RIGHTS RESERVED.

PROJECT: CFS - NEES
 PROJECT LOCATION: JOHNS HOPKINS UNIVERSITY

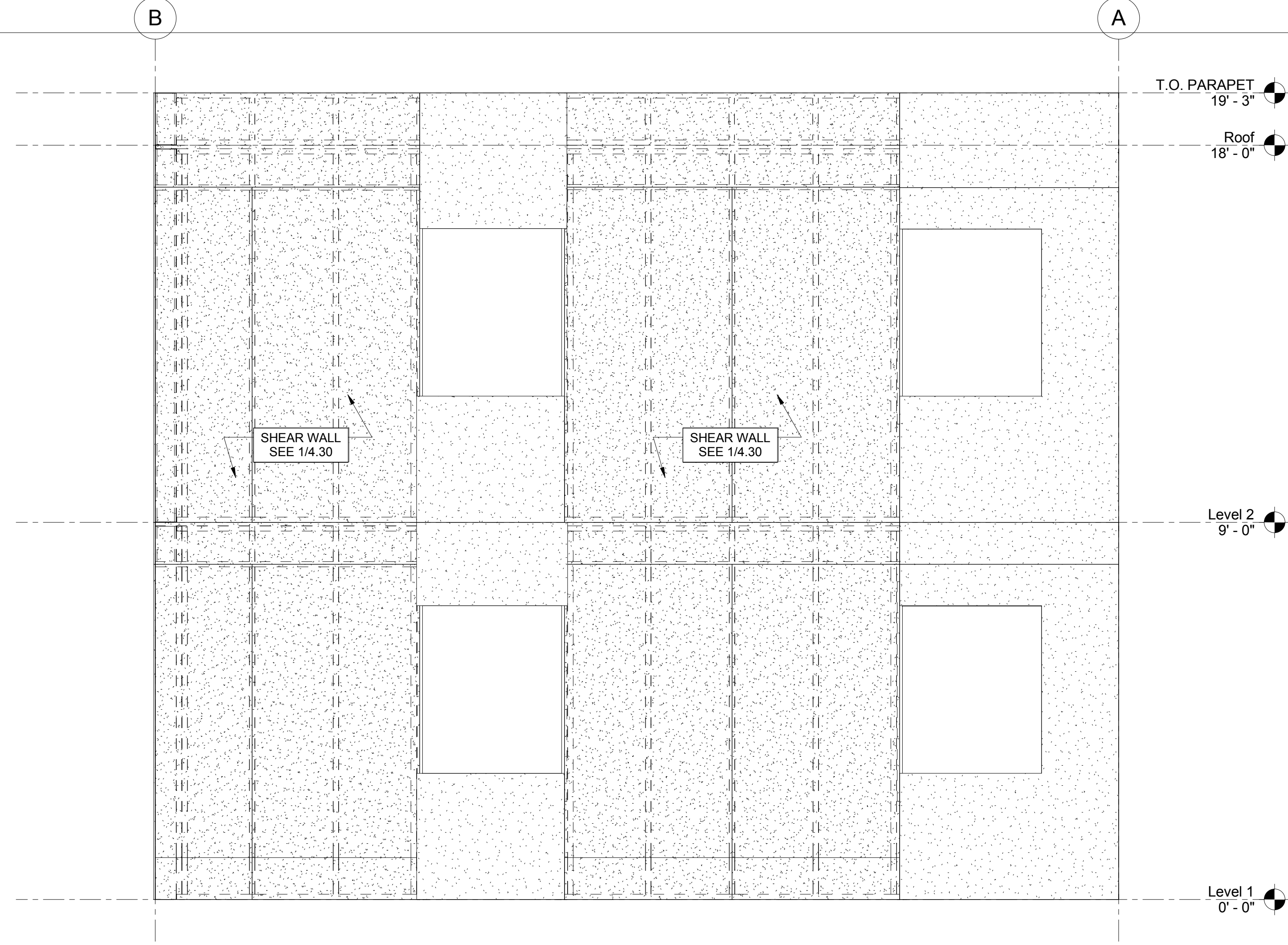
SHEET TITLE:
 ELEVATIONS - PHASE 2

JOB NO. 10-277
 DRAWN BY: DEVCO
 DRAWING:
 SF 4.10A

6/19/2013 10:40:35 AM



1 SOUTH ELEVATION WITH SHEATHING
1/2" = 1'-0"



2 EAST ELEVATION WITH SHEATHING
1/2" = 1'-0"

SHEET TITLE:

ELEVATIONS - PHASE 2

JOB NO. 10-277

DRAWN BY: DEVCO

DRAWING:

SF 4.11A

PROJECT:
CFS - NEES

PROJECT LOCATION:
CORVALLIS, OR 97339

CLIENT:
JOHNS HOPKINS UNIVERSITY

devco
engineering inc.
245 NE CONIFER, P.O. BOX 1211
CORVALLIS, OR 97339
WWW.DEVCOENGINEERING.COM

© COPYRIGHT 2009
DEVCO ENGINEERING, INC.
ALL RIGHTS RESERVED.

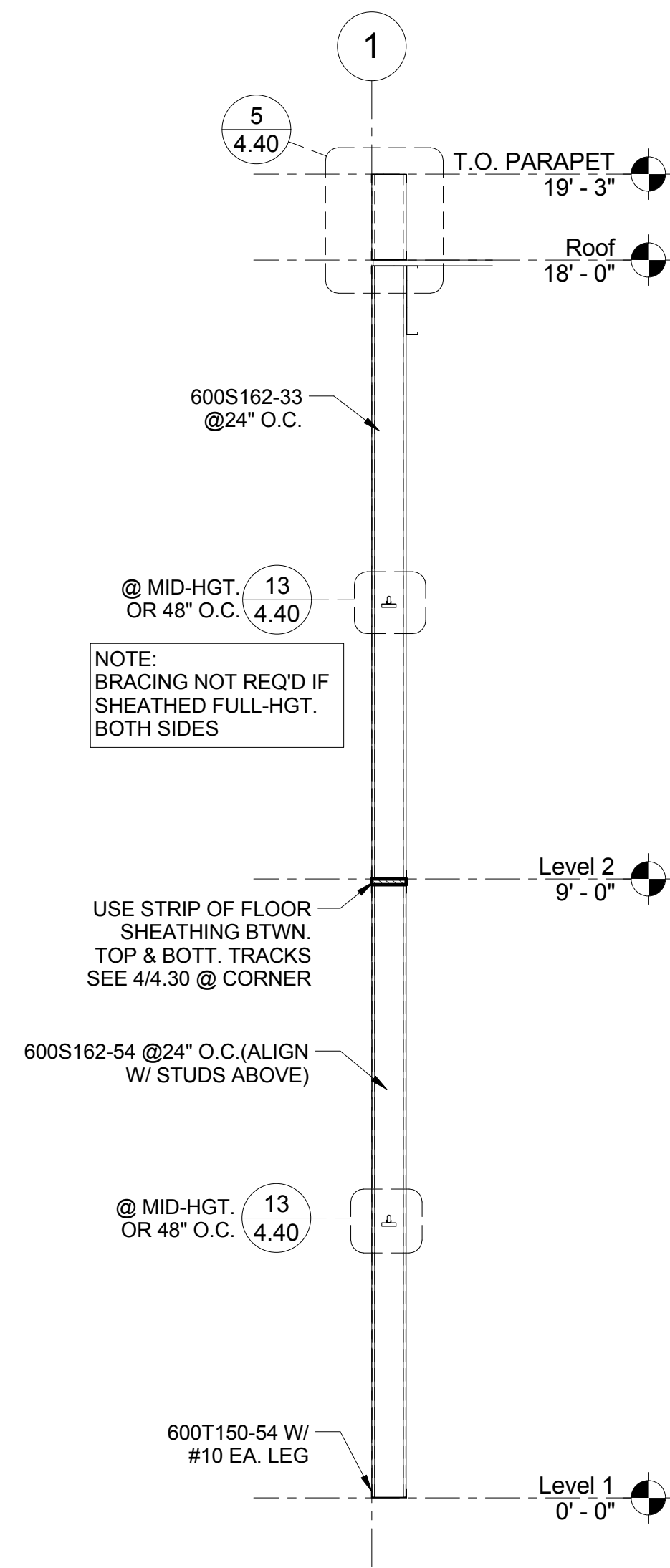
DRAWING STATUS:

<input checked="" type="checkbox"/> PRELIMINARY	DATE: 06/19/13
<input checked="" type="checkbox"/> SUBMITTED	
<input type="checkbox"/> BID SET	
<input type="checkbox"/> PERMIT SET	
<input type="checkbox"/> CONST. SET	

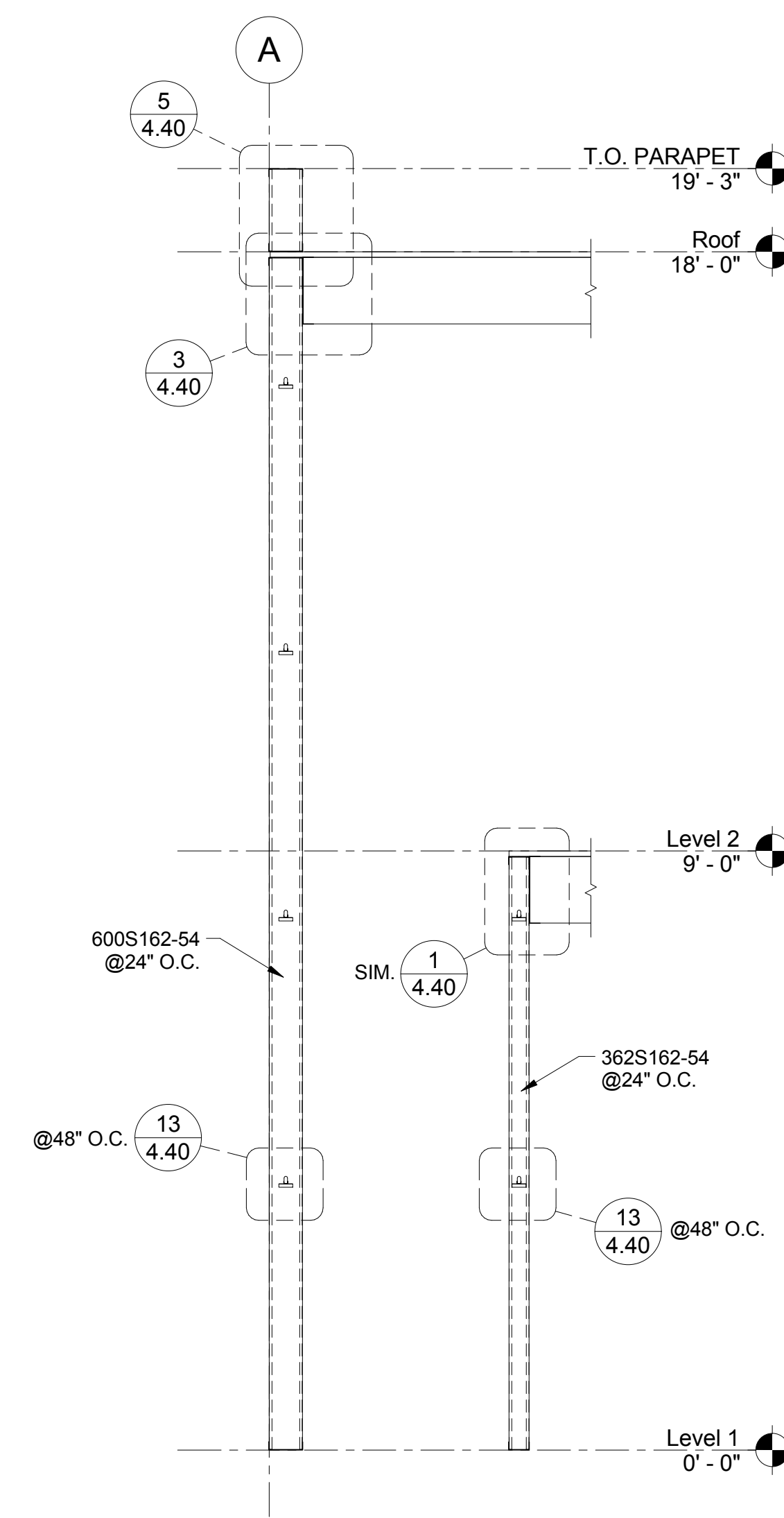
REVISION:

DATE:

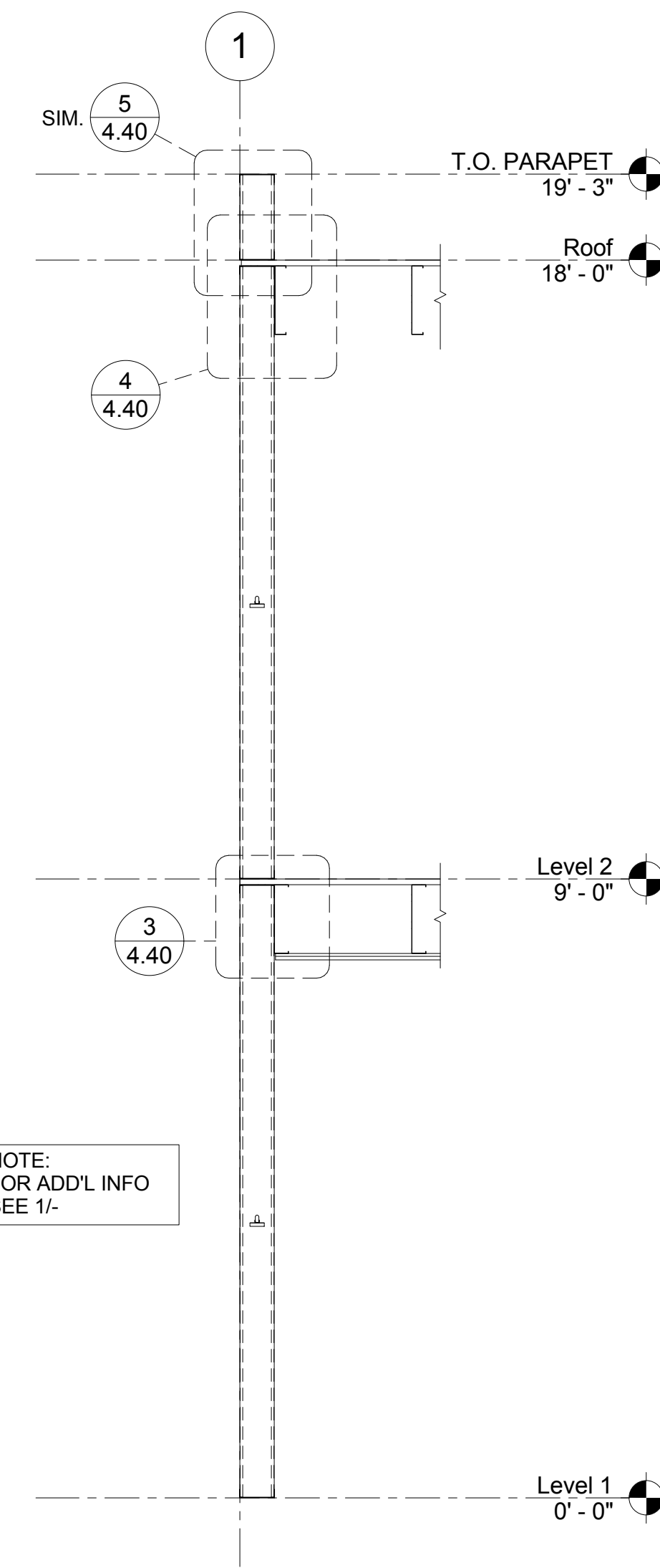
PRELIMINARY



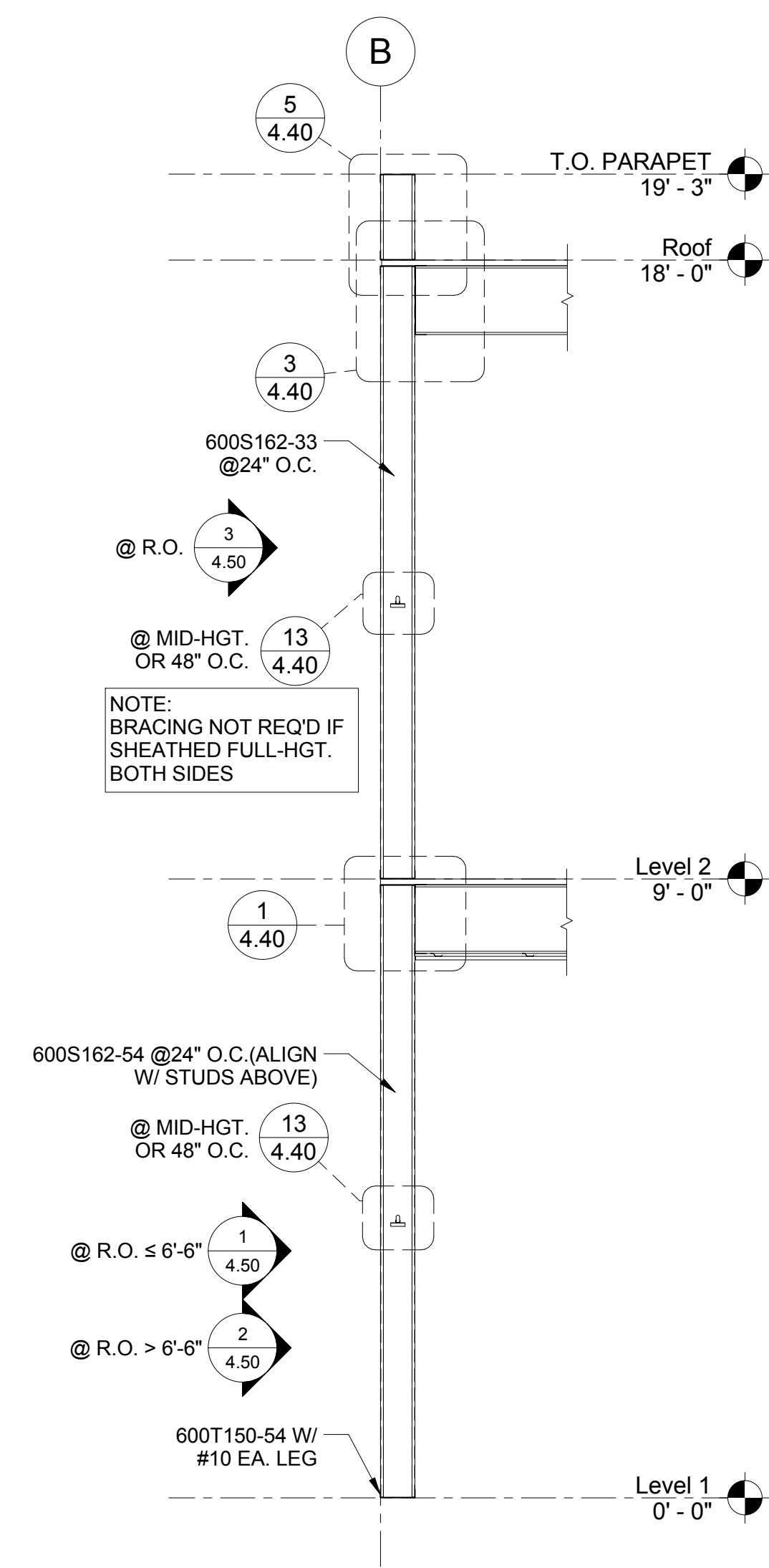
4 WALL SECTION 4
1/2" = 1'-0"



3 WALL SECTION 3
1/2" = 1'-0"



2 WALL SECTION 2
1/2" = 1'-0"



1 WALL SECTION 1
1/2" = 1'-0"

SHEET TITLE:

WALL SECTIONS

PROJECT:
CFS - NEES

PROJECT LOCATION:

CLIENT:
JOHNS HOPKINS UNIVERSITY

JOB NO. 10-277

DRAWN BY: DEVCO

DRAWING:

SF 4.20

devco
engineering inc.
245 NE CONIFER, P.O. BOX 1211
CORVALLIS, OR 97339
WWW.DEVCOENGINEERING.COM

Corvallis
Oregon
(541) 752-8991

© COPYRIGHT 2009
DEVCO ENGINEERING, INC.
ALL RIGHTS RESERVED.

DRAWING STATUS:

PRELIMINARY
 SUBMITTED
 BID SET
 PERMIT SET
 CONST. SET

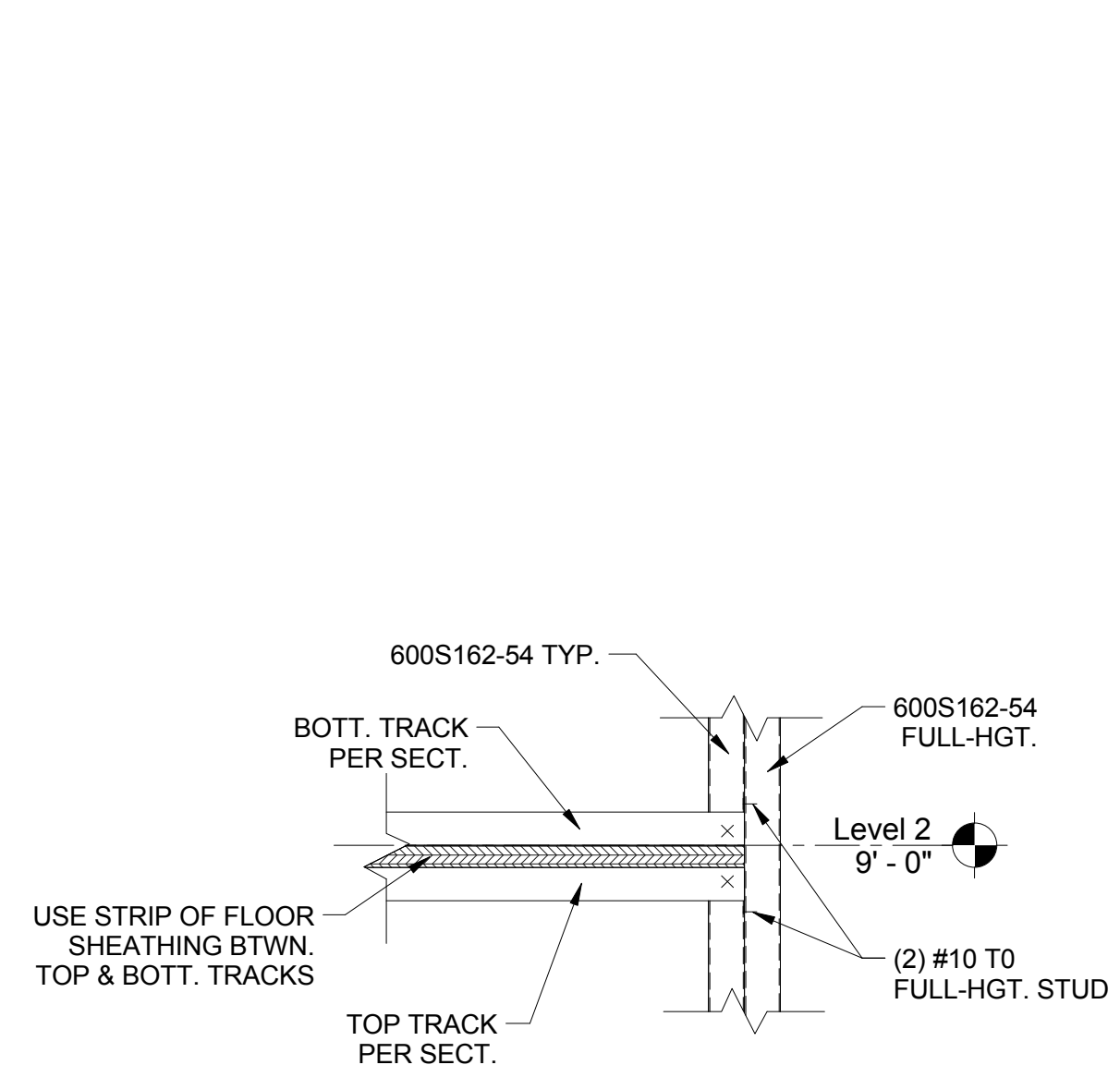
DATE:

06/19/13

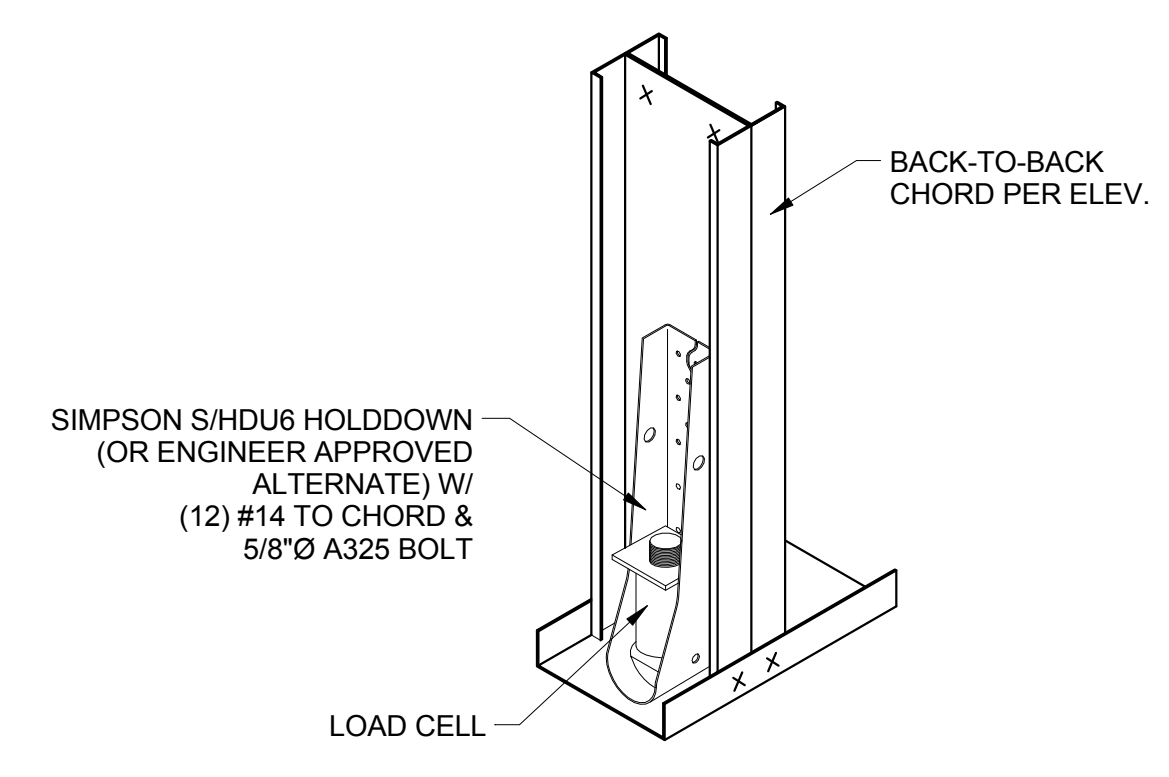
REVISION:

DATE:

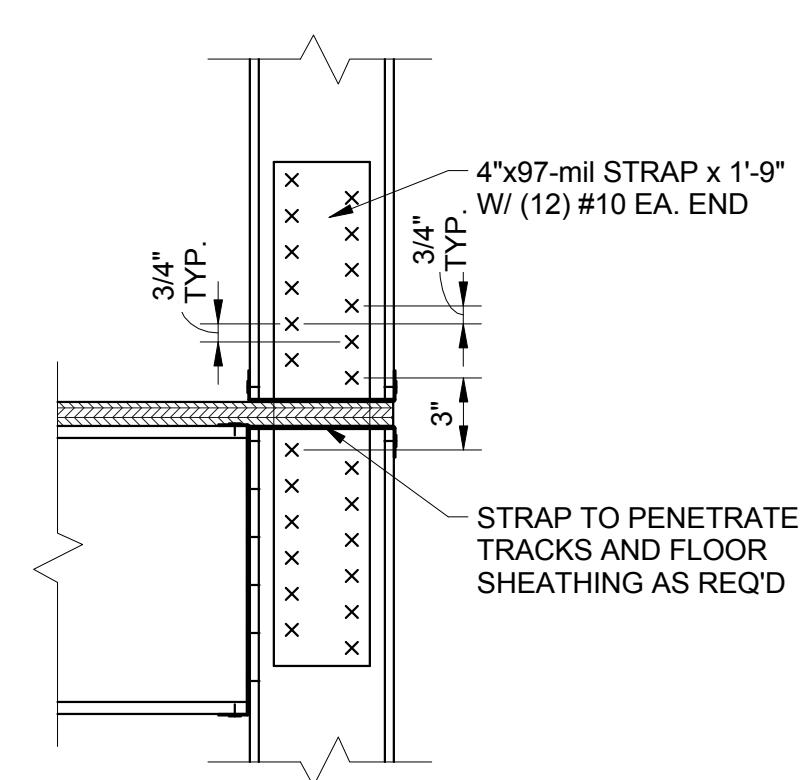
PRELIMINARY



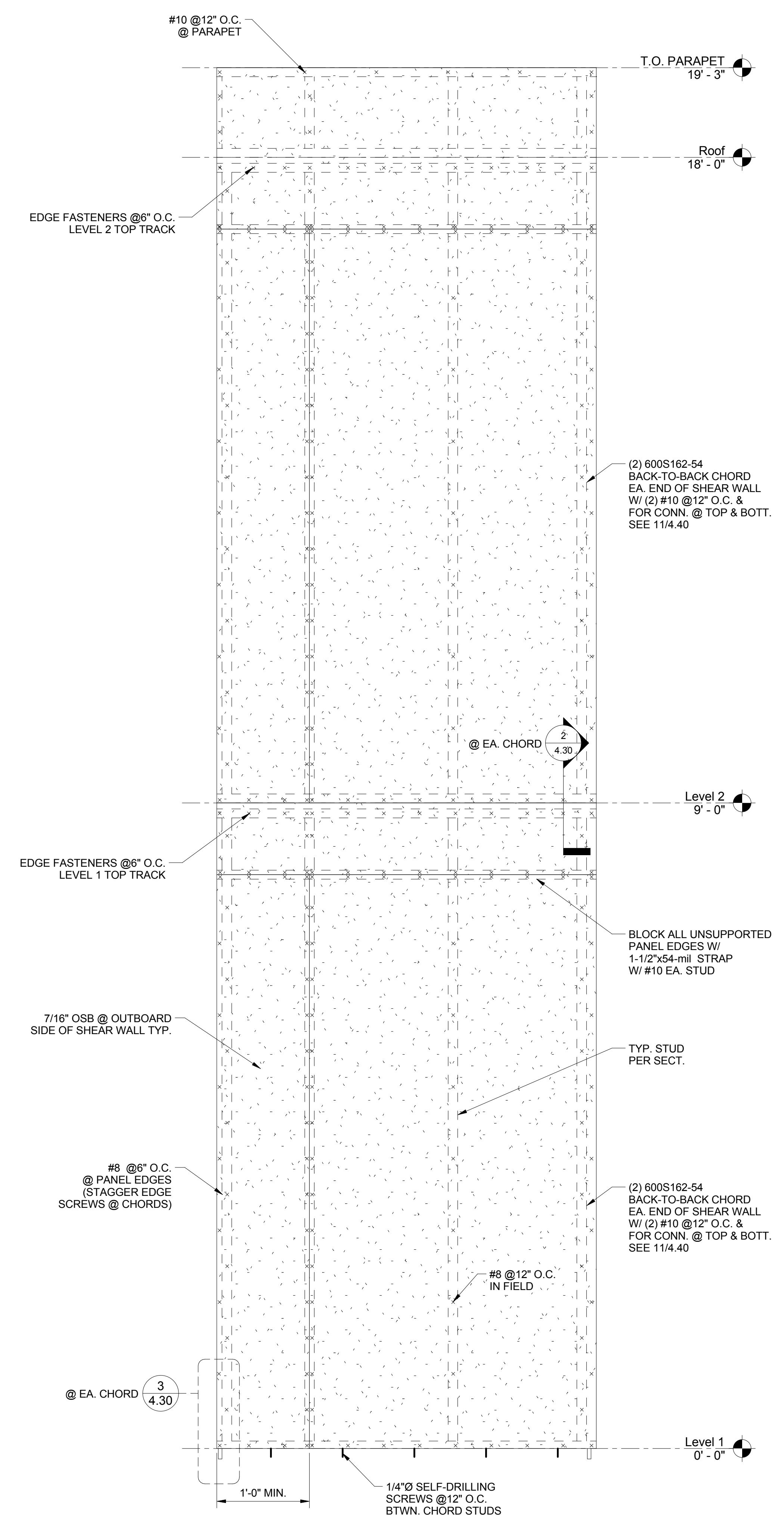
4 ENLARGED VIEW @ SHEAR WALL
 1 1/2" = 1'-0"



3 SHEAR WALL HOLDOWNS
 1 1/2" = 1'-0"



2 SHEAR WALL LEVEL 2 TIE
 1 1/2" = 1'-0"



1 SHEAR WALL TYPE I ELEVATION
 1" = 1'-0"

PRELIMINARY

DRAWING STATUS:	DATE:	REVISION:	DATE:
<input checked="" type="checkbox"/> PRELIMINARY	06/19/13		
<input type="checkbox"/> SUBMITTED			
<input type="checkbox"/> BID SET			
<input type="checkbox"/> PERMIT SET			
<input type="checkbox"/> CONST. SET			

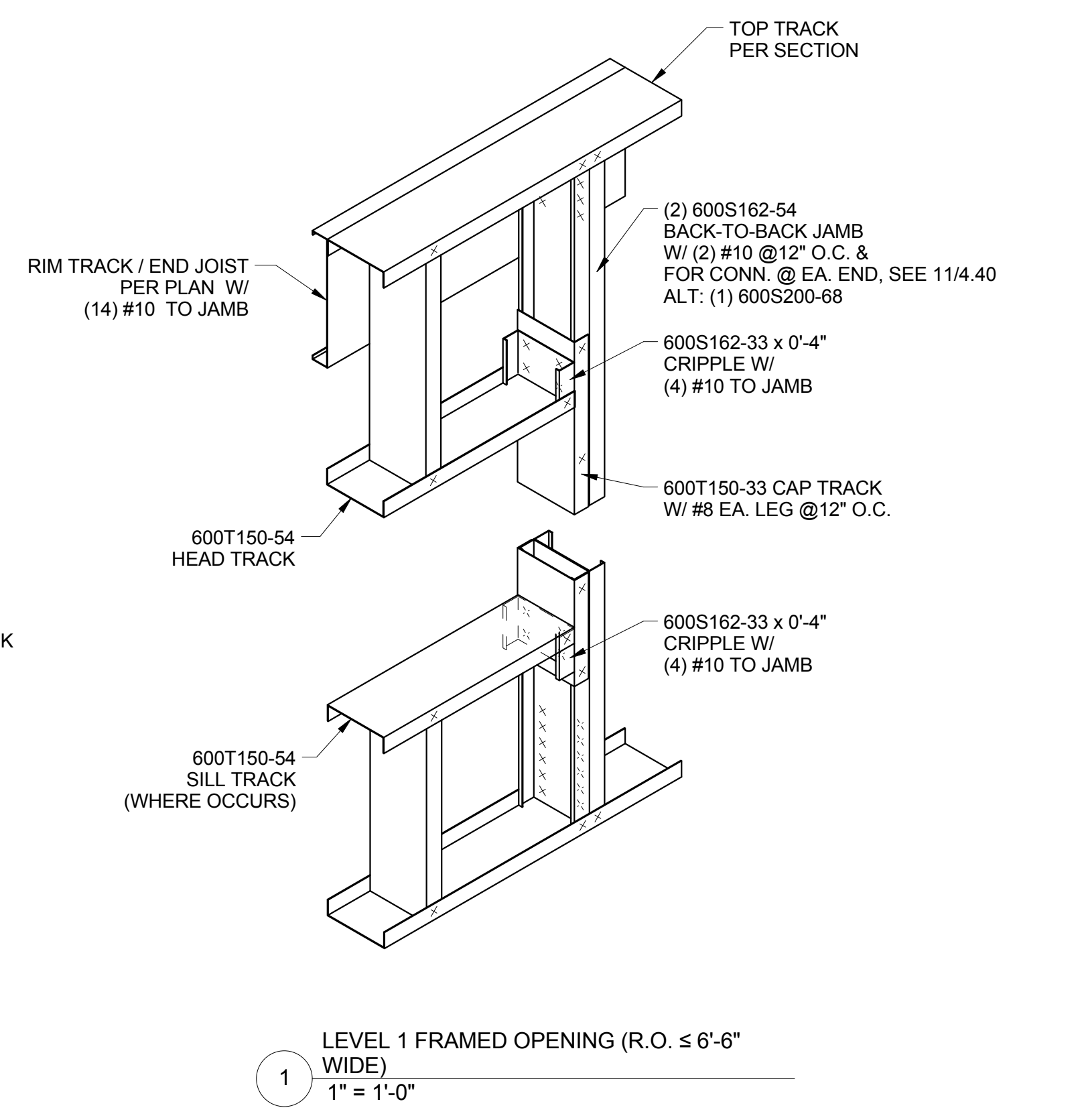
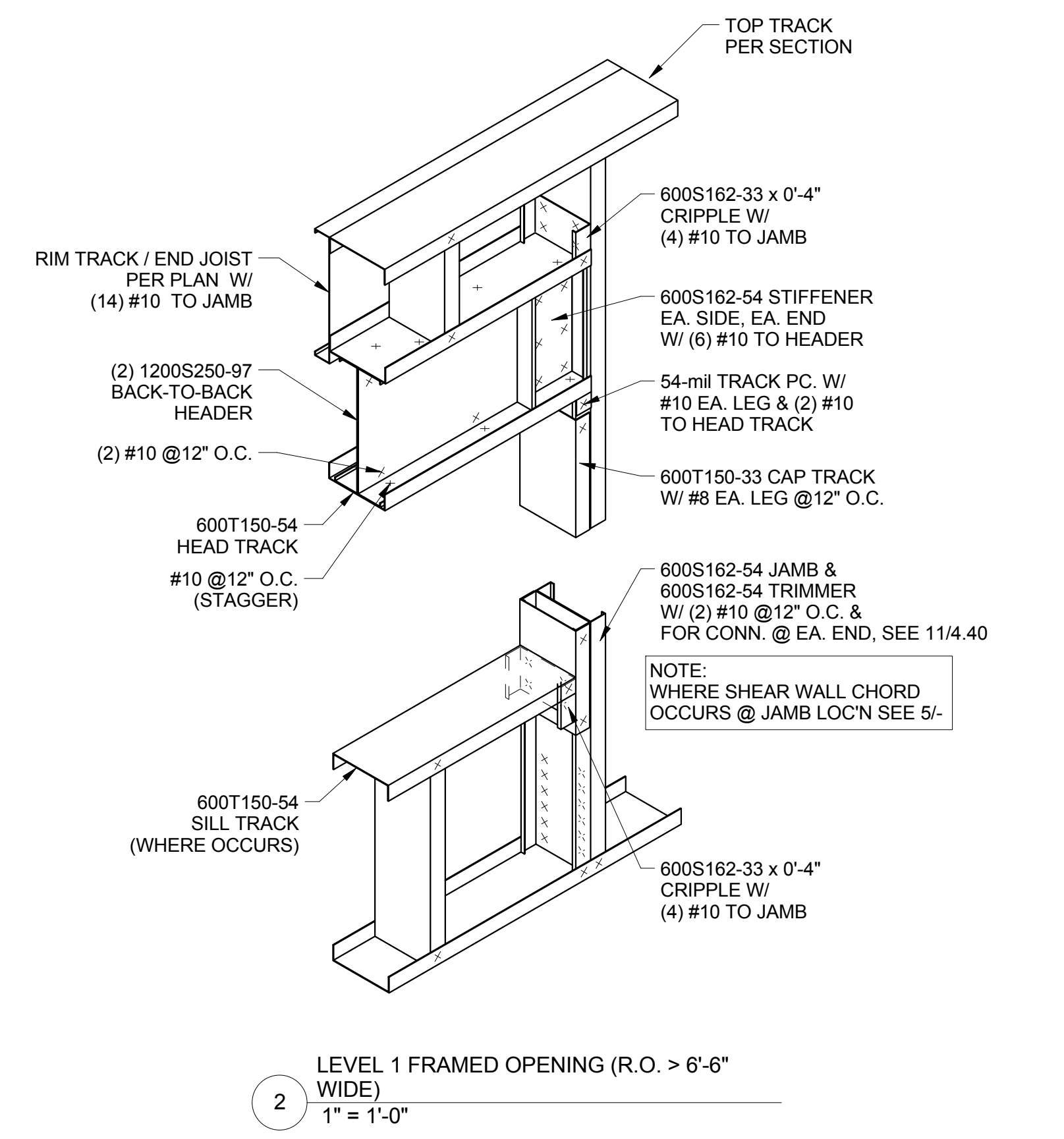
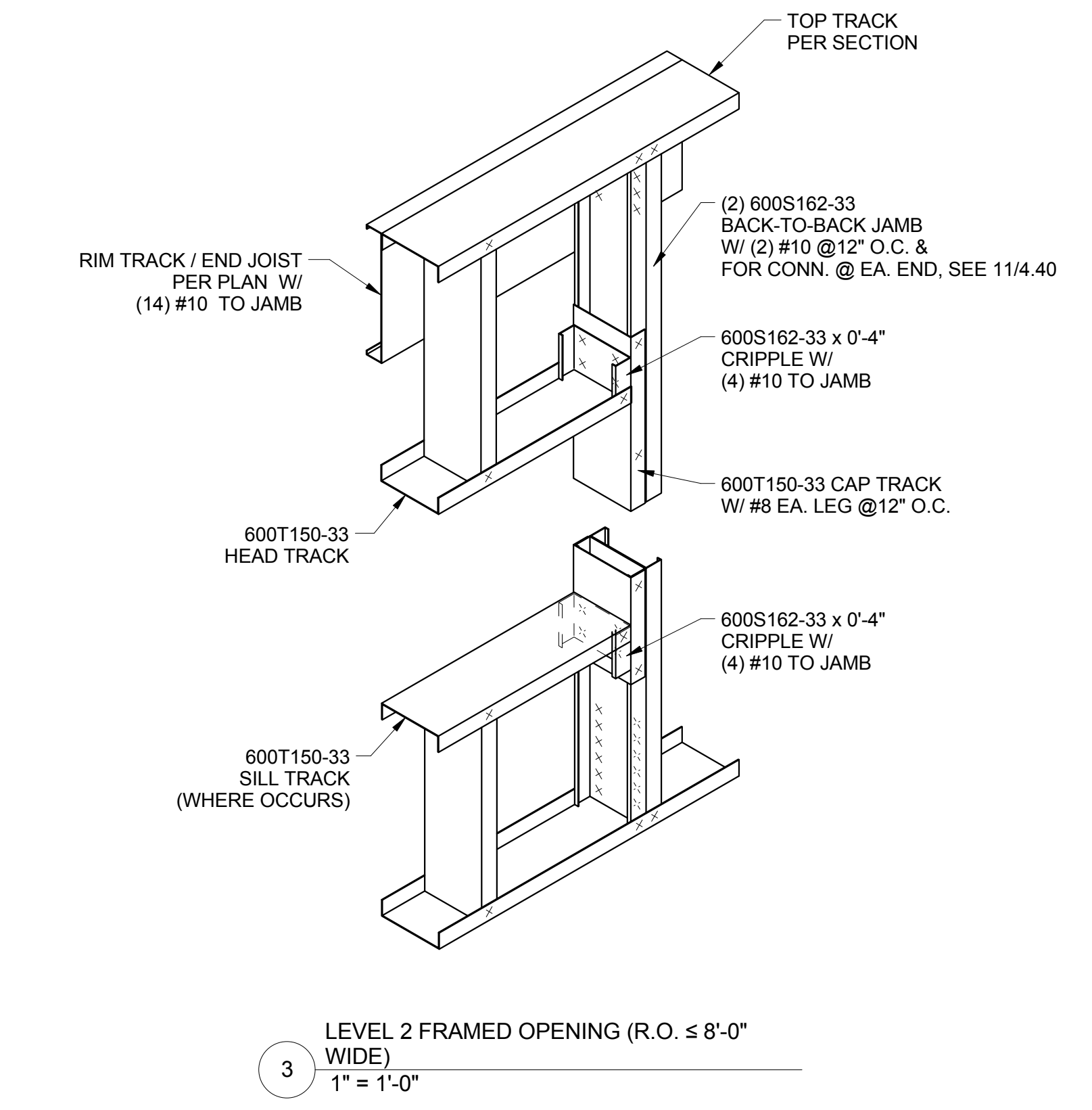
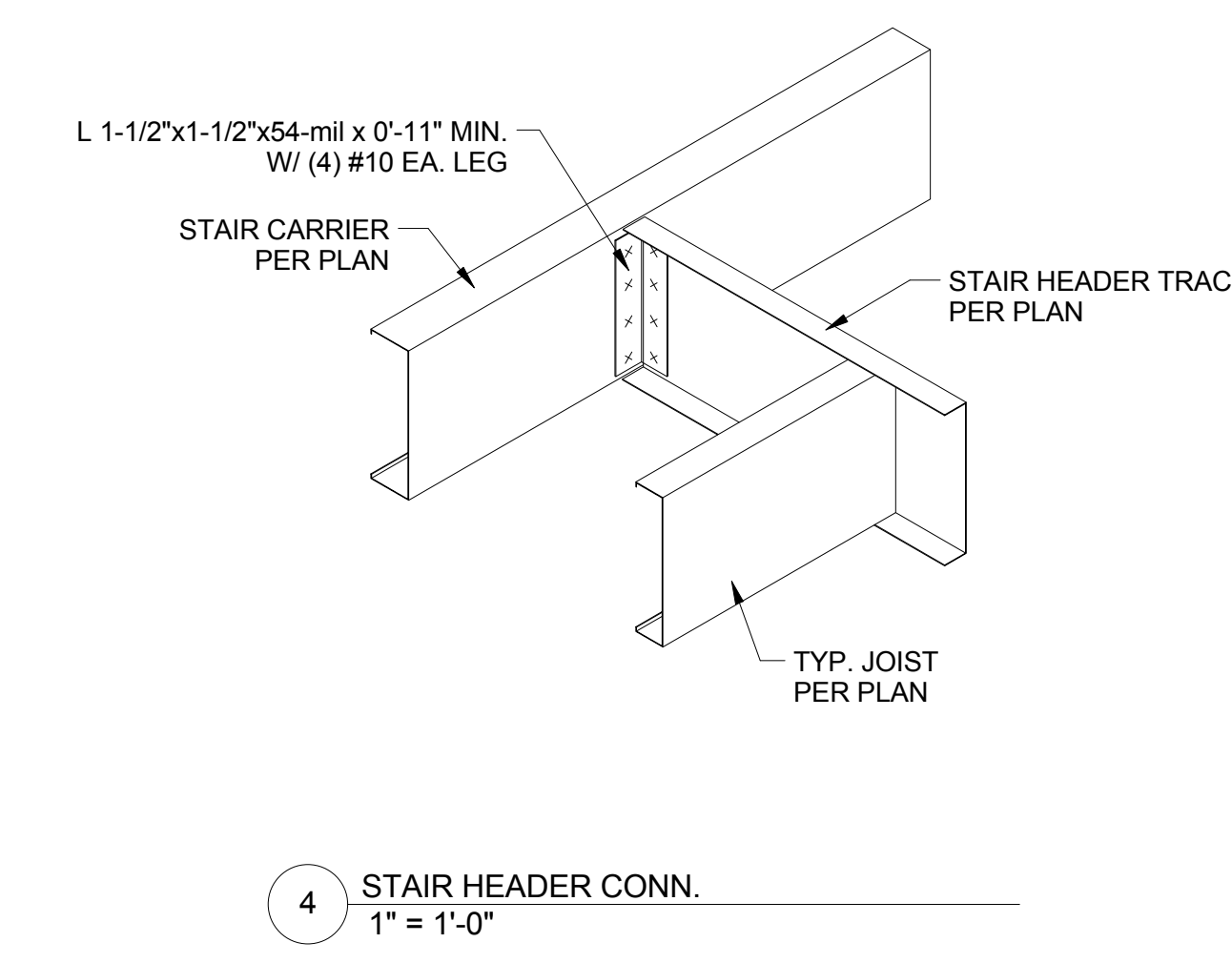
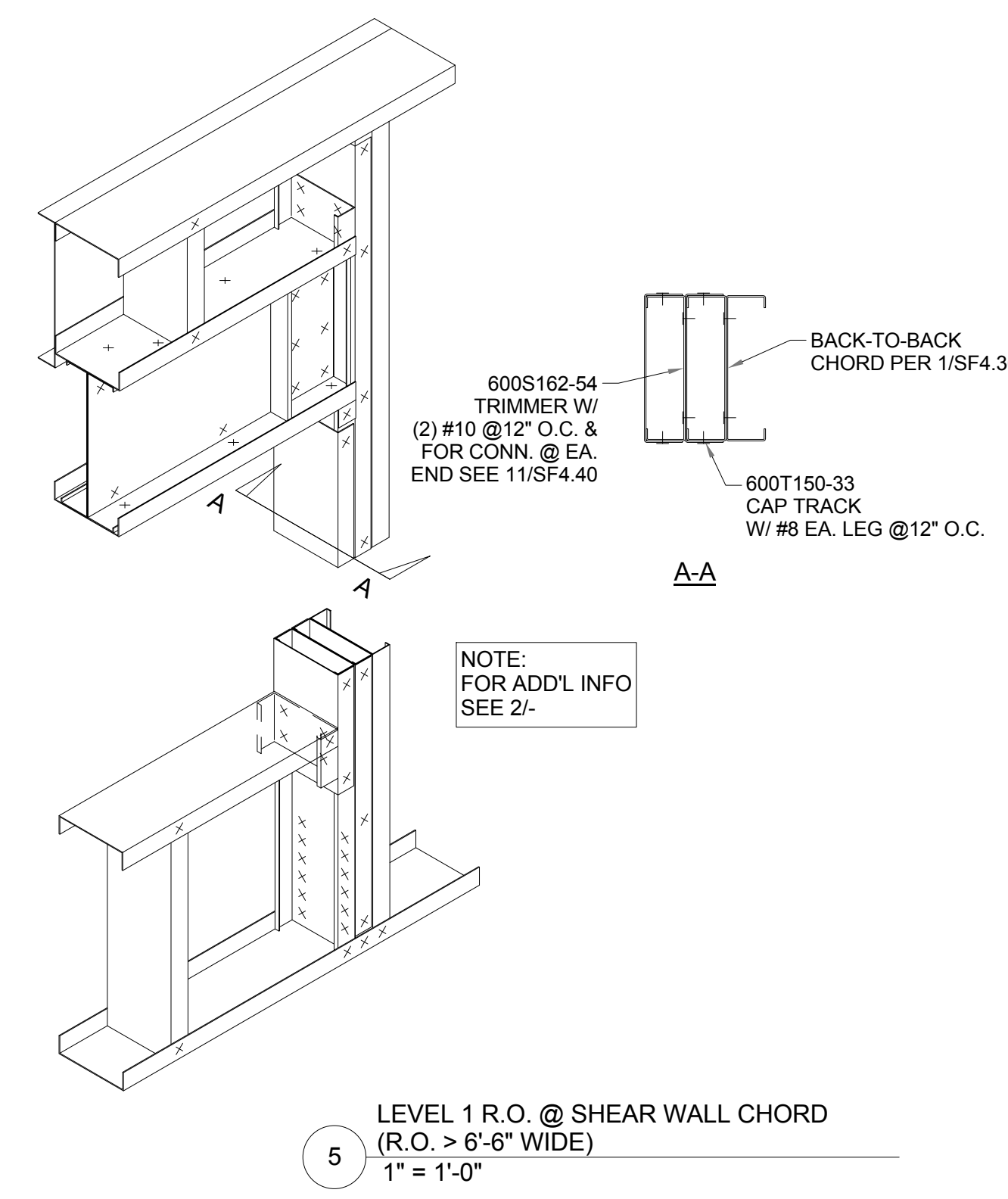
Corvallis Oregon
 devco engineering inc. (541) 752-8991
 245 NE CONIFER, P.O. BOX 1211
 CORVALLIS, OR 97339
 WWW.DEVCOENGINEERING.COM
 © COPYRIGHT 2009
 DEVCO ENGINEERING, INC.
 ALL RIGHTS RESERVED.

PROJECT: CFS - NEES
 PROJECT LOCATION:
 CLIENT: JOHNS HOPKINS UNIVERSITY

SHEET TITLE:
 SHEAR WALL ELEVATIONS

JOB NO. 10-277
 DRAWN BY: DEVCO
 DRAWING:
 SF 4.30

6/19/2013 10:40:40 AM



PRELIMINARY

DRAWING STATUS:	DATE:	REVISION:
<input checked="" type="checkbox"/> PRELIMINARY	06/19/13	
<input type="checkbox"/> SUBMITTED		
<input type="checkbox"/> BID SET		
<input type="checkbox"/> PERMIT SET		
<input type="checkbox"/> CONST. SET		

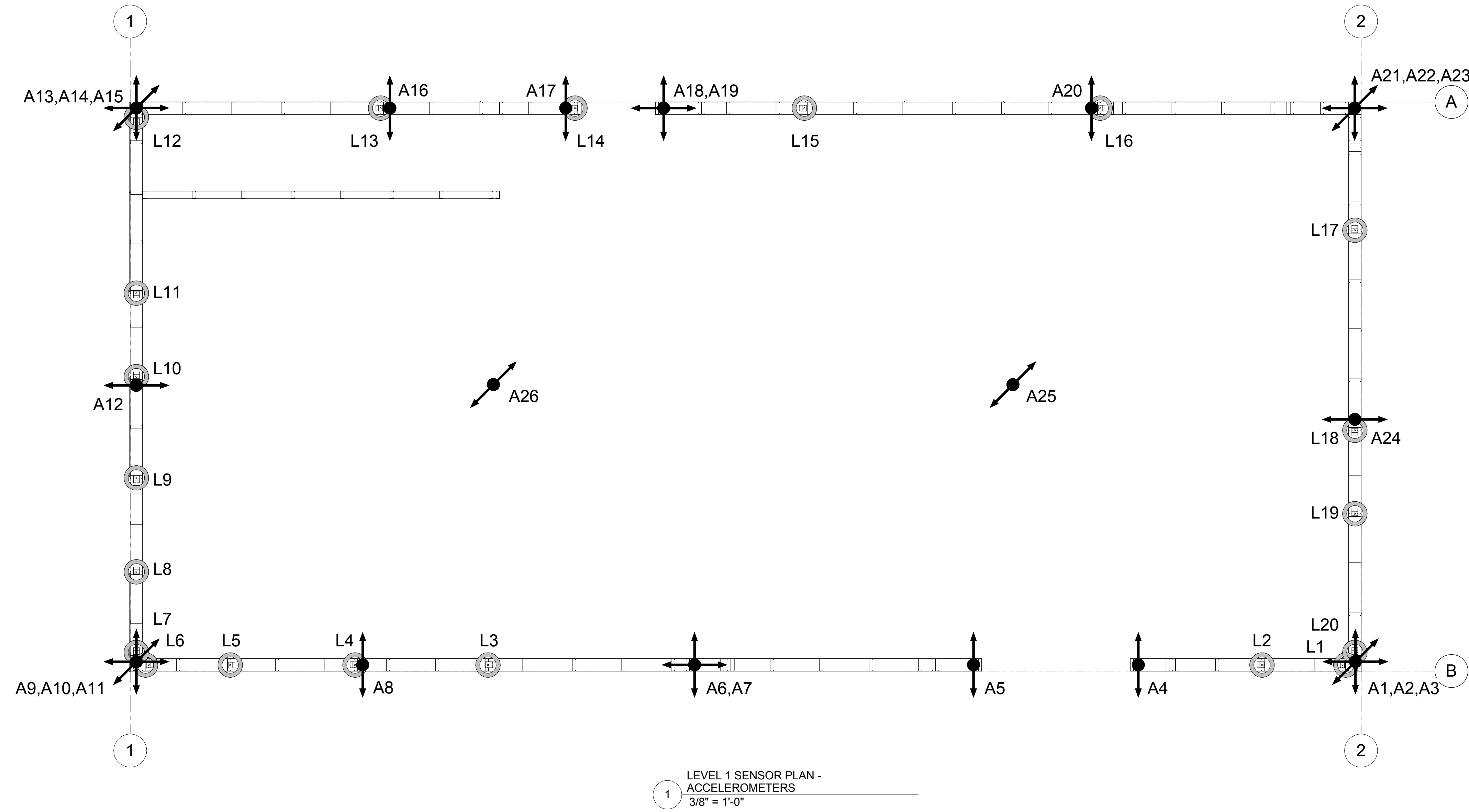
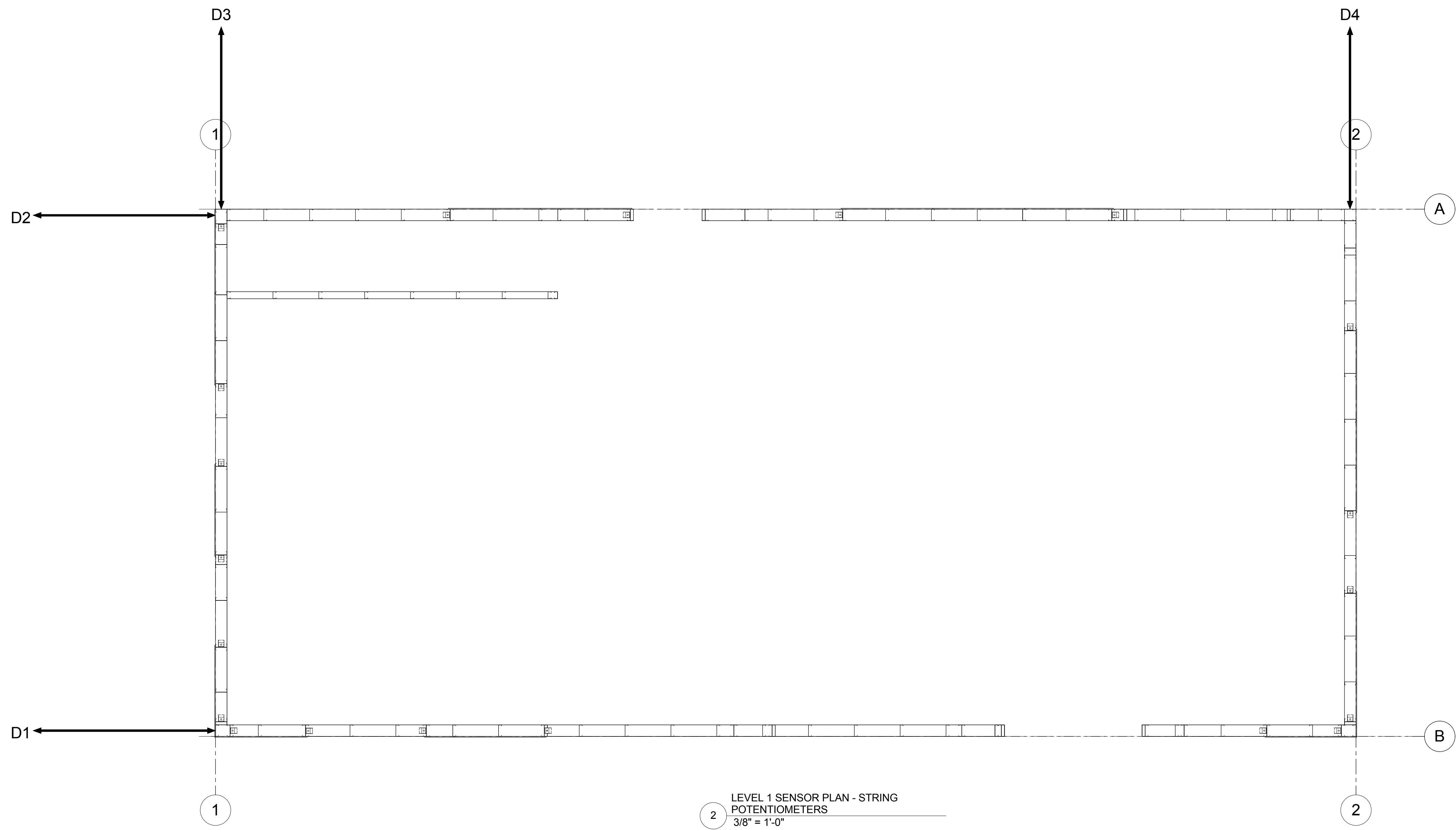
PROJECT: CFS - NEES
PROJECT LOCATION:
CLIENT: JOHNS HOPKINS UNIVERSITY

SHEET TITLE: FRAMED OPENING DETAILS

JOB NO.: 10-277
DRAWN BY: DEVCO
DRAWING: SF 4.50

devco
 engineering inc.
 245 NE CONIFER, P.O. BOX 1211
 CORVALLIS, OR 97339
 WWW.DEVCOENGINEERING.COM
 © COPYRIGHT 2009
 DEVCO ENGINEERING, INC.
 ALL RIGHTS RESERVED.

6/19/2013 10:40:44 AM



PRELIMINARY

DRAWING STATUS:	DATE:	No.	REVISION:	DATE:
<input checked="" type="checkbox"/> PRELIMINARY	06/12/13	1		
<input checked="" type="checkbox"/> SUBMITTED				
<input type="checkbox"/> BID SET				
<input type="checkbox"/> PERMIT SET				
<input type="checkbox"/> CONST. SET				

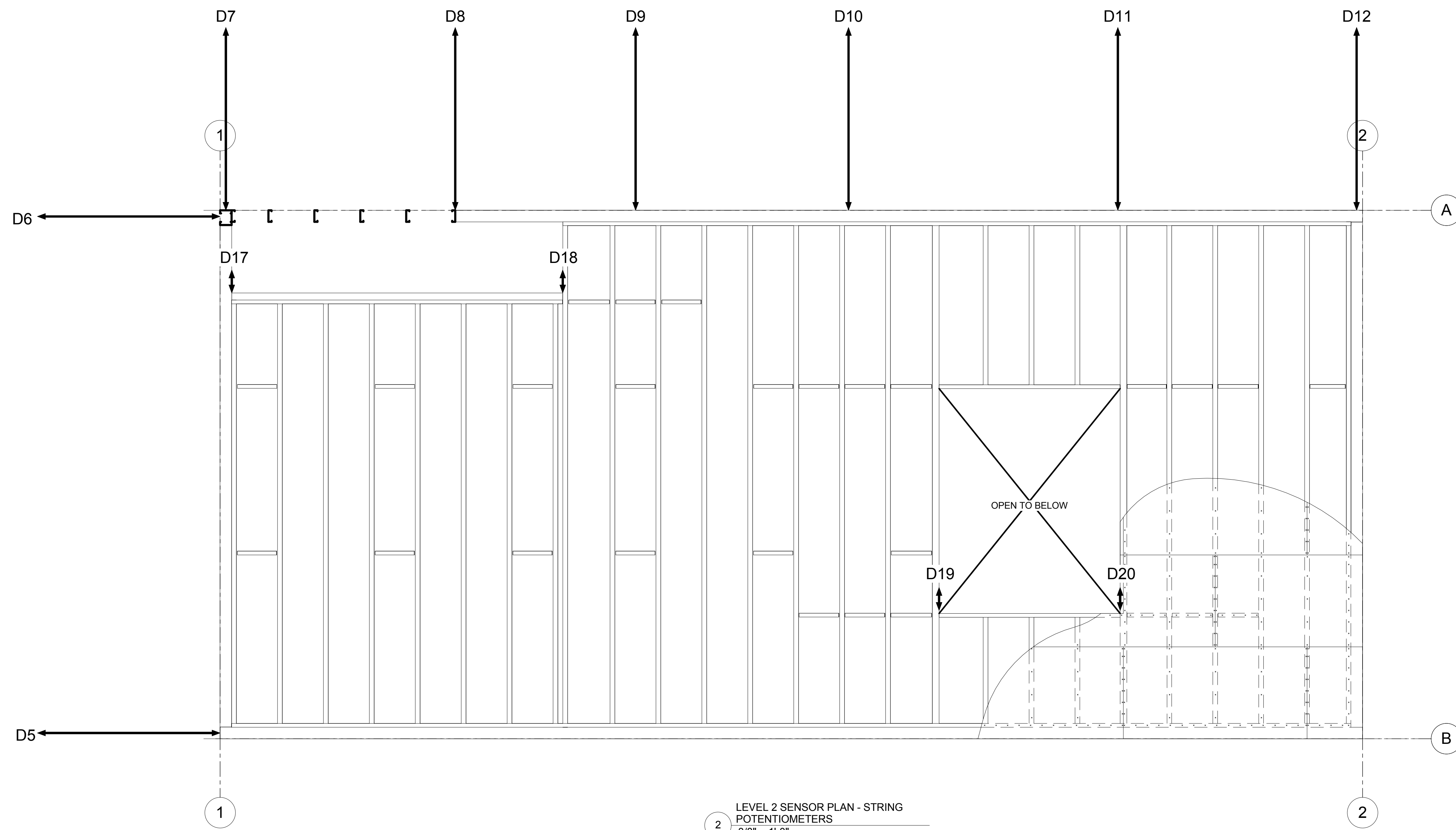
devco
 engineering inc.
 245 NE CONIFER, P.O. BOX 1211
 CORVALLIS, OR 97339
 WWW.DEVCOENGINEERING.COM

© COPYRIGHT 2009
 DEVCO ENGINEERING, INC.
 ALL RIGHTS RESERVED.

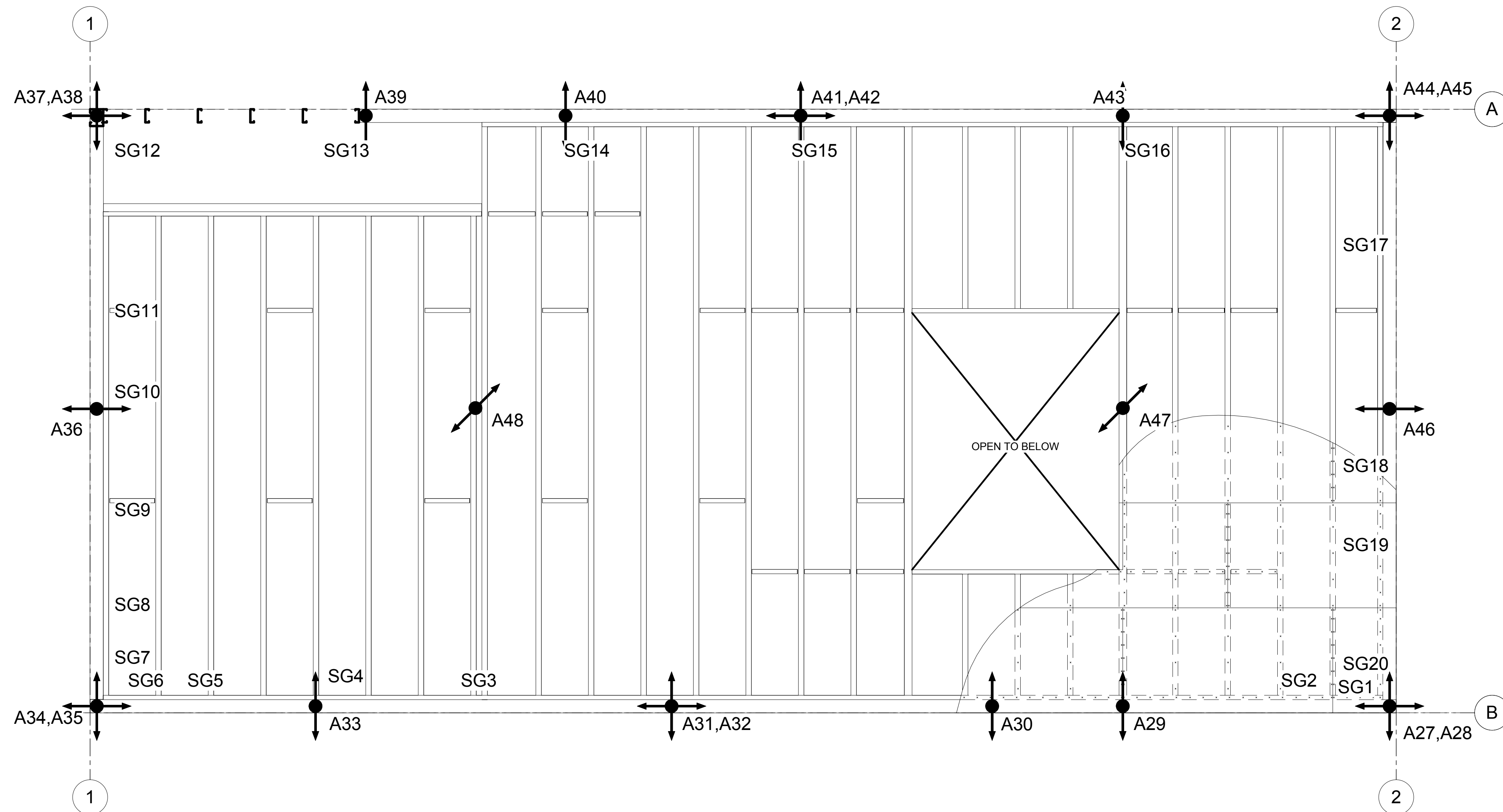
PROJECT: CFS - NEES
 PROJECT LOCATION:
 CLIENT: JOHNS HOPKINS UNIVERSITY

SHEET TITLE:
 LEVEL 1 SENSOR PLANS

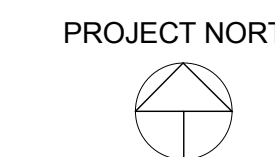
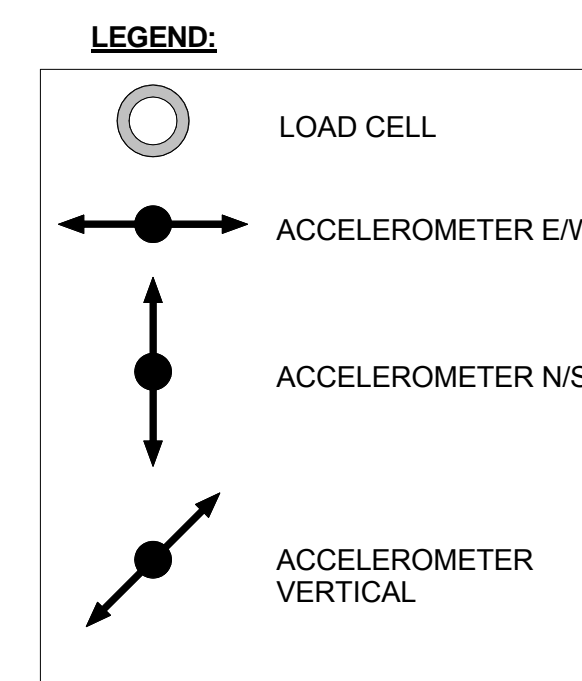
JOB NO. 10-277
 DRAWN BY: DEVCO
 DRAWING:
SF 6.00



2 LEVEL 2 SENSOR PLAN - STRING POTENTIOMETERS
3/8" = 1'-0"



1 LEVEL 2 SENSOR PLAN - ACCELEROMETERS
3/8" = 1'-0"



6/19/2013 10:40:45 AM

PRELIMINARY

DRAWING STATUS:	DATE:	NO.:	REVISION:	DATE:
<input checked="" type="checkbox"/> PRELIMINARY	06/12/13	1		
<input checked="" type="checkbox"/> SUBMITTED		2		
<input type="checkbox"/> BID SET		3		
<input type="checkbox"/> PERMIT SET		4		
<input type="checkbox"/> CONST. SET		5		

devco
 engineering inc.
 245 NE CONIFER, P.O. BOX 1211
 CORVALLIS, OR 97339
 WWW.DEVCOENGINEERING.COM

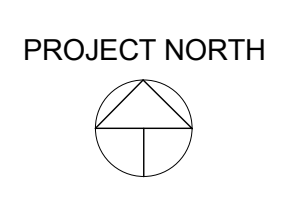
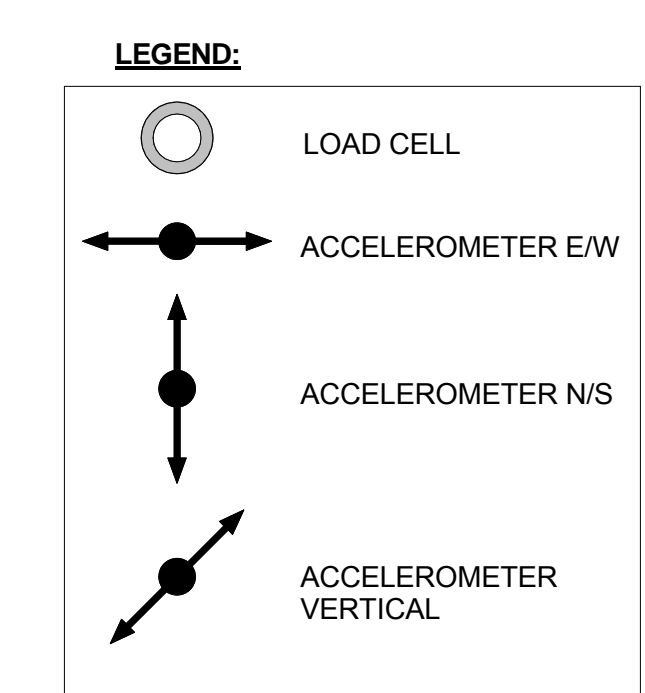
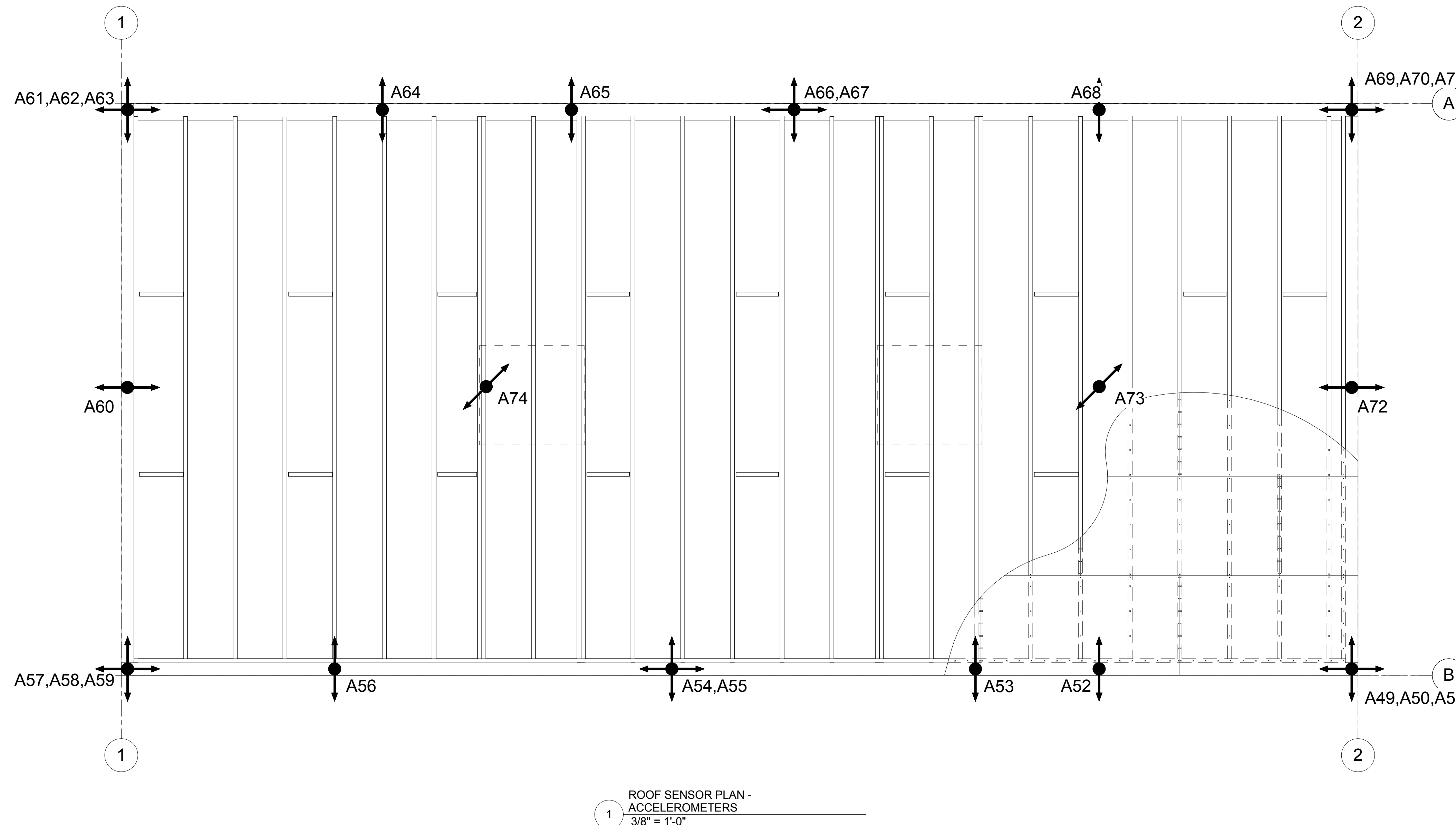
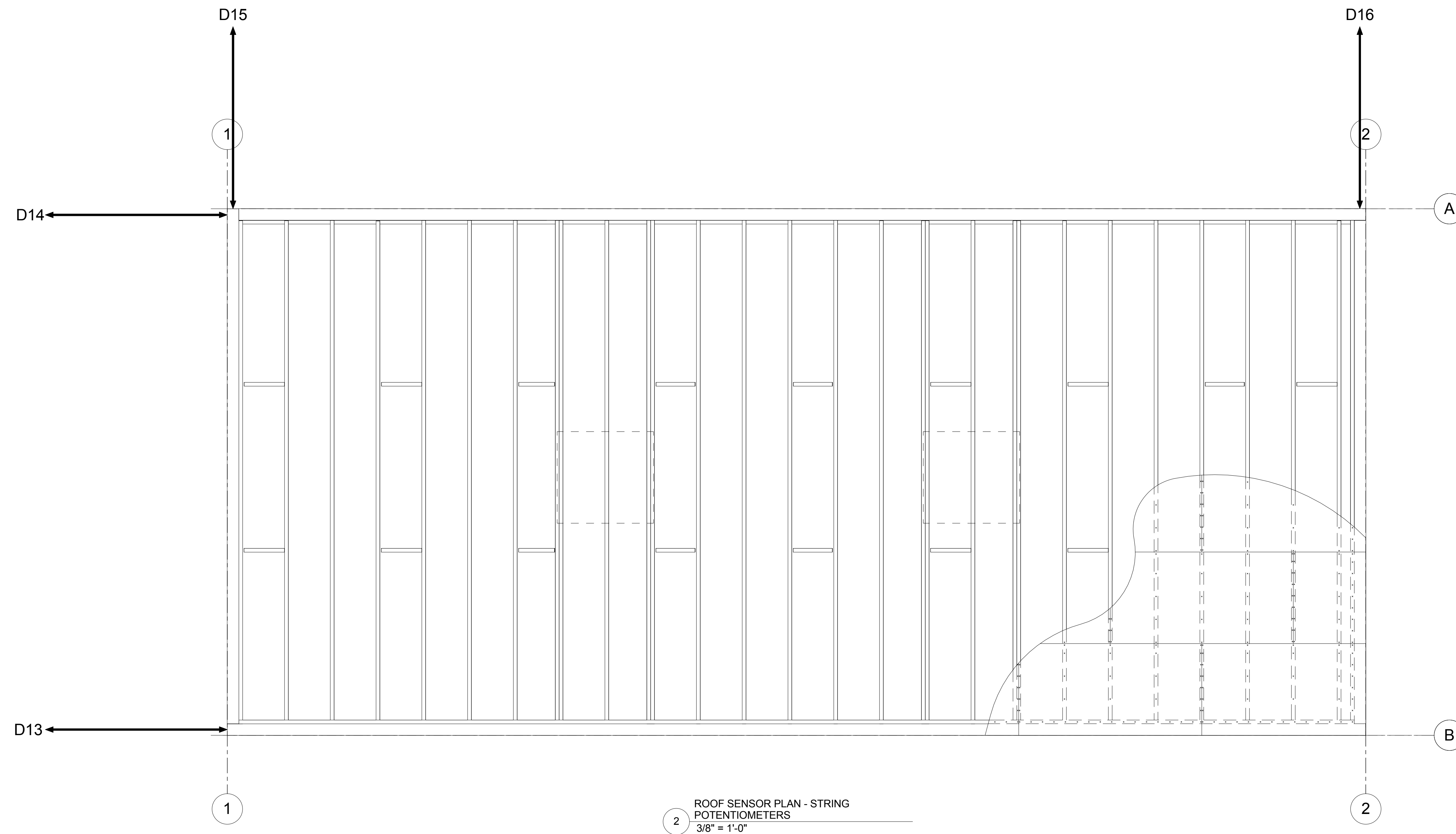
© COPYRIGHT 2009
 DEVCO ENGINEERING, INC.
 ALL RIGHTS RESERVED.

PROJECT: CFS - NEES
 PROJECT LOCATION: CORVALLIS, OR
 CLIENT: JOHNS HOPKINS UNIVERSITY

SHEET TITLE: LEVEL 2 SENSOR PLANS

JOB NO. 10-277
 DRAWN BY: DEVCO
 DRAWING: SF 6.01

6/19/2013 10:40:46 AM



PRELIMINARY

DRAWING STATUS:	DATE:	No.	REVISION:	DATE:
<input checked="" type="checkbox"/> PRELIMINARY	06/12/13	1		
<input checked="" type="checkbox"/> SUBMITTED				
<input type="checkbox"/> BID SET				
<input type="checkbox"/> PERMIT SET				
<input type="checkbox"/> CONST. SET				

devco
 engineering inc.
 245 NE CONIFER, P.O. BOX 1211
 CORVALLIS, OR 97339
 WWW.DEVCOENGINEERING.COM

© COPYRIGHT 2009
 DEVCO ENGINEERING, INC.
 ALL RIGHTS RESERVED.

PROJECT: CFS - NEES
 PROJECT LOCATION: JOHNS HOPKINS UNIVERSITY
 CLIENT: JOHNS HOPKINS UNIVERSITY

SHEET TITLE:
ROOF SENSOR PLANS

JOB NO. 10-277
 DRAWN BY: DEVCO
 DRAWING: **SF 6.02**

PRELIMINARY

DRAWING STATUS:	DATE:	NO.:	REVISION:	DATE:
<input checked="" type="checkbox"/> PRELIMINARY	06/19/2013	1		
<input checked="" type="checkbox"/> SUBMITTED				
<input type="checkbox"/> BID SET				
<input type="checkbox"/> PERMIT SET				
<input type="checkbox"/> CONST. SET				

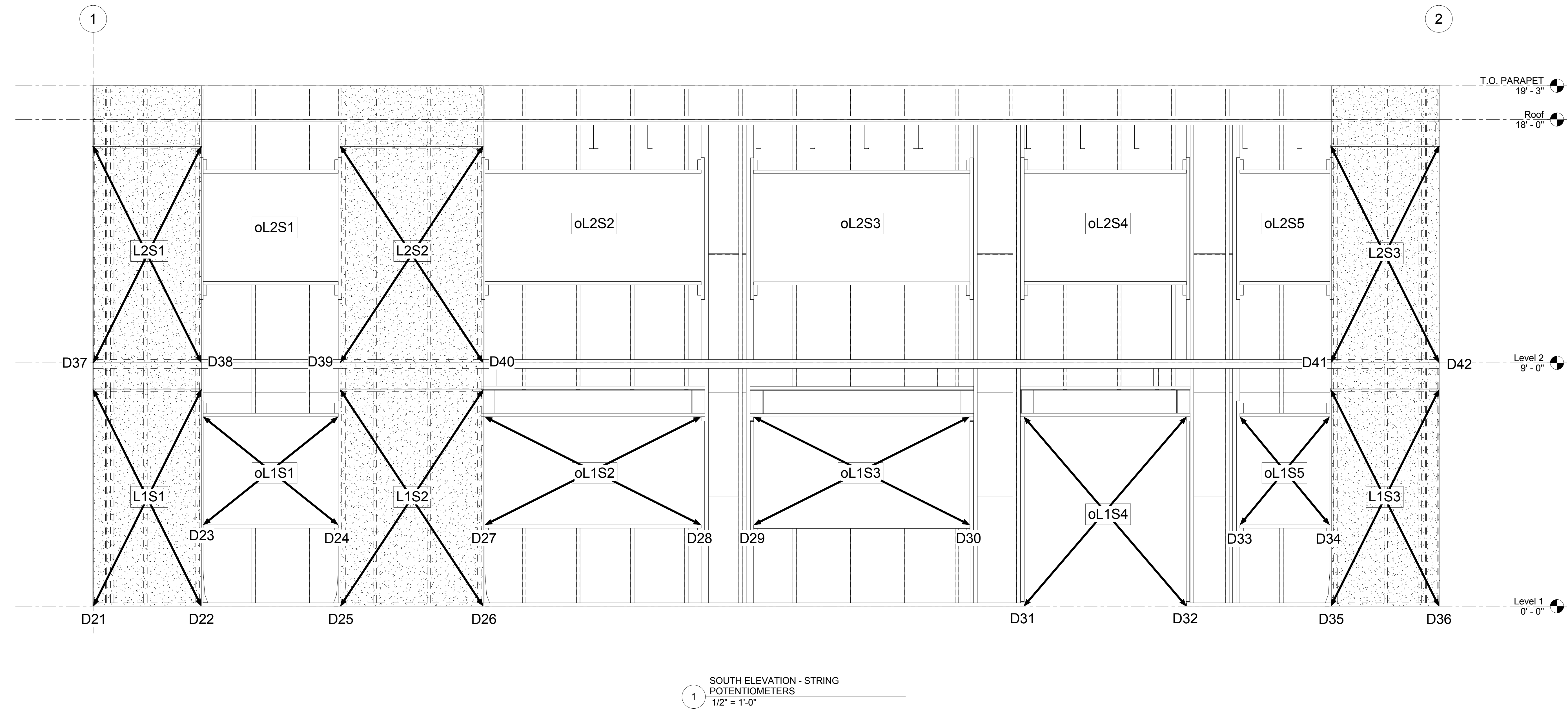
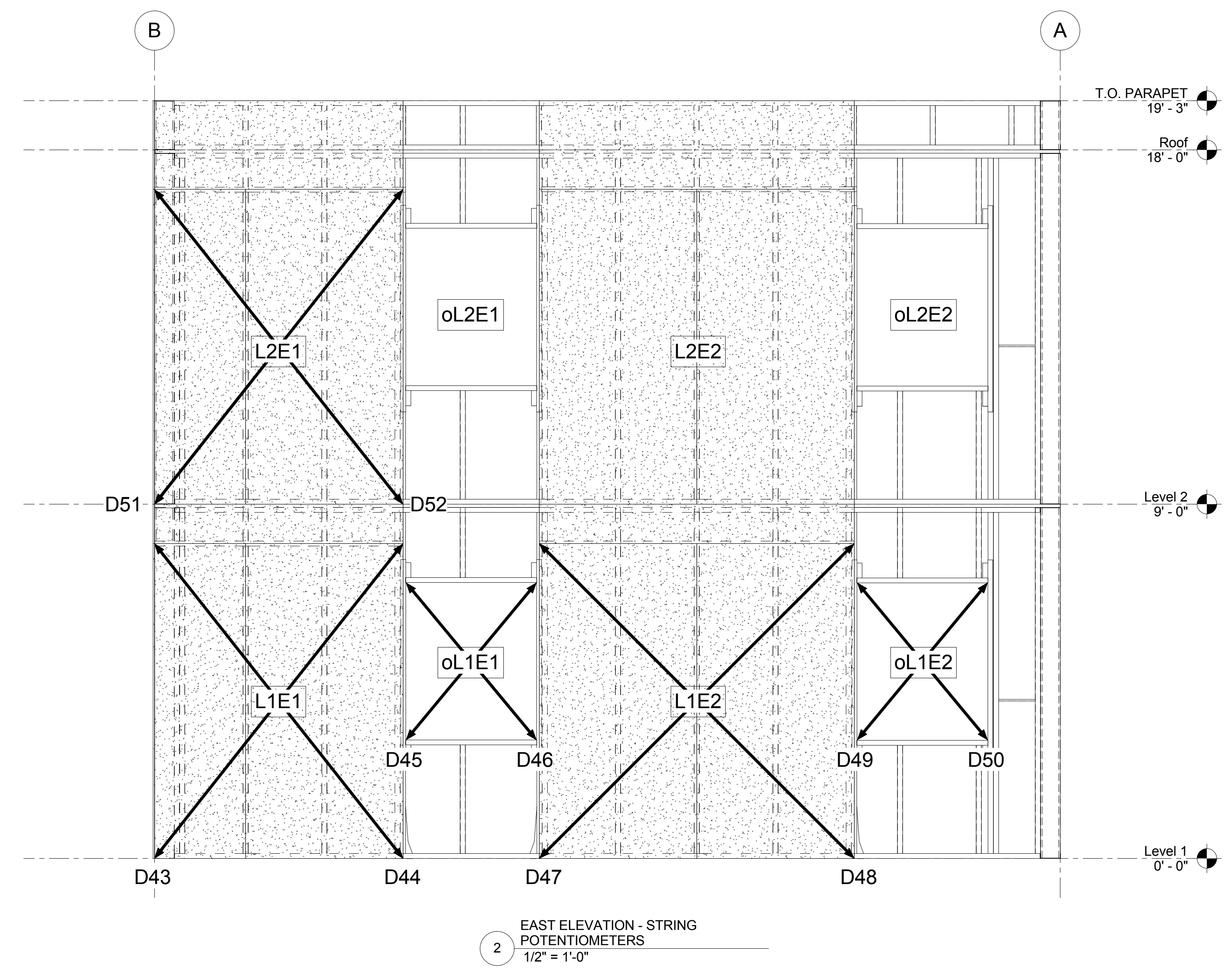
devco
engineering inc.
245 NE CONIFER, P.O. BOX 1211
CORVALLIS, OR 97339
WWW.DEVCOENGINEERING.COM

© COPYRIGHT 2009
DEVCO ENGINEERING, INC.
ALL RIGHTS RESERVED.

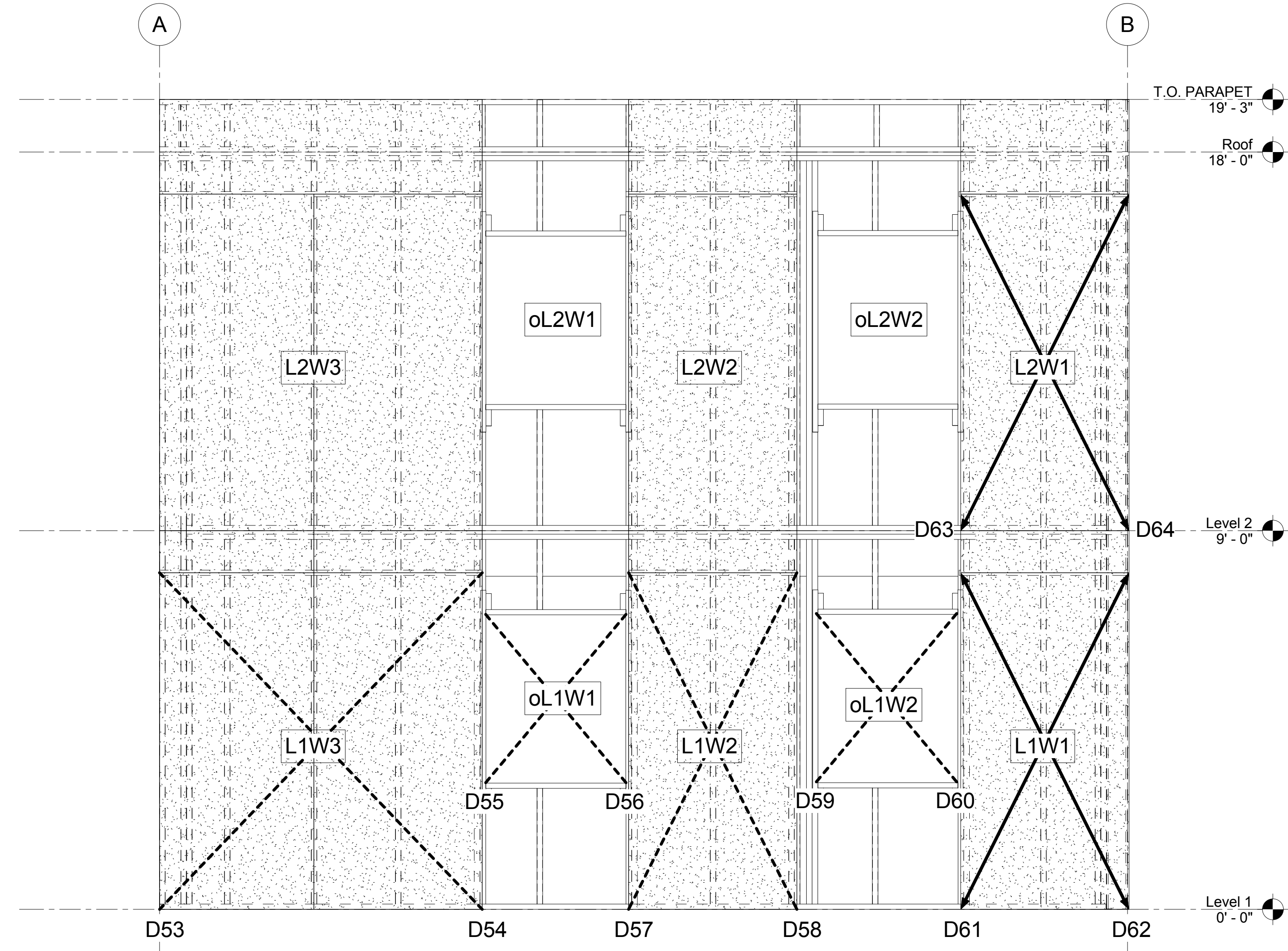
PROJECT: CFS - NEES
PROJECT LOCATION:
CLIENT: JOHNS HOPKINS UNIVERSITY

SHEET TITLE:
SENSOR ELEVATIONS

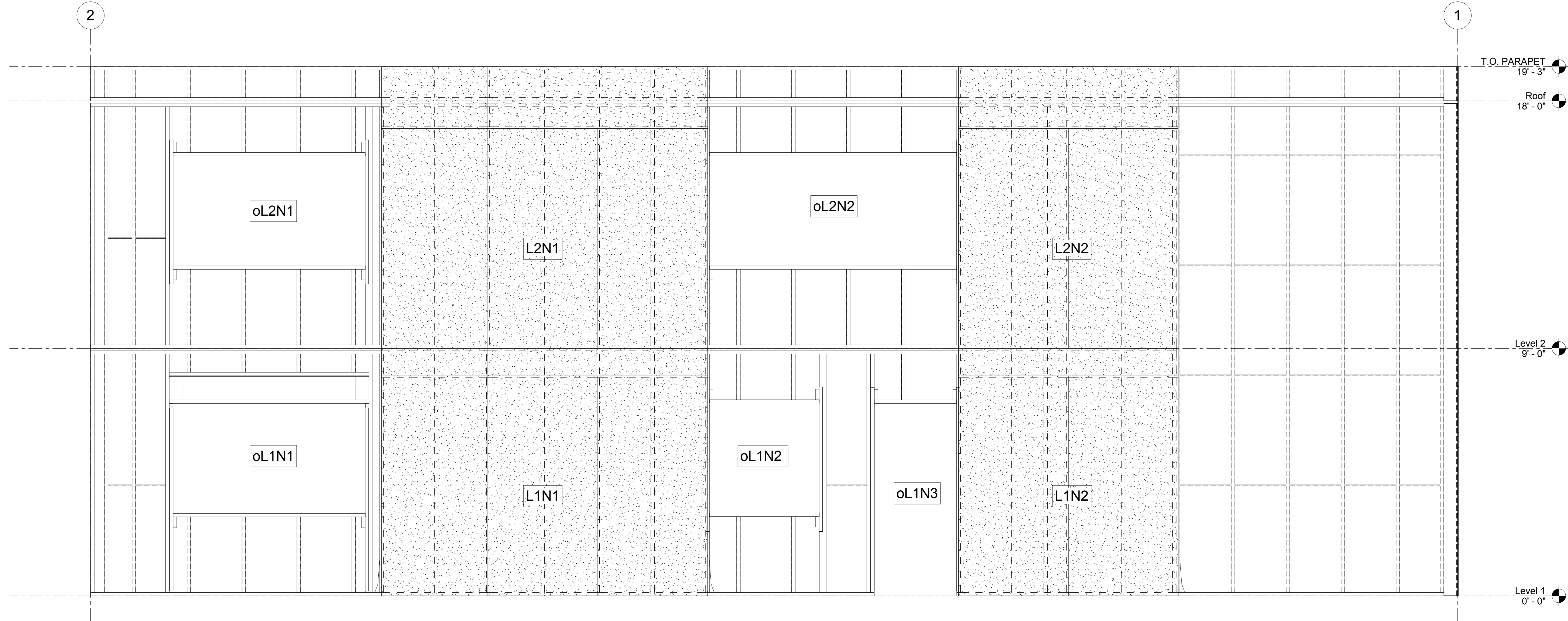
JOB NO. 10-277
DRAWN BY: DEVCO
DRAWING:
SF 6.10



6/19/2013 10:00:53 AM



2 WEST ELEVATION - STRING POTENTIOMETERS
1/2" = 1'-0"



1 NORTH ELEVATION - STRING POTENTIOMETERS
1/2" = 1'-0"

6/19/2013 10:41:03 AM

PRELIMINARY

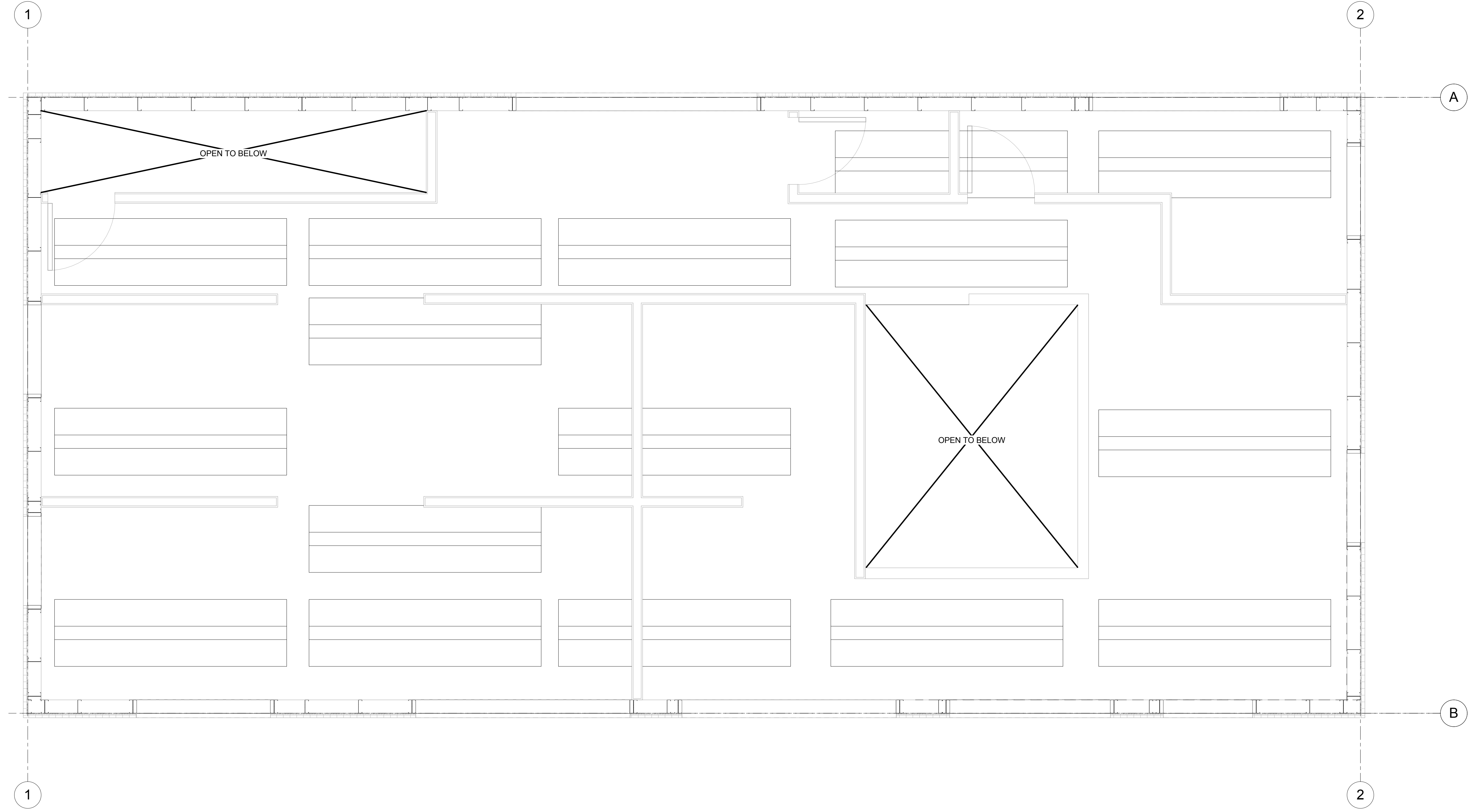
DRAWING STATUS:	DATE:	NO.:	REVISION:	DATE:
<input checked="" type="checkbox"/> PRELIMINARY	06/19/13	1		
<input checked="" type="checkbox"/> SUBMITTED				
<input type="checkbox"/> BID SET				
<input type="checkbox"/> PERMIT SET				
<input type="checkbox"/> CONST. SET				


DEVCO
 engineering inc.
 245 NE CONIFER, P.O. BOX 1211
 CORVALLIS, OR 97339
 WWW.DEVCOENGINEERING.COM
 © COPYRIGHT 2009
 DEVCO ENGINEERING, INC.
 ALL RIGHTS RESERVED.

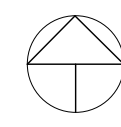
PROJECT: CFS - NEES
 PROJECT LOCATION:
 CLIENT: JOHNS HOPKINS UNIVERSITY

SHEET TITLE:
SENSOR ELEVATIONS

JOB NO. 10-277
 DRAWN BY: DEVCO
 DRAWING:
SF 6.11



1 Supplemental Mass FLOOR LAYOUT -
 PHASE 2b
 1/2" = 1'-0"



SHEET TITLE:

SUPPLEMENTAL MASS FLOOR - PHASE 2b

PROJECT:
CFS - NEES

PROJECT LOCATION:

CLIENT:
JOHNS HOPKINS UNIVERSITY

JOB NO. 10-277

DRAWN BY: DEVCO

DRAWING:

SF 7.02B

devco
 engineering inc.
 245 NE CONIFER, P.O. BOX 1211
 CORVALLIS, OR 97339
 WWW.DEVCOENGINEERING.COM

Corvallis
 Oregon
 (541) 752-8991

© COPYRIGHT 2009
 DEVCO ENGINEERING, INC.
 ALL RIGHTS RESERVED.

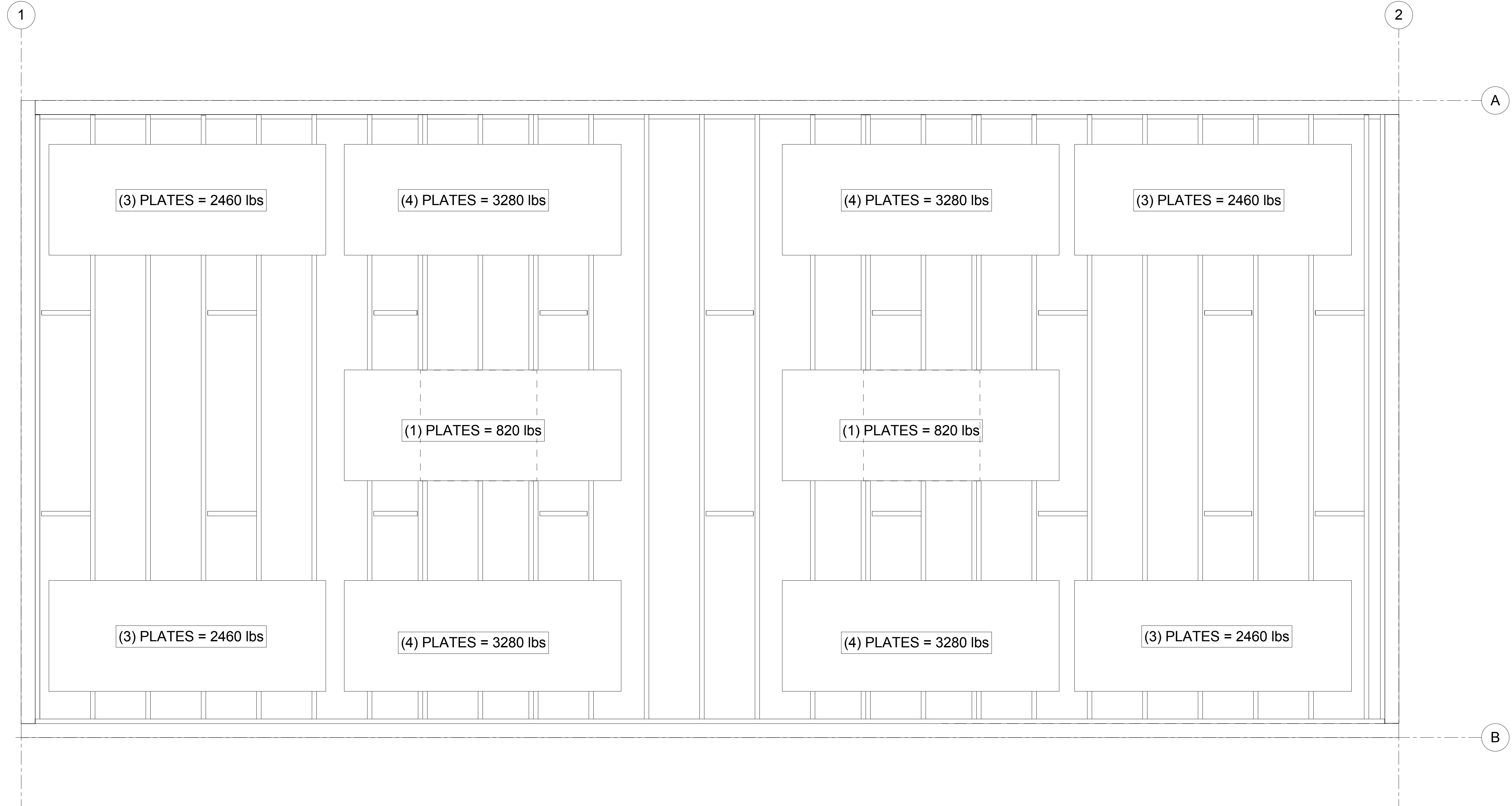
DRAWING STATUS:

DATE: 06/12/13

REVISION:

DATE:

PRELIMINARY



1 Supplemental Mass ROOF LAYOUT -
 PHASE 2b
 1/2" = 1'-0"

SHEET TITLE:

SUPPLEMENTAL MASS ROOF - PHASE 2b

PROJECT:
CFS - NEES

PROJECT LOCATION:
CORVALLIS, OR 97339

CLIENT:
JOHNS HOPKINS UNIVERSITY



© COPYRIGHT 2009
 DEVCO ENGINEERING, INC.
 ALL RIGHTS RESERVED.

DRAWING STATUS:

<input checked="" type="checkbox"/> PRELIMINARY	DATE: 06/12/13
<input checked="" type="checkbox"/> SUBMITTED	
<input type="checkbox"/> BID SET	
<input type="checkbox"/> PERMIT SET	
<input type="checkbox"/> CONST. SET	

REVISION:

DATE:

PRELIMINARY

JOB NO. 10-277

DRAWN BY: DEVCO

DRAWING:

SF 7.03B