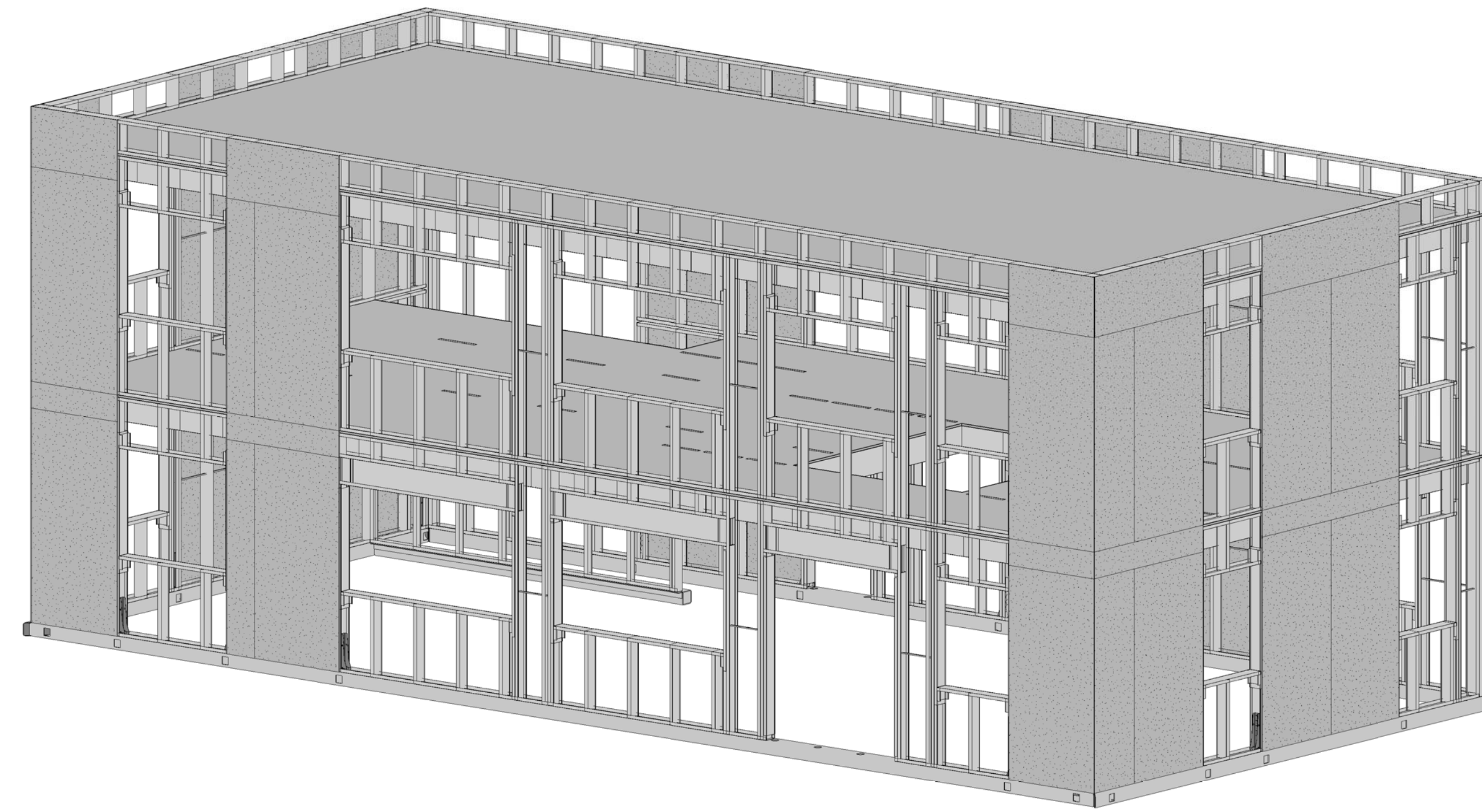


CFS NEES

JOHNS HOPKINS UNIVERSITY

PHASE 1

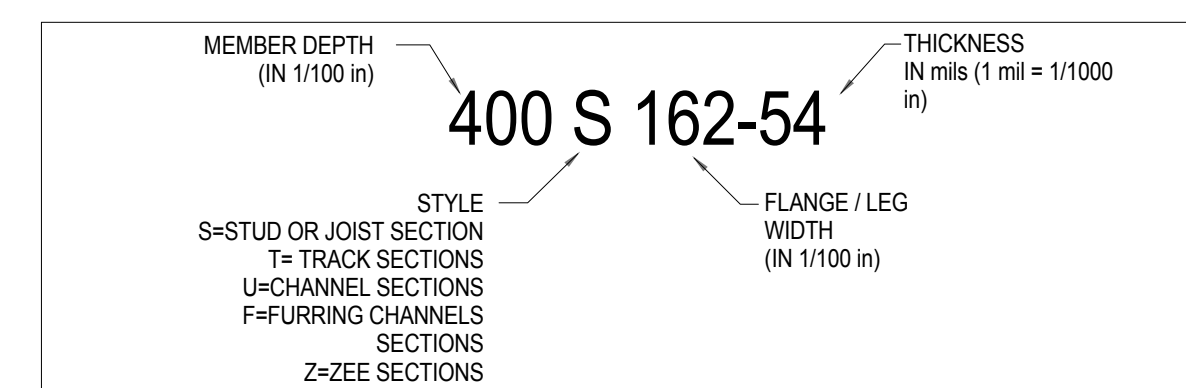


ABBREVIATIONS FOR COLD-FORMED GENERAL NOTES

A.D. - ARCHITECTURAL DRAWINGS	L.V.F. - LOW VELOCITY FASTENER (SEE GENERAL NOTES FOR SIZE & TYPE)
ADDL. - ADDITIONAL	LVL. - LEVEL
ALT. - ALTERNATE	LWC - LIGHT WEIGHT CONCRETE
BM. - BEAM	MAX. - MAXIMUM
B.O. - BOTTOM OF	MFG. - MANUFACTURER
BLDG. - BUILDING	MIN. - MINIMUM
BLKG. - BLOCKING	(N) - NEW
BTWN. - BETWEEN	N.B.D. - NOT BY DEVCO
CL. OR CLR. - CLEAR	N.T.S. - NOT TO SCALE
CLG. - CEILING	N/A. - NOT APPLICABLE
COL. - COLUMN	N.S. - NEAR SIDE
CONC. - CONCRETE	NWC - NORMAL WEIGHT CONCRETE
CONN. - CONNECTION	O. - OVER
CONT. - CONTINUOUS	O.C. - ON CENTER
CRC - COLD ROLLED CHANNEL	O.H. - OPPOSITE HAND
C.W. - CURTAINWALL	O.H.D. - OVERHEAD DOOR
DBL. - DOUBLE	OPNG. - OPENING
DEFL. - DEFLECTION	OPWJ - OPEN WEB JOIST
DIAG. - DIAGONAL	PC. - PIECE
DIM. - DIMENSION	PERP. - PERPENDICULAR
DIV ANG OR DA - DIVERTER ANGLE	PT. - POINT
DWG. - DRAWING	REINF. - REINFORCING
EA. - EACH	REF. - REFERENCE
E.D. - EDGE DISTANCE	REQD. - REQUIRED
EL. OR ELEV. - ELEVATION	R.F.I. - REQUEST FOR INFORMATION
(E) - EXISTING	R.O. - ROUGH OPENING
E.O.D. - EDGE OF DECK	S.D. - STRUCTURAL DRAWINGS
E.O.R. - ENGINEER OF RECORD	SECT. - SECTION
E.O.S. - EDGE OF SLAB	SIM. - SIMILAR
EQ. - EQUAL	SPL BRK. - SPECIAL BRAKE
F.O. - FACE OF	SQ. - SQUARE
FLG. - FLANGE	STL. - STEEL
FLR. - FLOOR	SW. - SHEARWALL
F.S. - FAR SIDE	T&B. - TOP & BOTTOM
GA. - GAUGE	T.O. - TOP OF
G.C. - GENERAL CONTRACTOR	TYP. - TYPICAL
HDR. - HEADER	U.N.O. - UNLESS NOTED OTHERWISE
HGT. - HEIGHT	VERT. - VERTICAL
HORIZ OR HOR. - HORIZONTAL	W.B. - WEDGE BOLT
HSS - HOLLOW STRUCTURAL SECTION	WDW. - WINDOW
HWC - HIGH WIND CORNER. PER UBC, AREA EXTENDING FROM BUILDING CORNERS 10 FEET OR 0.1 TIMES THE LEAST WIDTH OF THE BUILDING, WHICHEVER IS LESS.	WF. - WIDE FLANGE
I.L.O. - IN LIEU OF	W. - WITH
INV. - INVERTED	WIN. - WITHIN
IT. - JOINT	W/O. - WITHOUT
LG. - LONG	W.P. - WORK POINT
LOCN. - LOCATION	
LLH. - LONG LEG HORIZONTAL	
LLV. - LONG LEG VERTICAL	

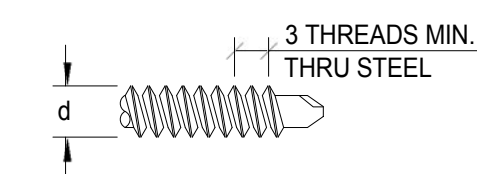
COLD-FORMED STEEL GENERAL NOTES

- DESIGN CRITERIA**
 2009 IBC
 OCCUPANCY CATEGORY II
 WIND: 85 MPH (3 SECOND GUST), EXP. B, I=1.0
 SEISMIC: $S_s = 0.93$
 SEISMIC SITE CLASS D, IE=1.0
 SEISMIC DESIGN CATEGORY D
 $S_1 = 1.33$
 $S_2 = 0.50$
 $R = 6.5$
 $C_u = 4$
 $W_q = 3$
- DESIGN LIVE LOADS:**
 FLOOR: OFFICES = 50 psf
 OFFICE CORRIDORS ABOVE 1ST FLOOR = 80 psf
 PARTITIONS = 15 psf
 ROOF LIVE = 20 psf
 ROOF:
- ALL COLD FORMED STEEL STUDS, JOIST, TRACK & MISC. SHAPES MILL CERTIFIED STEEL TO MEET:
 A. ASTM A1003 ST GRADE 50, TYPE H 54-97 mil GALV. STEEL
 B. ASTM A1003 ST GRADE 33, TYPE H 18-43 mil GALV. STEEL EXTERIOR MEMBERS - G60 MINIMUM
- ALL STEEL STUDS, JOIST & TRACK SHALL HAVE A LEGIBLE LABEL, STAMP OR EMBOSSEMENT, AT A MAXIMUM OF 48" O.C., INDICATING THE MANUFACTURER'S NAME, LOGO OR INITIALS, ICC EVALUATION SERVICE REPORT NUMBER, THE MATERIAL BASE METAL THICKNESS (UNCOATED) IN .001 in. AND THE YIELD STRENGTH IF DIFFERENT THAN 33 ksi.
- MILL CERTIFICATES FROM THE COIL PRODUCER SHALL BE MADE AVAILABLE IF REQUESTED. MILL CERTIFICATE TO INCLUDE AS A MINIMUM THE CHEMICAL COMPOSITION, YIELD STRENGTH, TENSILE STRENGTH, ELONGATION, AND COATING THICKNESS.
- MINIMUM SECTION PROPERTIES: (PER SSMA, ICC ER-4943-P)



MINIMUM DELIVERABLE THICKNESS (mils)	GAUGE	DESIGN THICKNESS (INCHES)
33	20	.0346
43	18	.0451
54	16	.0556
68	14	.0713
97	12	.1017
118	10	.1242

- STUDS AND TRACKS THAT COMPRISE A HEADER, STRONGBACK OR SILL SHALL NOT BE SPICED.
- SCREW VALUES USED IN DESIGN MEET 2007 "NORTH AMERICAN SPECIFICATION FOR THE DESIGN OF COLD-FORMED STEEL STRUCTURAL MEMBERS" (ASI S100-07) SECTION E4 FOR SCREW CONNECTIONS. SCREWS TO CONFORM TO SAE J78.



THE NOMINAL STRENGTH OF THE SCREWS TESTED IN ACCORDANCE WITH SECTION F1.1(a) OF THE ASI S100-07, SHALL NOT BE LESS THAN:

SHEAR			TENSION		
#8	#10	1/4"	#8	#10	1/4"
1860	2003	2440	641	743	4580

- STUDS SHALL BE SEATED SQUARELY WITH MAX. 1/8" GAP BETWEEN END OF STUDS AND WEB OF TOP AND BOTTOM TRACKS TYPICAL AT ALL BEARING WALLS.

SHEET INDEX

SF 1.00	COVER SHEET - PHASE 1
SF 1.01	EXPLODED ISOMETRIC VIEW
SF 4.00	FOUNDATION PLAN - PHASE 1
SF 4.01	LEVEL 1 LAYOUT PLAN - PHASE 1
SF 4.02	FLOOR JOIST LAYOUT PLAN - PHASE 1
SF 4.03	ROOF JOIST LAYOUT PLAN - PHASE 1
SF 4.10	ELEVATIONS
SF 4.11	ELEVATIONS
SF 4.20	WALL SECTIONS
SF 4.40	SHEAR WALL ELEVATIONS
SF 4.50	DETAILS
SF 6.00	FRAMED OPENING DETAILS
SF 6.01	LEVEL 1 SENSOR PLANS
SF 6.02	LEVEL 2 SENSOR PLANS
SF 6.02	ROOF SENSOR PLANS
SF 6.10	SENSOR ELEVATIONS
SF 6.11	SENSOR ELEVATIONS
SF 7.02	SUPPLEMENTAL MASS FLOOR - PHASE 1
SF 7.03	SUPPLEMENTAL MASS FLOOR - PHASE 1

PRELIMINARY

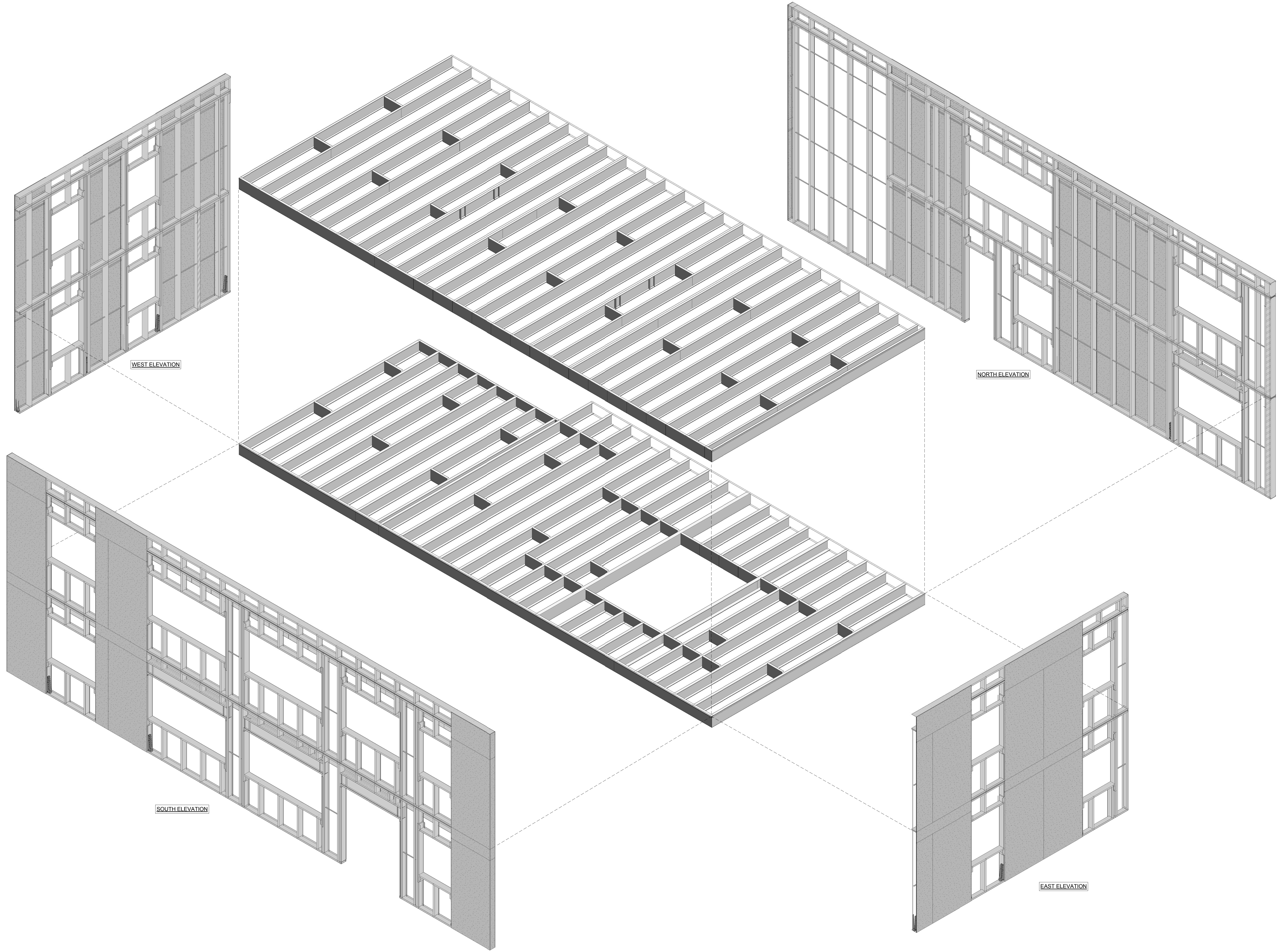
DRAWING STATUS:	No.	DATE:	REVISION:	DATE:
<input checked="" type="checkbox"/> PRELIMINARY		05/28/13		
<input type="checkbox"/> SUBMITTED				
<input type="checkbox"/> BID SET				
<input type="checkbox"/> PERMIT SET				
<input type="checkbox"/> CONST. SET				

devco
 engineering inc.
 245 NE CONIFER, P.O. BOX 1211
 CORVALLIS, OR 97339
 WWW.DEVCOENGINEERING.COM
 © COPYRIGHT 2009
 DEVCO ENGINEERING, INC.
 ALL RIGHTS RESERVED.

PROJECT: CFS - NEES
 PROJECT LOCATION: JOHN HOPKINS UNIVERSITY
 CLIENT: JOHN HOPKINS UNIVERSITY

SHEET TITLE:
 COVER SHEET - PHASE 1

JOB NO. 10-277
 DRAWN BY: DEVCO
 DRAWING:
 SF 1.00



WEST ELEVATION

NORTH ELEVATION

SOUTH ELEVATION

EAST ELEVATION

5/28/2013 11:15:48 PM

PRELIMINARY

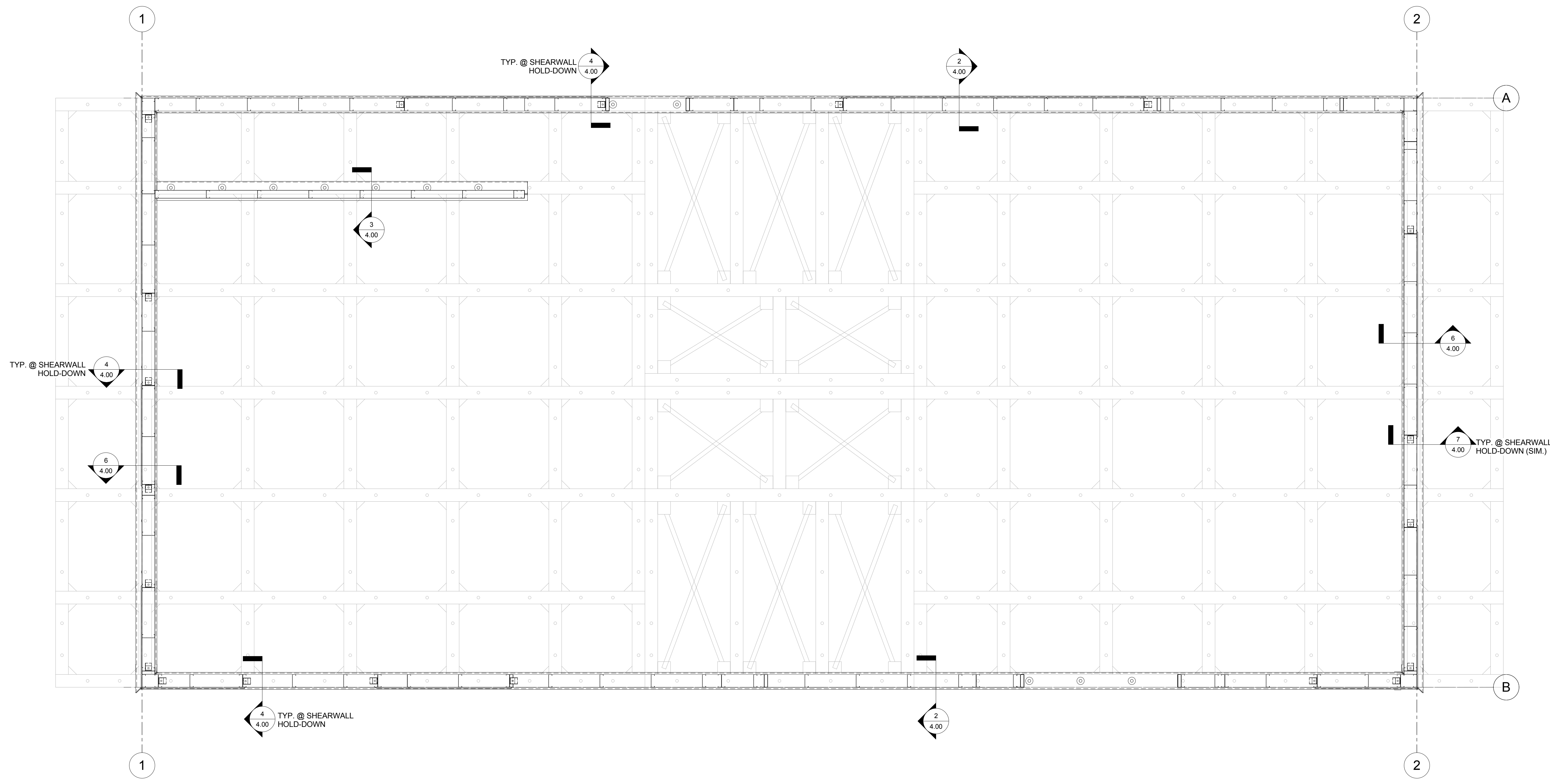
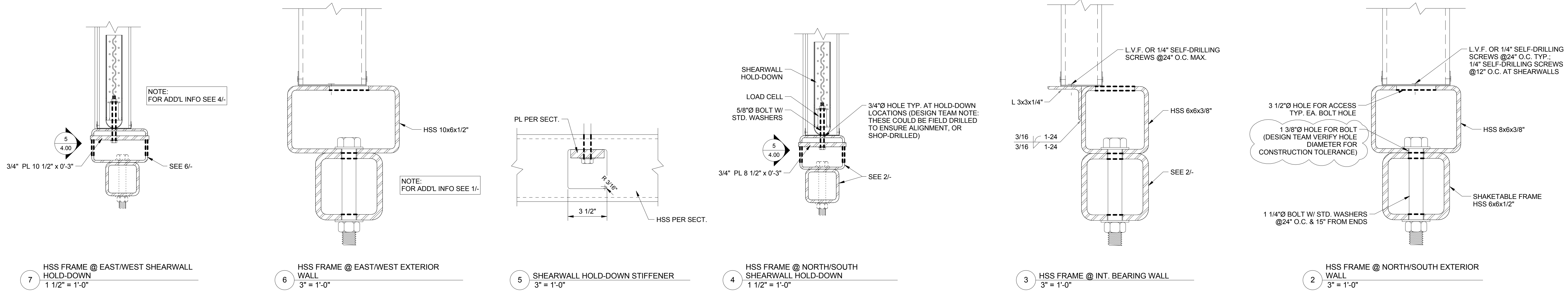
DRAWING STATUS:	DATE:	NO.:	REVISION:	DATE:
<input checked="" type="checkbox"/> PRELIMINARY	05/27/13	1		
<input checked="" type="checkbox"/> SUBMITTED				
<input type="checkbox"/> BID SET				
<input type="checkbox"/> PERMIT SET				
<input type="checkbox"/> CONST. SET				


DEVCO
 engineering inc.
 245 NE CONIFER, P.O. BOX 1211
 CORVALLIS, OR 97339
 WWW.DEVCOENGINEERING.COM
 © COPYRIGHT 2009
 DEVCO ENGINEERING, INC.
 ALL RIGHTS RESERVED.

PROJECT: CFS - NEES
 PROJECT LOCATION:
 CLIENT: JOHNS HOPKINS UNIVERSITY

SHEET TITLE:
 Phase 1 - Exploded Isometric

JOB NO. 10-277
 DRAWN BY: DEVCO
 DRAWING:
SF 1.01



1 FOUNDATION PLAN
1/2" = 1'-0"

DRAWING STATUS:	DATE:	NO.	REVISION:
<input checked="" type="checkbox"/> PRELIMINARY	05/28/2013	1	
<input type="checkbox"/> SUBMITTED			
<input type="checkbox"/> BID SET			
<input type="checkbox"/> PERMIT SET			
<input type="checkbox"/> CONST. SET			

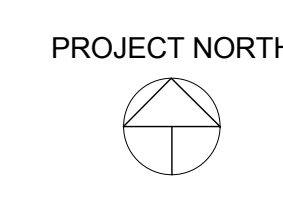
devco
 engineering inc.
 245 NE CONIFER, P.O. BOX 1211
 CORVALLIS, OR 97339
 WWW.DEVCOENGINEERING.COM

© COPYRIGHT 2009
 DEVCO ENGINEERING, INC.
 ALL RIGHTS RESERVED.

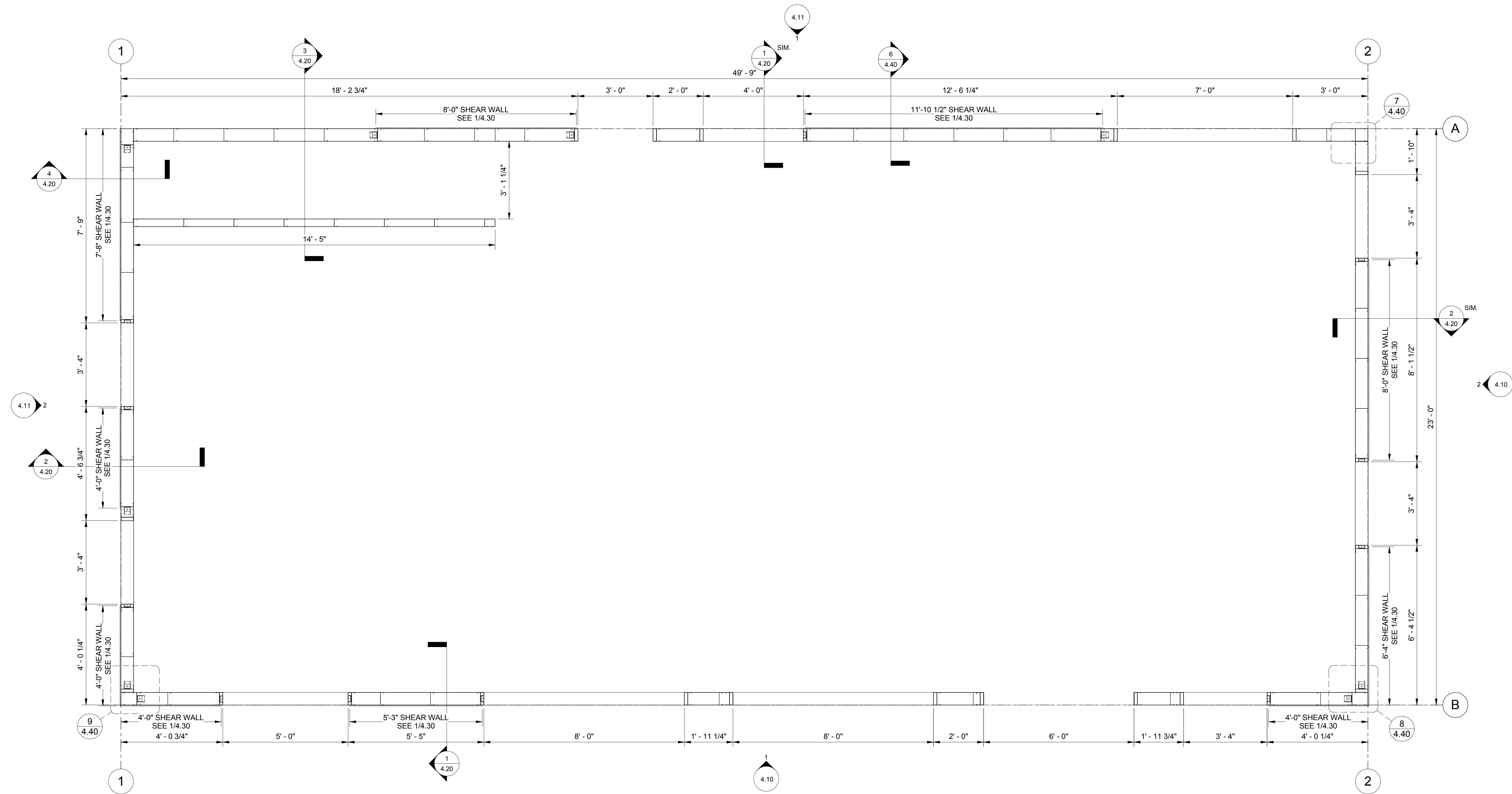
PROJECT: CFS - NEES
 PROJECT LOCATION:
 CLIENT: JOHNS HOPKINS UNIVERSITY

SHEET TITLE:
 FOUNDATION PLAN

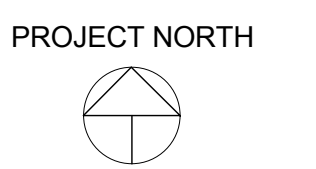
JOB NO. 10-277
 DRAWN BY: DEVCO
 DRAWING:
SF 4.00



5/28/2013 11:55:54 PM



1 LEVEL 1 LAYOUT PLAN - PHASE 1
1/2" = 1'-0"



SHEET TITLE:

LEVEL 1 LAYOUT PLAN - PHASE 1

JOB NO. 10-277

DRAWN BY: DEVCO

DRAWING:

SF 4.01

PROJECT: CFS - NEES

PROJECT LOCATION:

CLIENT: JOHNS HOPKINS UNIVERSITY

DEVCO
Corvallis
Oregon
Engineering Inc.
245 NE CONIFER, P.O. BOX 1211
CORVALLIS, OR 97339
WWW.DEVCOENGINEERING.COM

© COPYRIGHT 2009
DEVCO ENGINEERING, INC.
ALL RIGHTS RESERVED.

DRAWING STATUS:

<input checked="" type="checkbox"/>	PRELIMINARY
<input type="checkbox"/>	SUBMITTED
<input type="checkbox"/>	BID SET
<input type="checkbox"/>	PERMIT SET
<input type="checkbox"/>	CONST. SET

DATE:	REVISION:	DATE:
05/27/13		

PRELIMINARY

PRELIMINARY

DRAWING STATUS:	DATE:	REVISION:	DATE:
<input checked="" type="checkbox"/> PRELIMINARY	05/28/13		
<input type="checkbox"/> SUBMITTED			
<input type="checkbox"/> BID SET			
<input type="checkbox"/> PERMIT SET			
<input type="checkbox"/> CONST. SET			

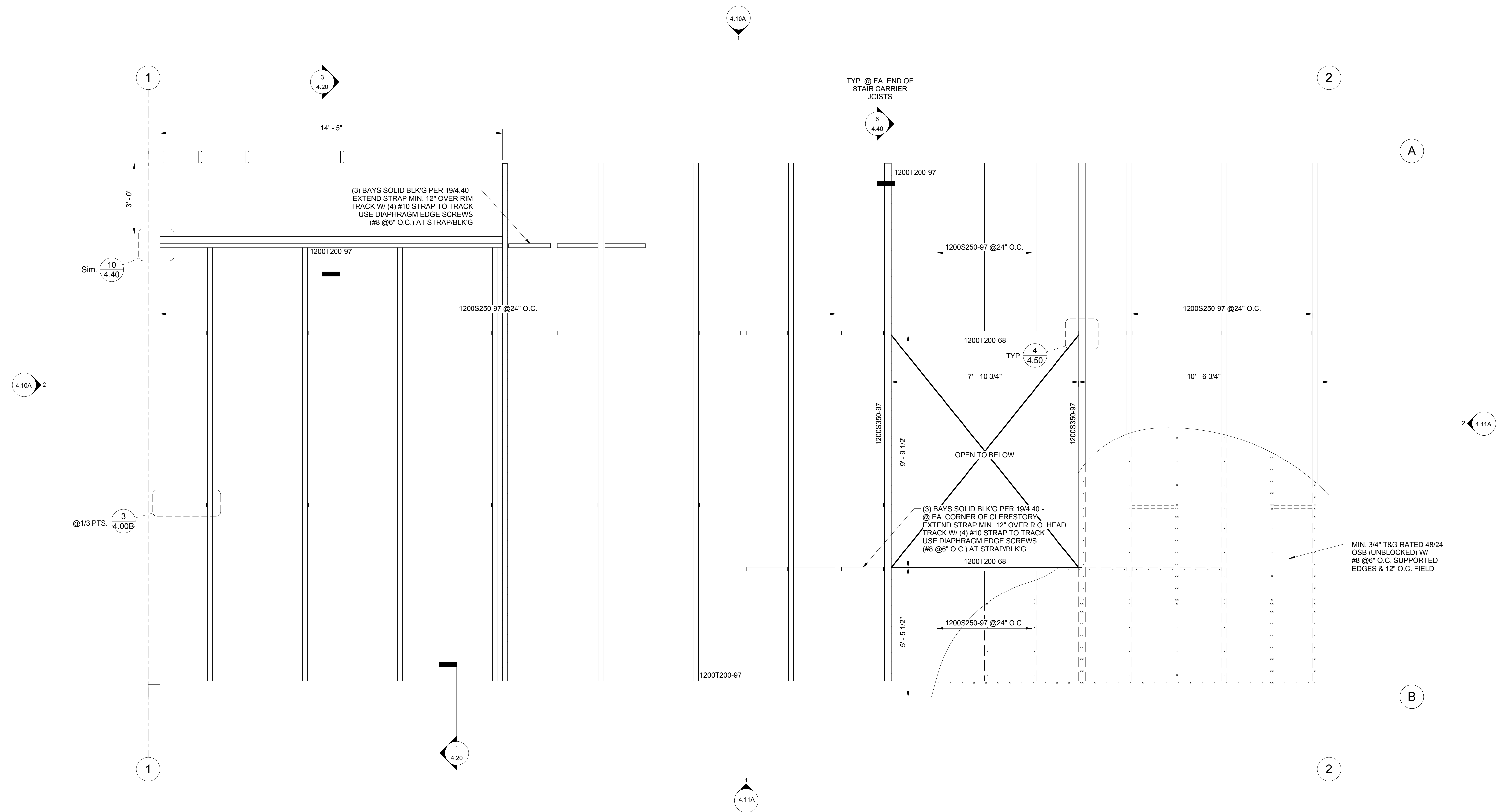
devco
 engineering inc.
 245 NE CONIFER, P.O. BOX 1211
 CORVALLIS, OR 97339
 WWW.DEVCOENGINEERING.COM

© COPYRIGHT 2009
 DEVCO ENGINEERING, INC.
 ALL RIGHTS RESERVED.

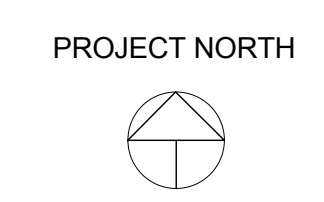
PROJECT: CFS - NEES
 PROJECT LOCATION:
 CLIENT: JOHNS HOPKINS UNIVERSITY

SHEET TITLE:
FLOOR JOIST LAYOUT PLAN - PHASE 1

JOB NO. 10-277
 DRAWN BY: DEVCO
 DRAWING:
SF 4.02

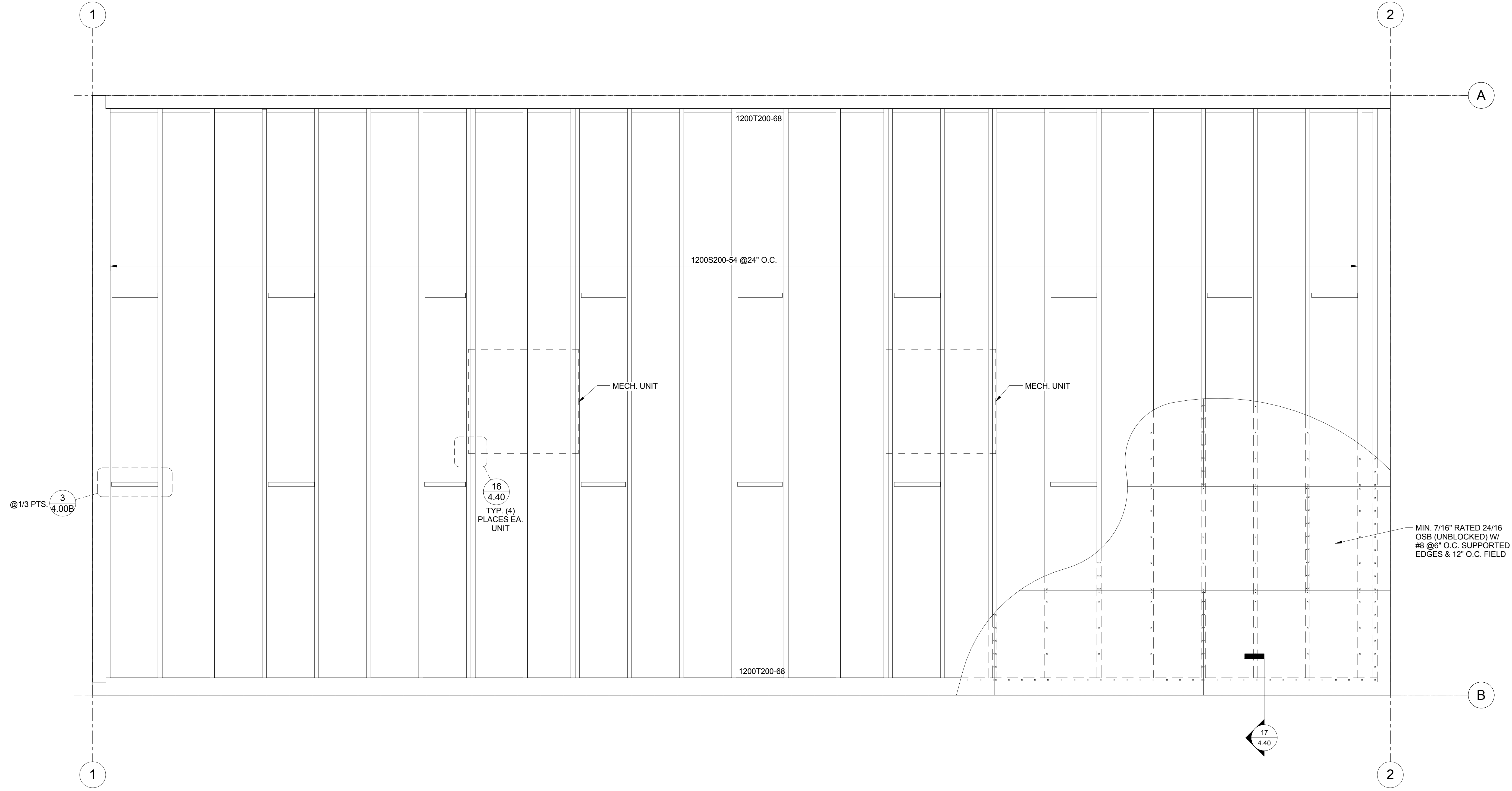


1 FLOOR JOISTS LAYOUT - PHASE 1
 1/2" = 1'-0"

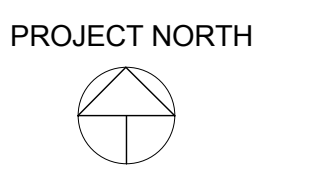


5/28/2013 11:55:55 PM

5/28/2013 11:55:56 PM



1 ROOF JOISTS LAYOUT - PHASE 1
1/2" = 1'-0"



SHEET TITLE:

ROOF JOIST LAYOUT PLAN - PHASE 1

PROJECT: CFS - NEES

PROJECT LOCATION:

CLIENT: JOHNS HOPKINS UNIVERSITY



DEVCO
engineering inc.
245 NE CONIFER, P.O. BOX 1211
CORVALLIS, OR 97339
WWW.DEVCOENGINEERING.COM

© COPYRIGHT 2009
DEVCO ENGINEERING, INC.
ALL RIGHTS RESERVED.

DRAWING STATUS:

PRELIMINARY
SUBMITTED
BID SET
PERMIT SET
CONST. SET

DATE: 05/27/13

REVISION:

DATE:

JOB NO. 10-277

DRAWN BY: DEVCO

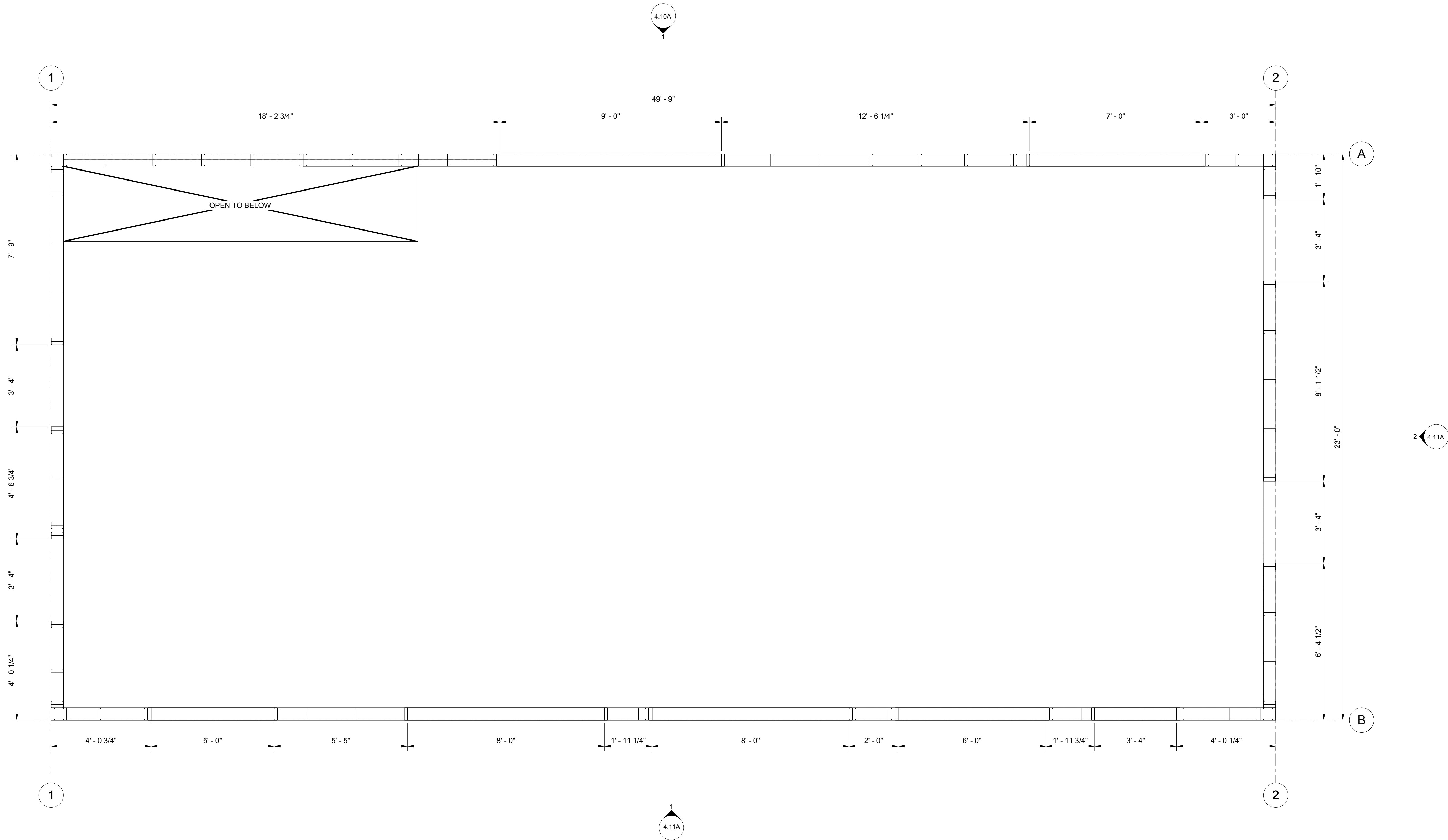
DRAWING:

SF 4.03

PRELIMINARY

5/28/2013 11:55:56 PM

4.10A



1 LEVEL 2 LAYOUT PLAN - PHASE 1
1/2" = 1'-0"

SHEET TITLE:

LEVEL 2 LAYOUT PLAN - PHASE 1

PROJECT:
CFS - NEES

PROJECT LOCATION:
CORVALLIS, OR 97339

CLIENT:
JOHNS HOPKINS UNIVERSITY

Corvallis
Oregon
devco
engineering inc.
245 NE CONIFER, P.O. BOX 1211
CORVALLIS, OR 97339
WWW.DEVCOENGINEERING.COM

© COPYRIGHT 2009
DEVCO ENGINEERING, INC.
ALL RIGHTS RESERVED.

DRAWING STATUS:

<input checked="" type="checkbox"/>	PRELIMINARY
<input checked="" type="checkbox"/>	SUBMITTED
<input type="checkbox"/>	BID SET
<input type="checkbox"/>	PERMIT SET
<input type="checkbox"/>	CONST. SET

DATE: 05/27/13

<input type="checkbox"/>	NO.	DATE:
<input type="checkbox"/>		
<input type="checkbox"/>		
<input type="checkbox"/>		
<input type="checkbox"/>		

REVISION:

<input type="checkbox"/>	NO.	DATE:
<input type="checkbox"/>		
<input type="checkbox"/>		
<input type="checkbox"/>		
<input type="checkbox"/>		

DATE:

<input type="checkbox"/>	NO.	DATE:
<input type="checkbox"/>		
<input type="checkbox"/>		
<input type="checkbox"/>		
<input type="checkbox"/>		

PRELIMINARY

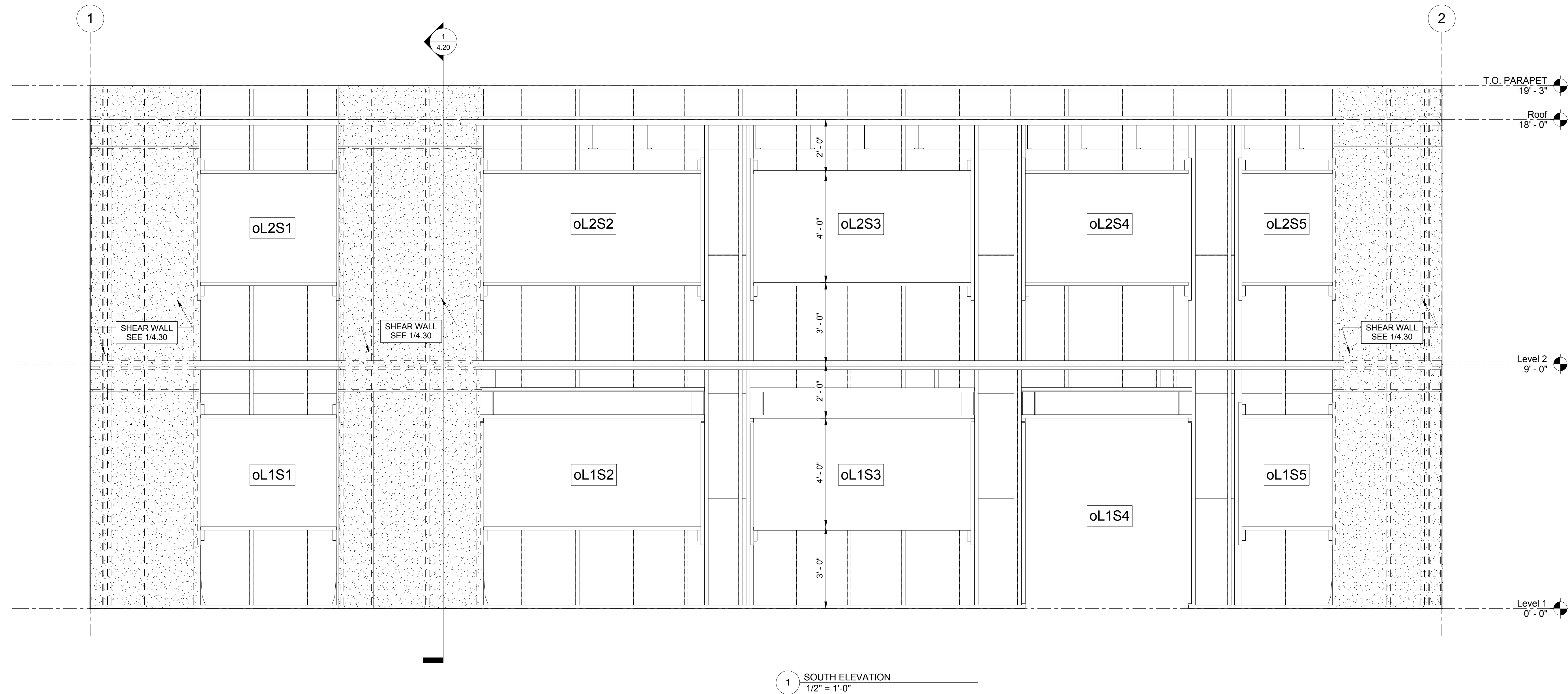
JOB NO. 10-277

DRAWN BY: DEVCO

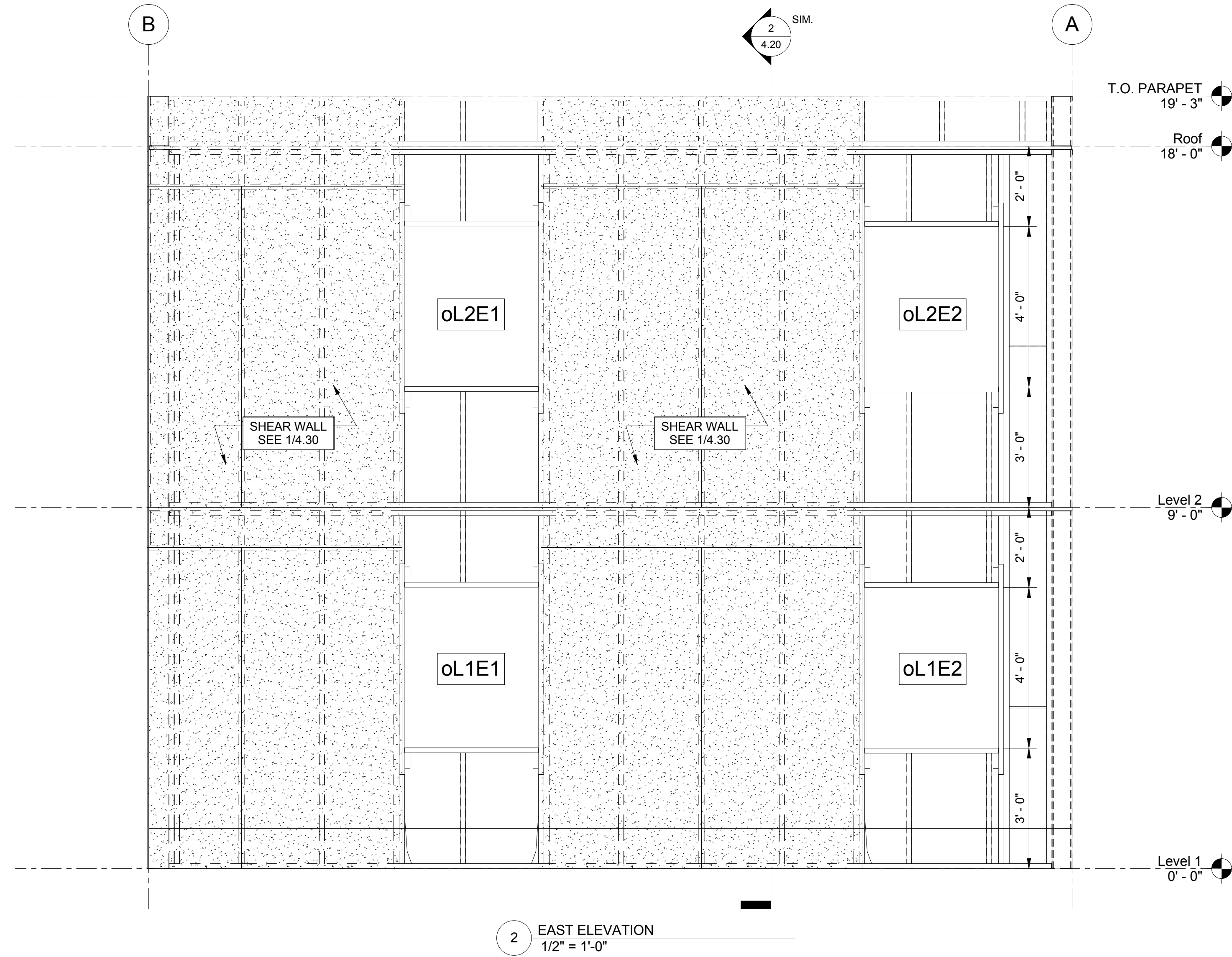
DRAWING:

SF 4.04

5/28/2013 11:50:02 PM



1 SOUTH ELEVATION
1/2" = 1'-0"



2 EAST ELEVATION
1/2" = 1'-0"

SHEET TITLE:

ELEVATIONS

PROJECT:
CFS - NEES

PROJECT LOCATION:

CLIENT:
JOHNS HOPKINS UNIVERSITY

devco
 engineering inc.
 245 NE CONIFER, P.O. BOX 1211
 CORVALLIS, OR 97339
 WWW.DEVCOENGINEERING.COM

© COPYRIGHT 2009
 DEVCO ENGINEERING, INC.
 ALL RIGHTS RESERVED.

DRAWING STATUS:

PRELIMINARY

DATE:

05/27/13

REVISION:

DATE:

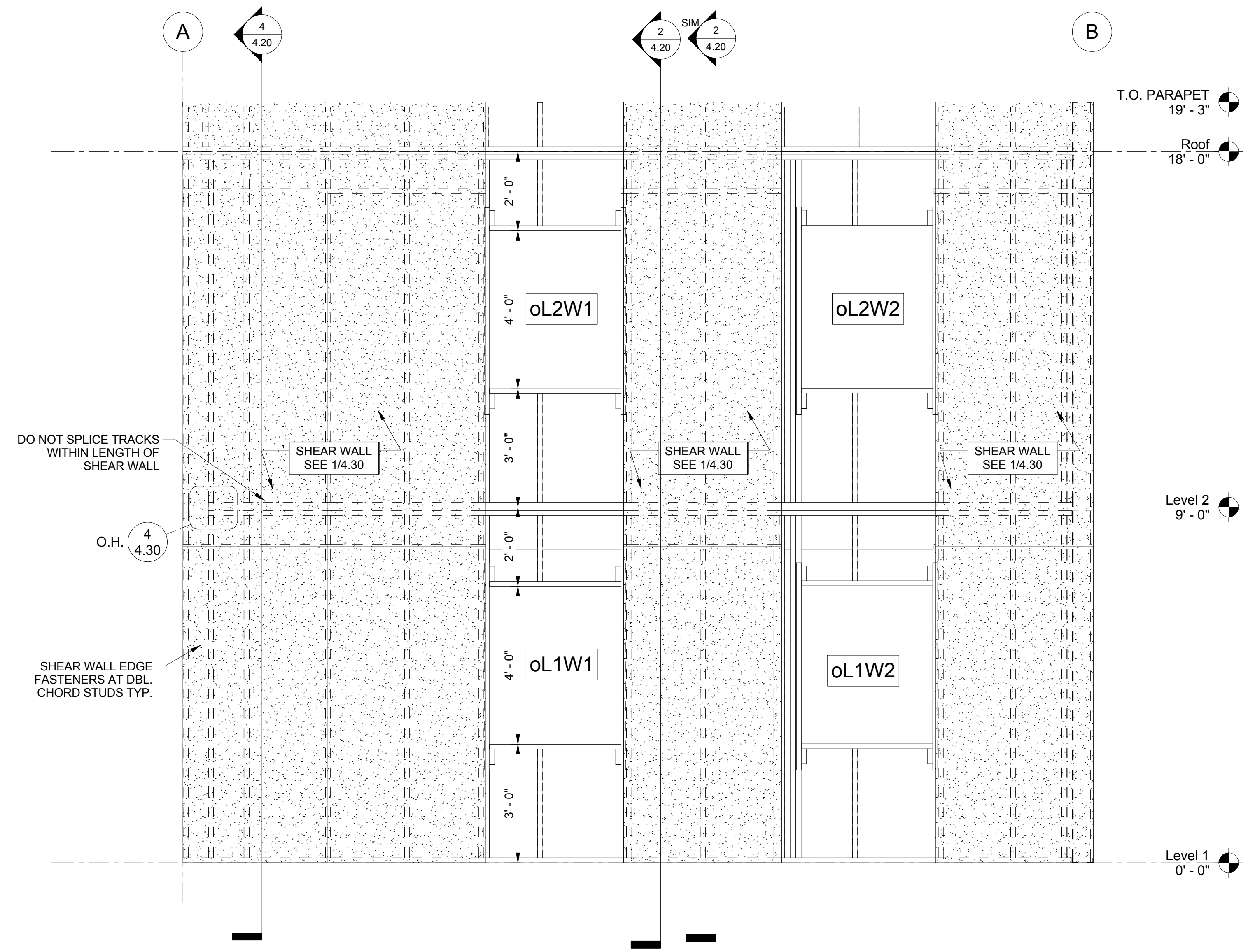
JOB NO. 10-277

DRAWN BY: DEVCO

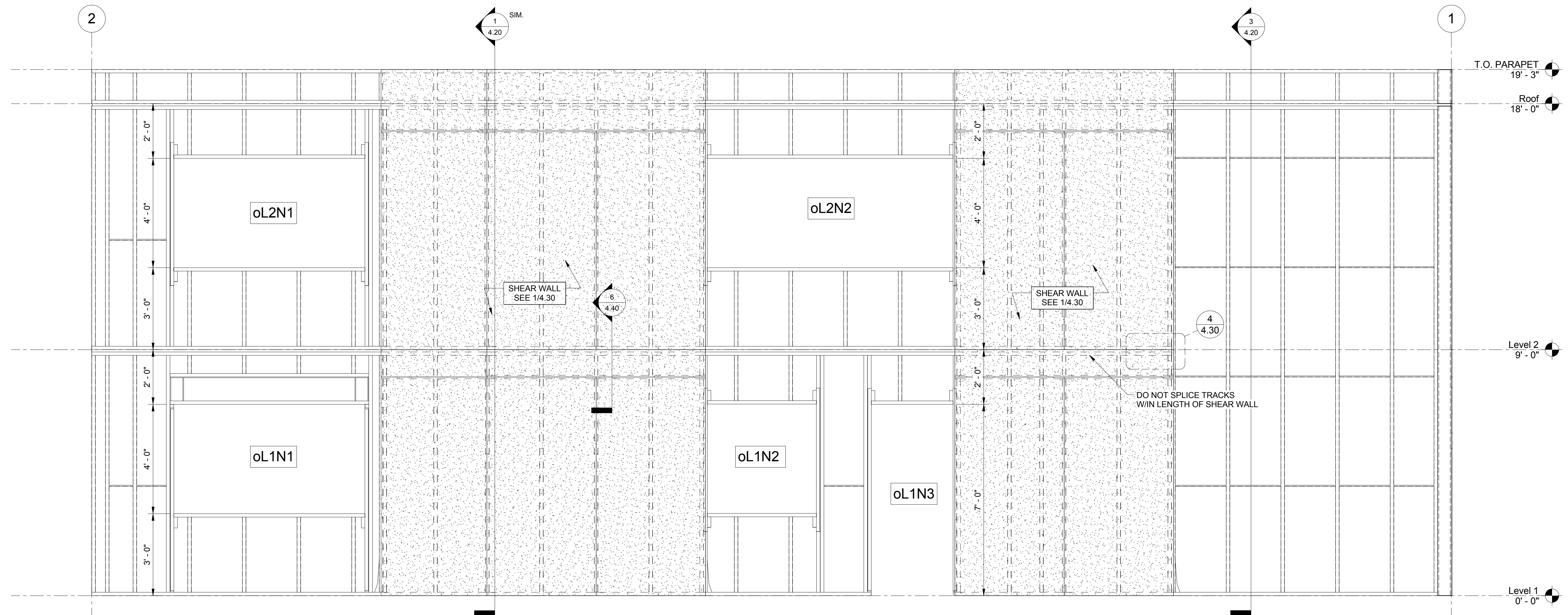
DRAWING:

SF 4.10

PRELIMINARY



2 WEST ELEVATION
1/2" = 1'-0"



1 NORTH ELEVATION
1/2" = 1'-0"

PRELIMINARY

DRAWING STATUS:	DATE:	NO.:	REVISION:	DATE:
<input checked="" type="checkbox"/> PRELIMINARY	05/27/13	1		
<input type="checkbox"/> SUBMITTED				
<input type="checkbox"/> BID SET				
<input type="checkbox"/> PERMIT SET				
<input type="checkbox"/> CONST. SET				

devco
 engineering inc.
 245 NE CONIFER, P.O. BOX 1211
 CORVALLIS, OR 97339
 WWW.DEVCOENGINEERING.COM

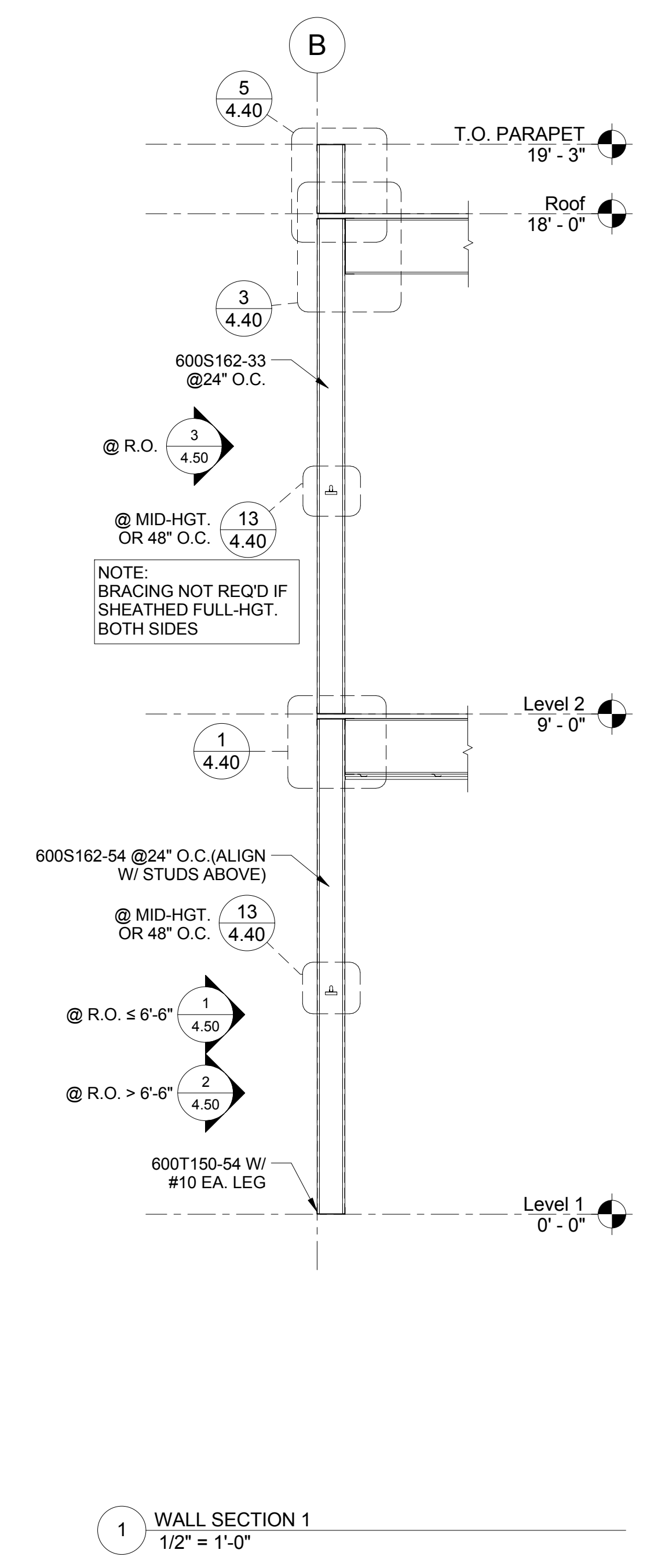
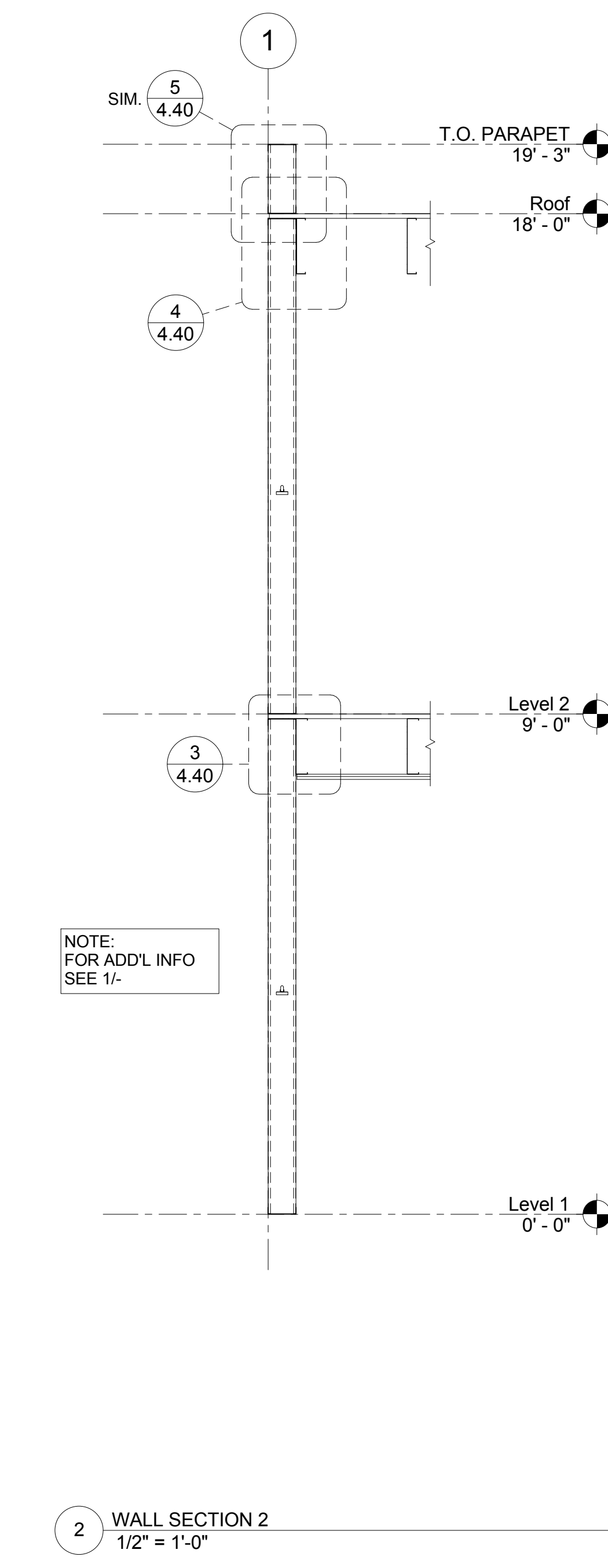
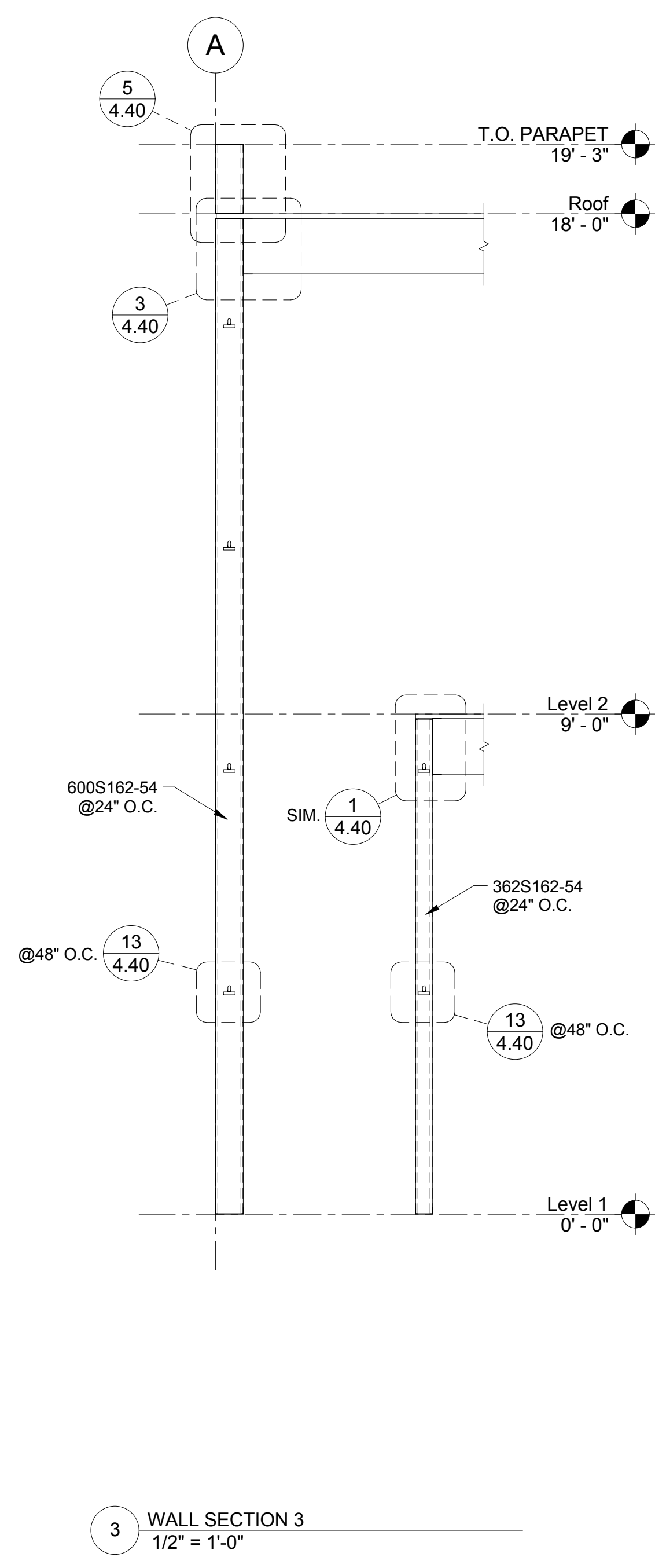
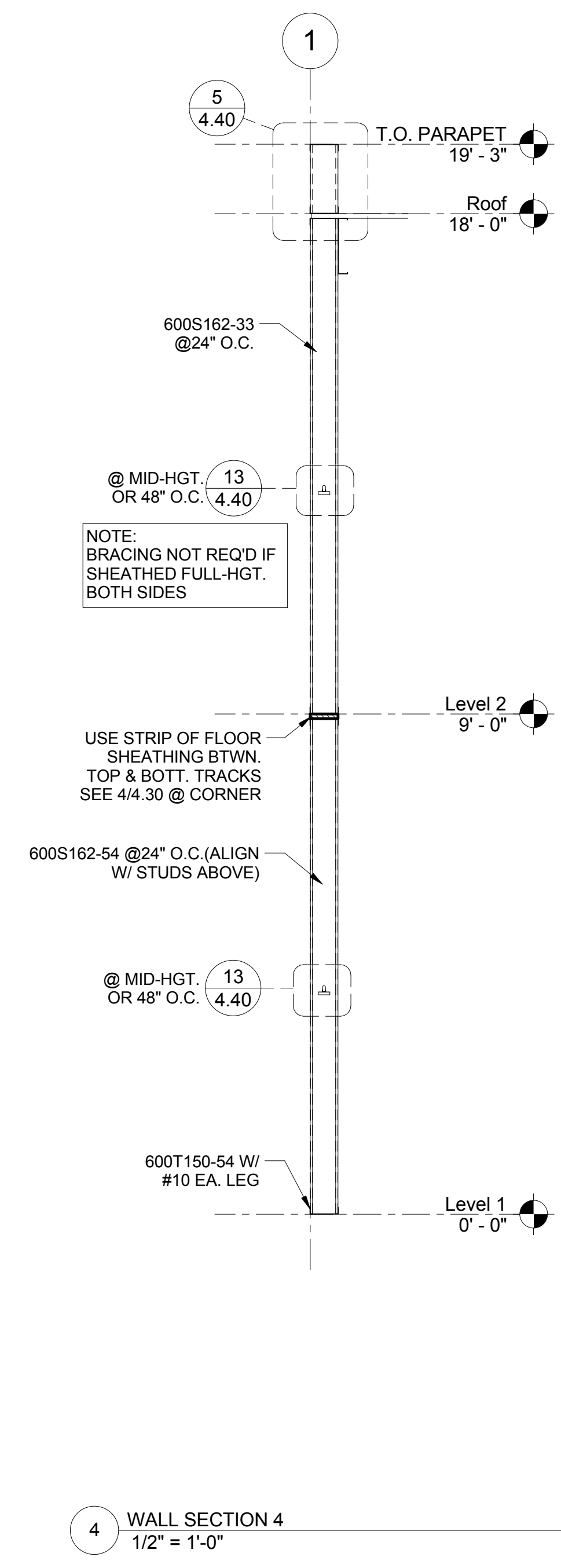
© COPYRIGHT 2009
 DEVCO ENGINEERING, INC.
 ALL RIGHTS RESERVED.

PROJECT: CFS - NEES
 PROJECT LOCATION:
 CLIENT: JOHNS HOPKINS UNIVERSITY

SHEET TITLE:
 ELEVATIONS

JOB NO. 10-277
 DRAWN BY: DEVCO
 DRAWING:
SF 4.11

5/28/2013 11:16:10 PM



JOB NO. 10-277
DRAWN BY: DEVCO
DRAWING: SF 4.20

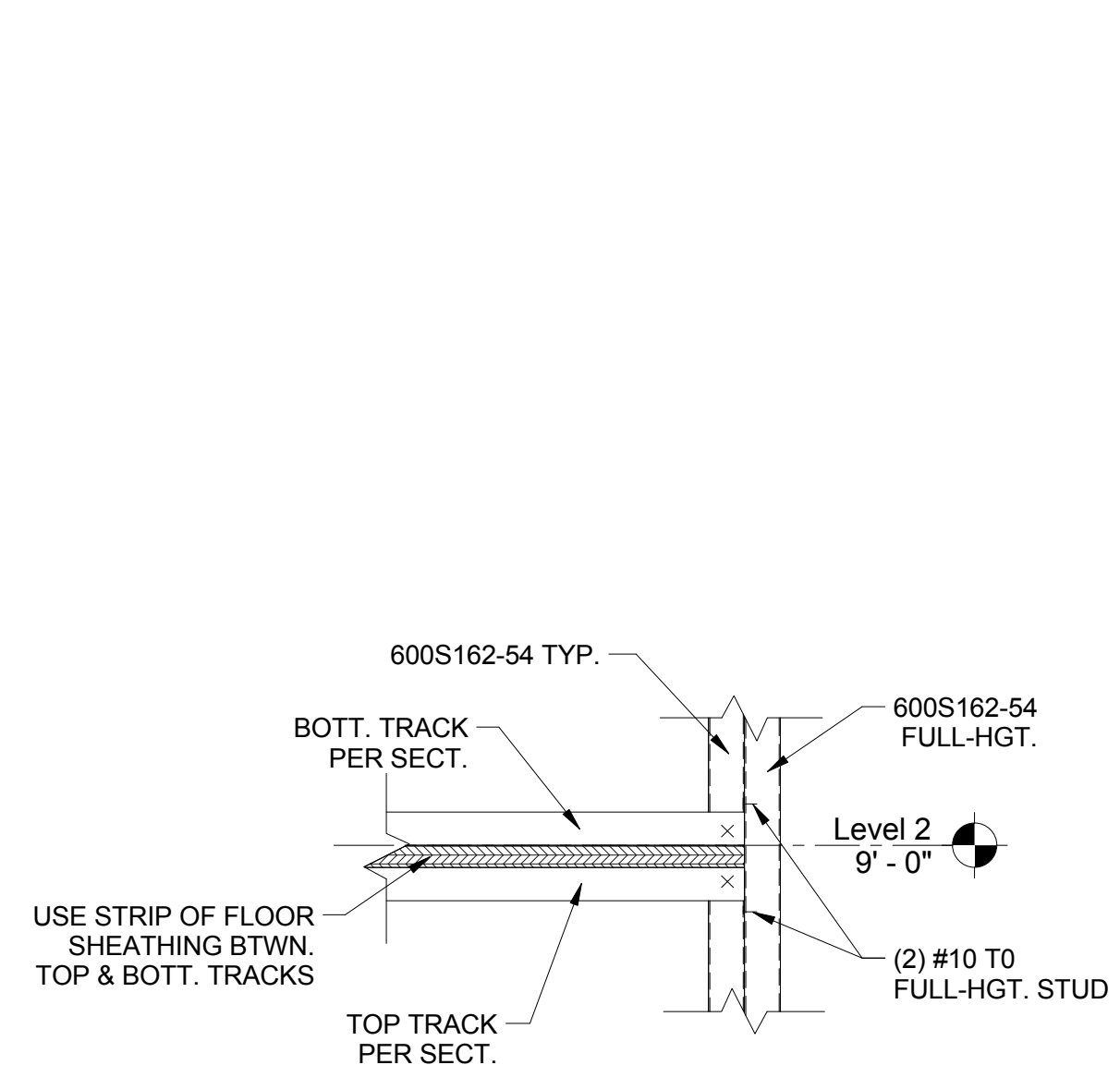
SHEET TITLE:
WALL SECTIONS

PROJECT: CFS - NEES
PROJECT LOCATION:
CLIENT: JOHNS HOPKINS UNIVERSITY

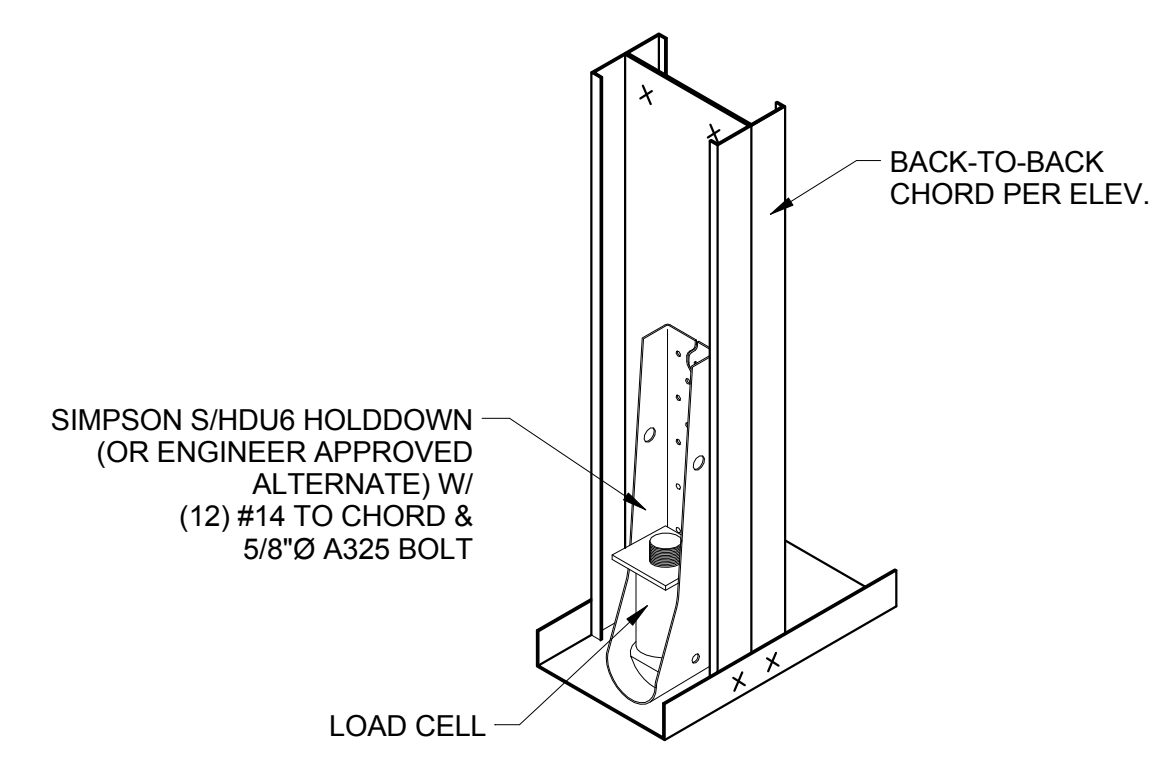
devco
Corvallis
Oregon
engineering inc.
245 NE CONIFER, P.O. BOX 1211
CORVALLIS, OR 97339
WWW.DEVCOENGINEERING.COM
© COPYRIGHT 2009
DEVCO ENGINEERING, INC.
ALL RIGHTS RESERVED.

DRAWING STATUS:	DATE:	NO.:	REVISION:	DATE:
<input checked="" type="checkbox"/> PRELIMINARY	05/28/13	1		
<input type="checkbox"/> SUBMITTED				
<input type="checkbox"/> BID SET				
<input type="checkbox"/> PERMIT SET				
<input type="checkbox"/> CONST. SET				

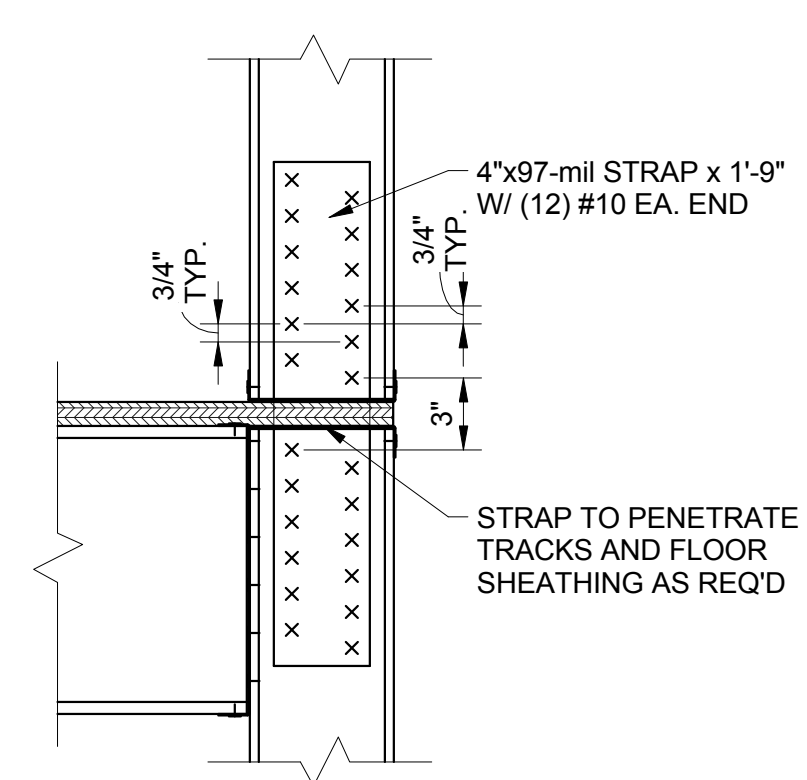
PRELIMINARY



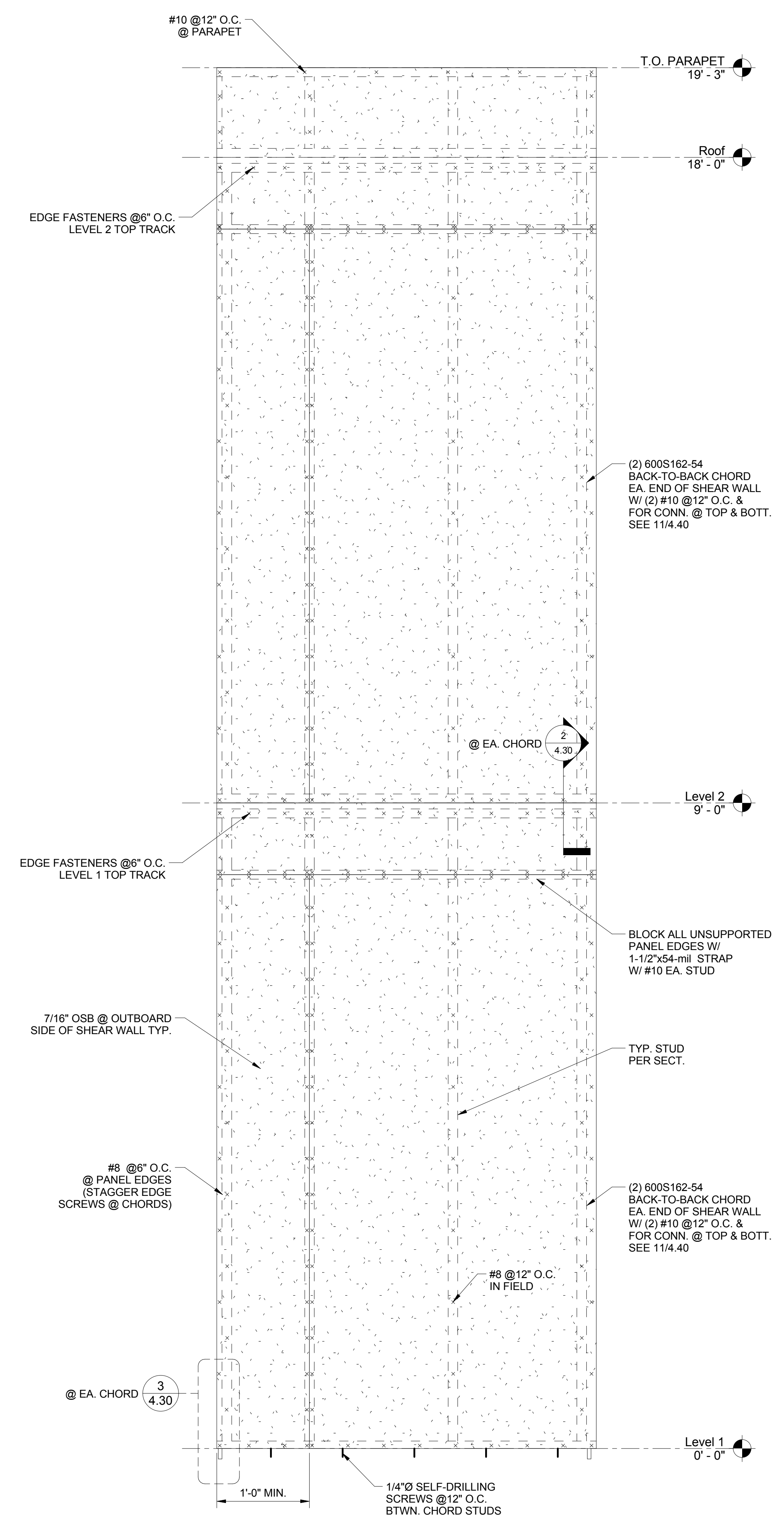
4 ENLARGED VIEW @ SHEAR WALL
 1 1/2" = 1'-0"



3 SHEAR WALL HOLDOWNS
 1 1/2" = 1'-0"



2 SHEAR WALL LEVEL 2 TIE
 1 1/2" = 1'-0"



1 SHEAR WALL TYPE I ELEVATION
 1" = 1'-0"

PRELIMINARY

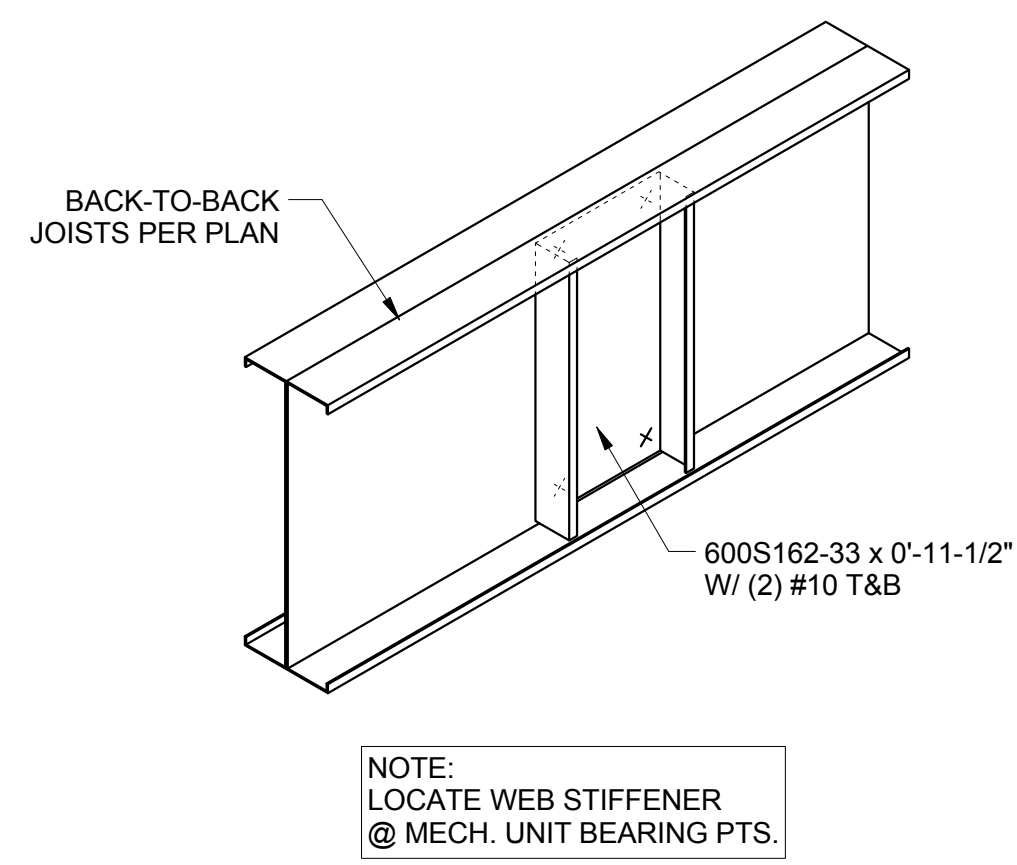
DRAWING STATUS:	DATE:	REVISION:	DATE:
<input checked="" type="checkbox"/> PRELIMINARY	05/28/13		
<input type="checkbox"/> SUBMITTED			
<input type="checkbox"/> BID SET			
<input type="checkbox"/> PERMIT SET			
<input type="checkbox"/> CONST. SET			

Corvallis Oregon
 devco engineering inc. (541) 752-8991
 245 NE CONIFER, P.O. BOX 1211
 CORVALLIS, OR 97339
 WWW.DEVCOENGINEERING.COM
 © COPYRIGHT 2009
 DEVCO ENGINEERING, INC.
 ALL RIGHTS RESERVED.

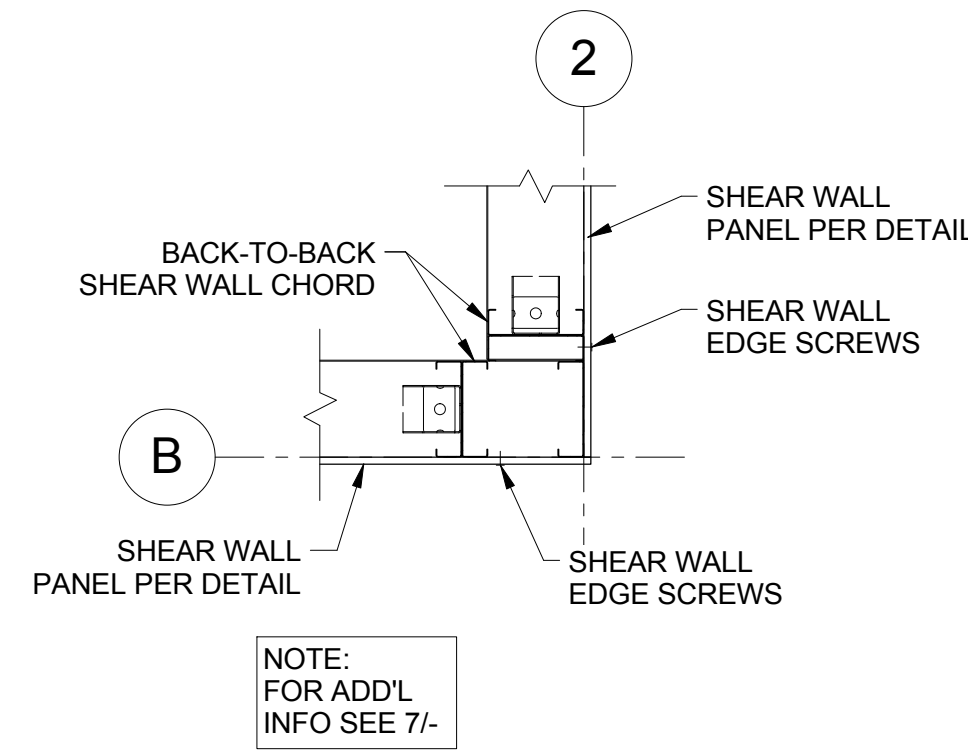
PROJECT: CFS - NEES
 PROJECT LOCATION:
 CLIENT: JOHNS HOPKINS UNIVERSITY

SHEET TITLE:
 SHEAR WALL ELEVATIONS

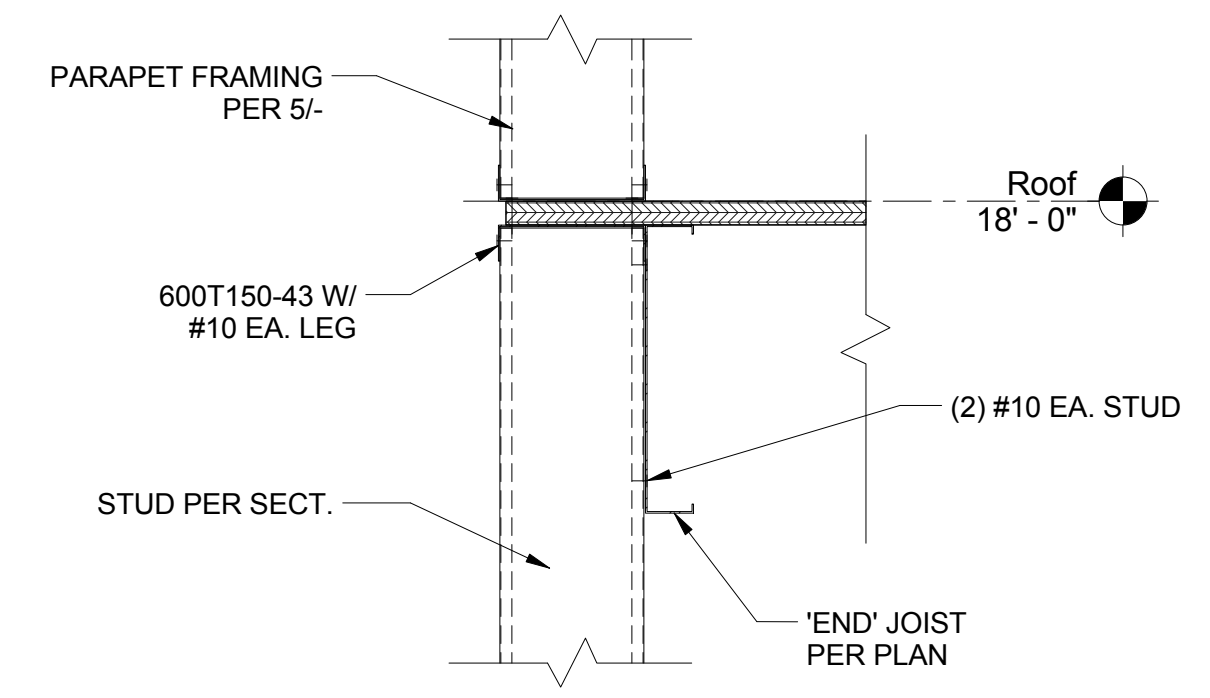
JOB NO. 10-277
 DRAWN BY: DEVCO
 DRAWING:
 SF 4.30



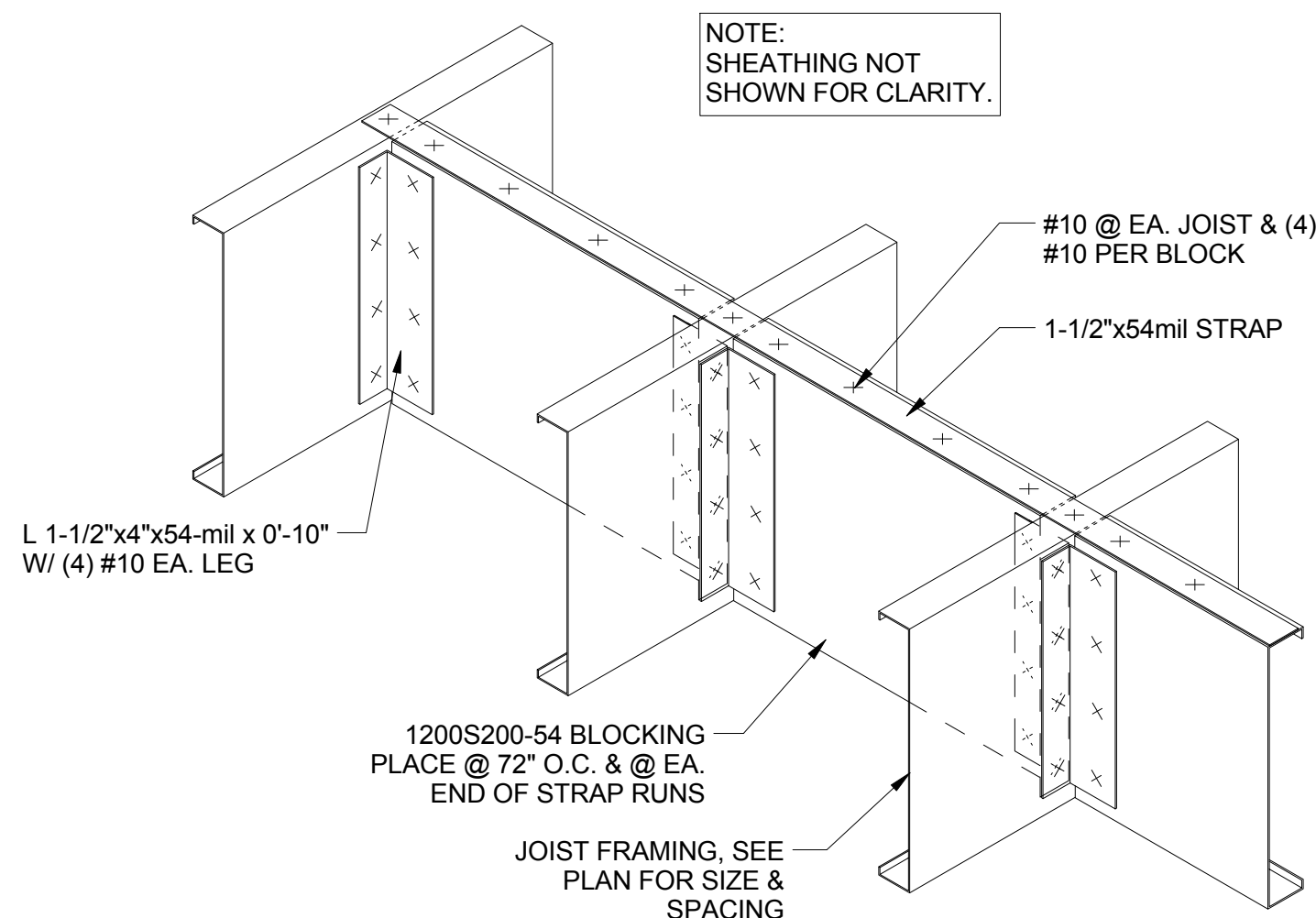
16 JOIST WEB STIFFENER @ MECH. UNIT
1 1/2" = 1'-0"



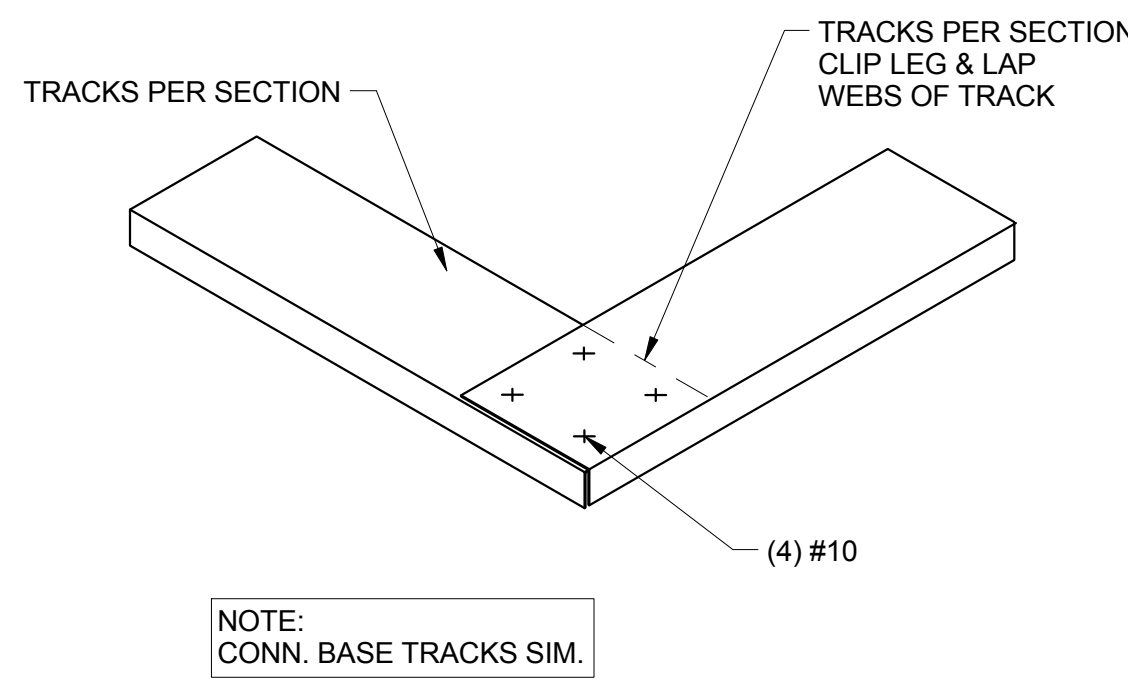
8 CORNER LAYOUT - SE CORNER
1" = 1'-0"



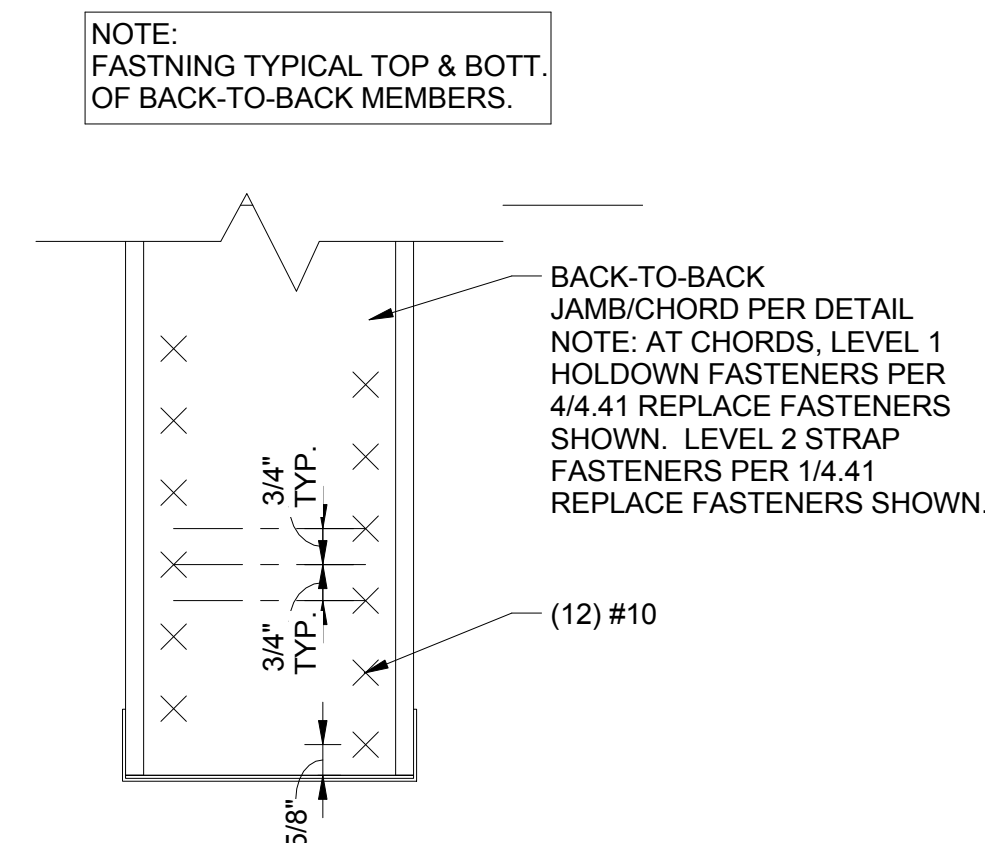
4 ENLARGED SECTION @ ROOF - JOIST PARALLEL
1 1/2" = 1'-0"



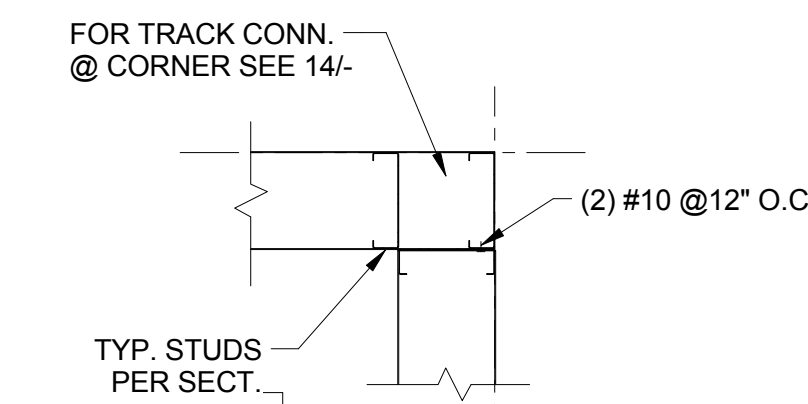
19 JOIST SOLID BLOCKING DETAIL
1 1/2" = 1'-0"



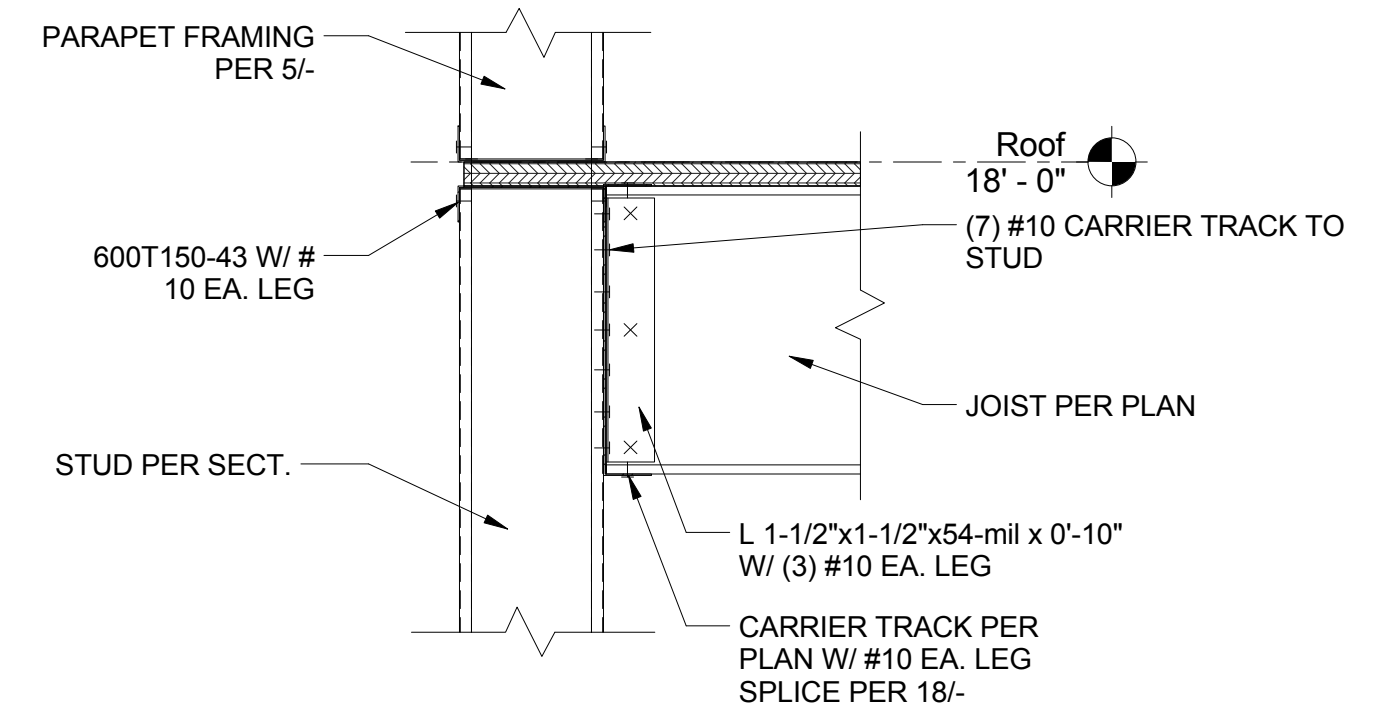
15 TRACK LAP @ CORNER
N.T.S.



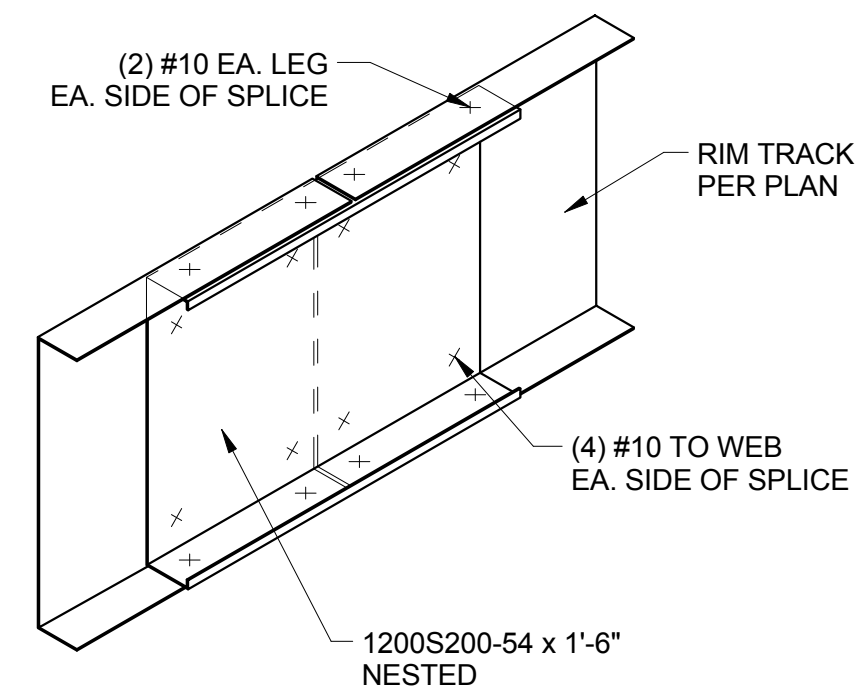
11 JAMB / SHEAR WALL CHORD ENDS
3" = 1'-0"



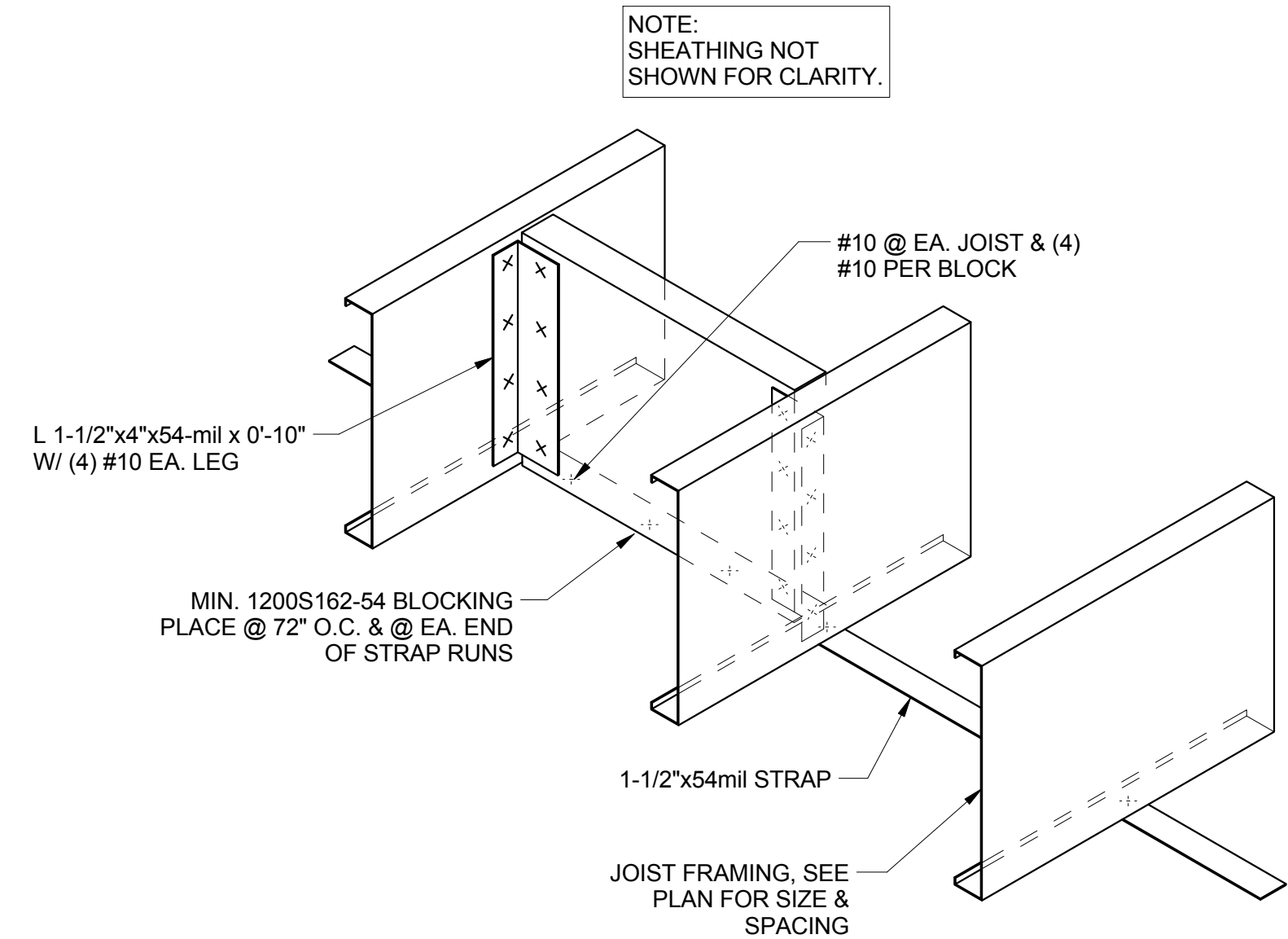
7 CORNER LAYOUT - TYP.
1" = 1'-0"



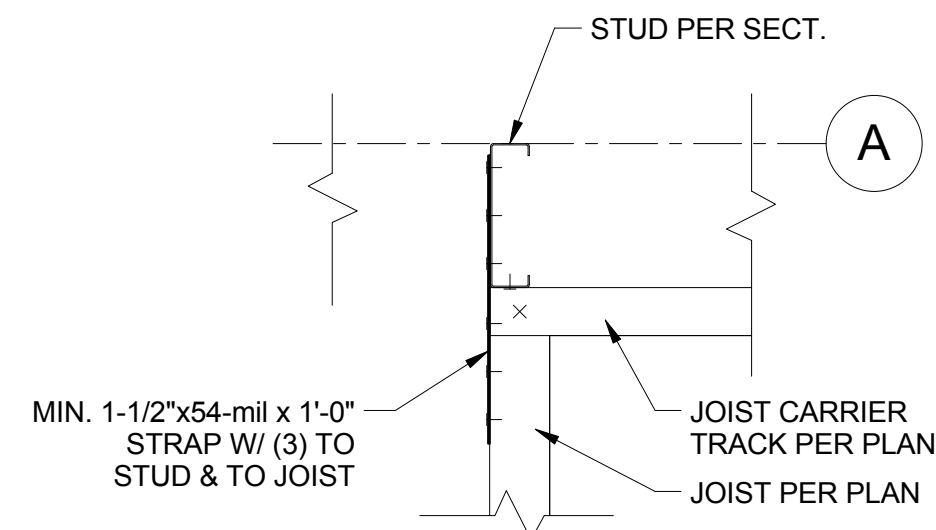
3 ENLARGED SECTION @ ROOF - JOIST PERP.
1 1/2" = 1'-0"



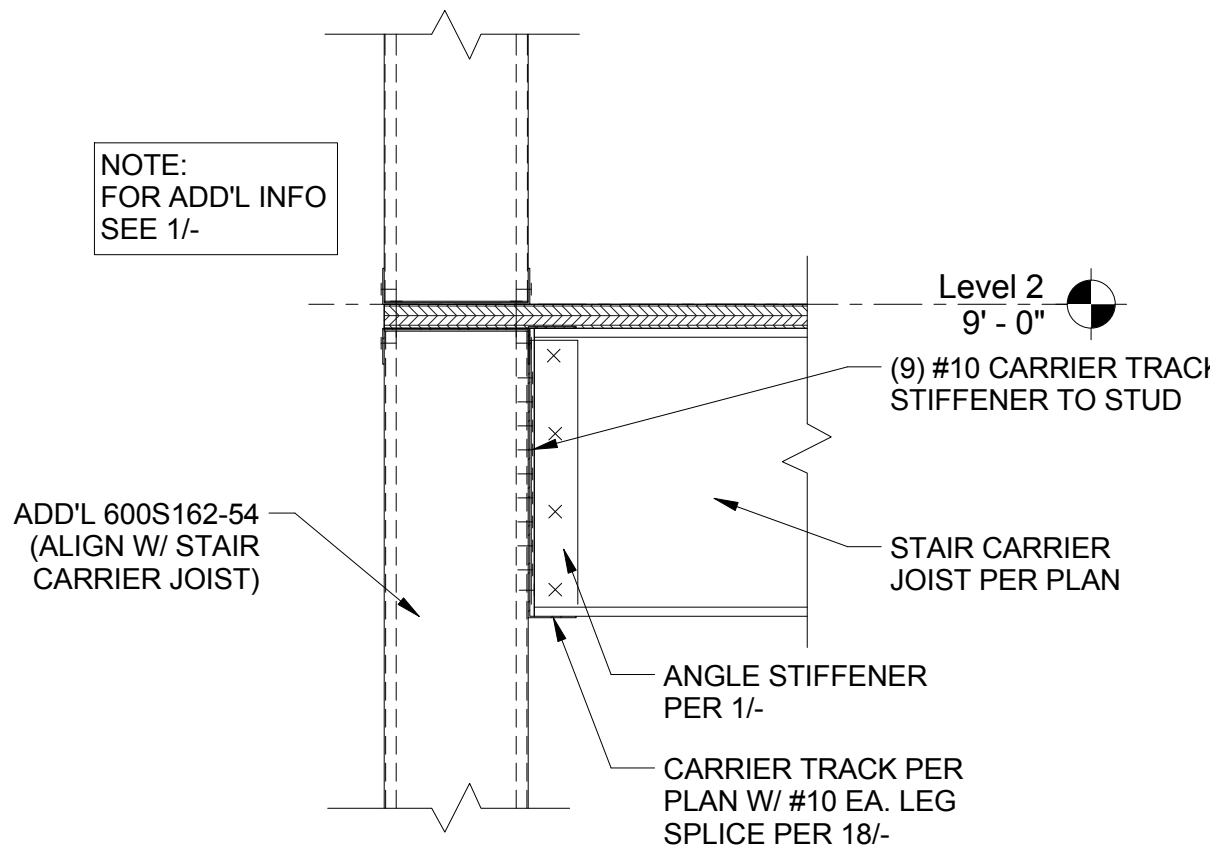
18 RIM TRACK SPLICE
1 1/2" = 1'-0"



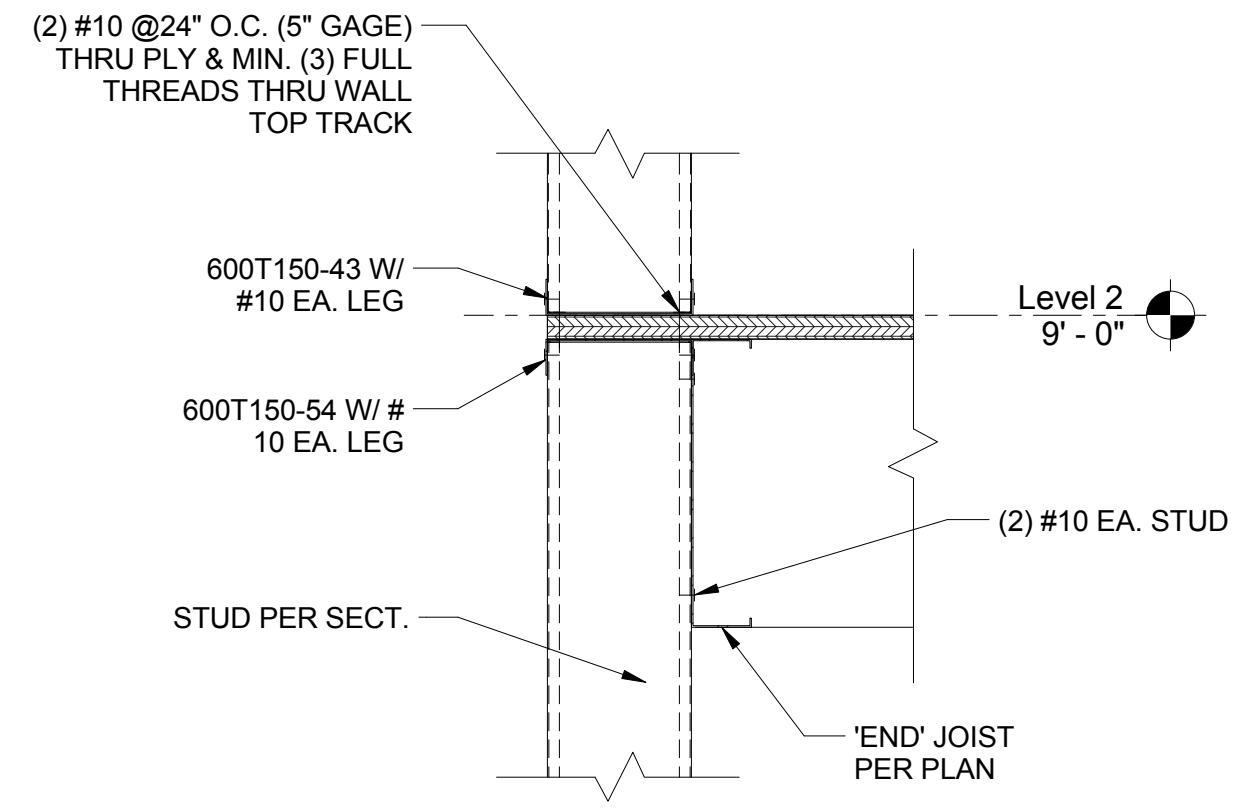
14 JOIST BLOCKING DETAIL
1 1/2" = 1'-0"



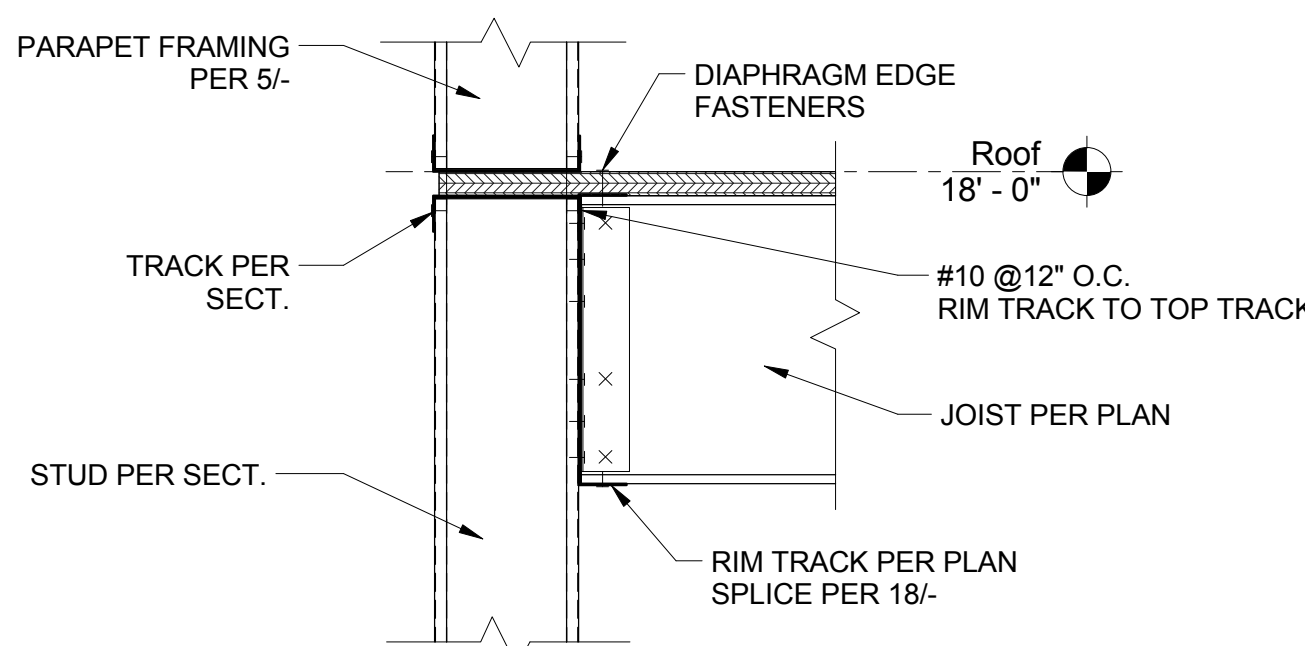
10 JOIST TIE @ EDGE OF CLERESTORY
1 1/2" = 1'-0"



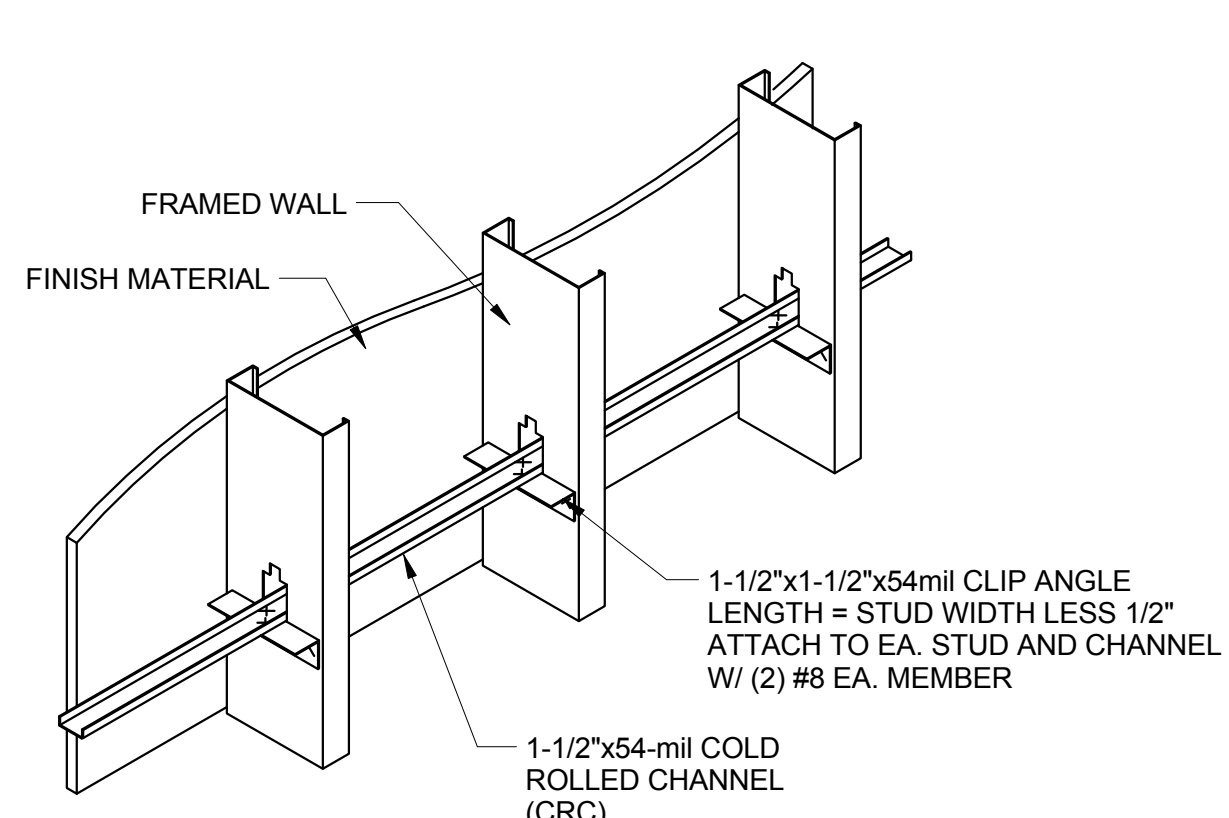
6 ENLARGED SECTION @ STAIR CARRIER
1 1/2" = 1'-0"



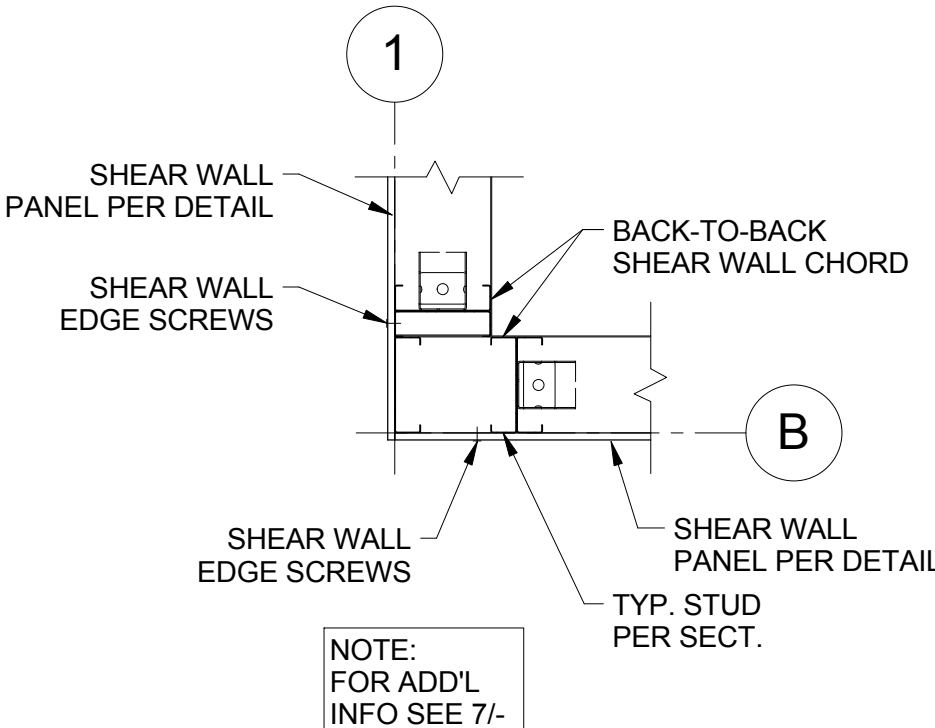
2 ENLARGED SECTION @ 2ND FLOOR - JOIST PARALLEL
1 1/2" = 1'-0"



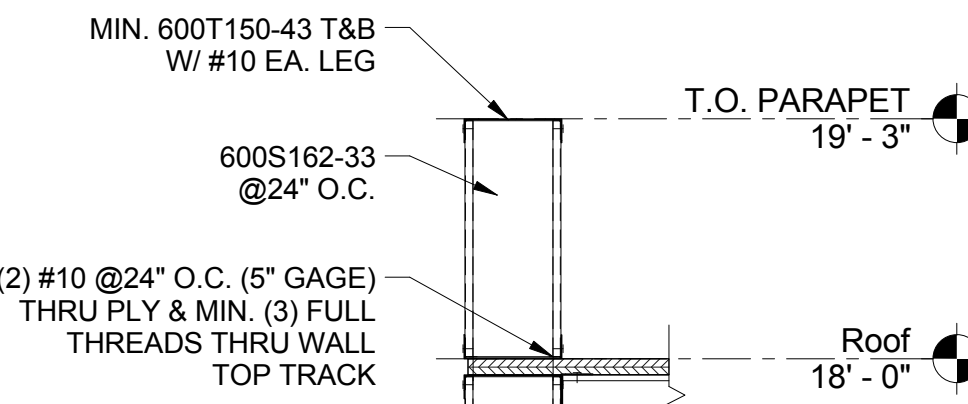
17 ENLARGED SECTION @ ROOF DIAPHRAGM EDGE
1 1/2" = 1'-0"



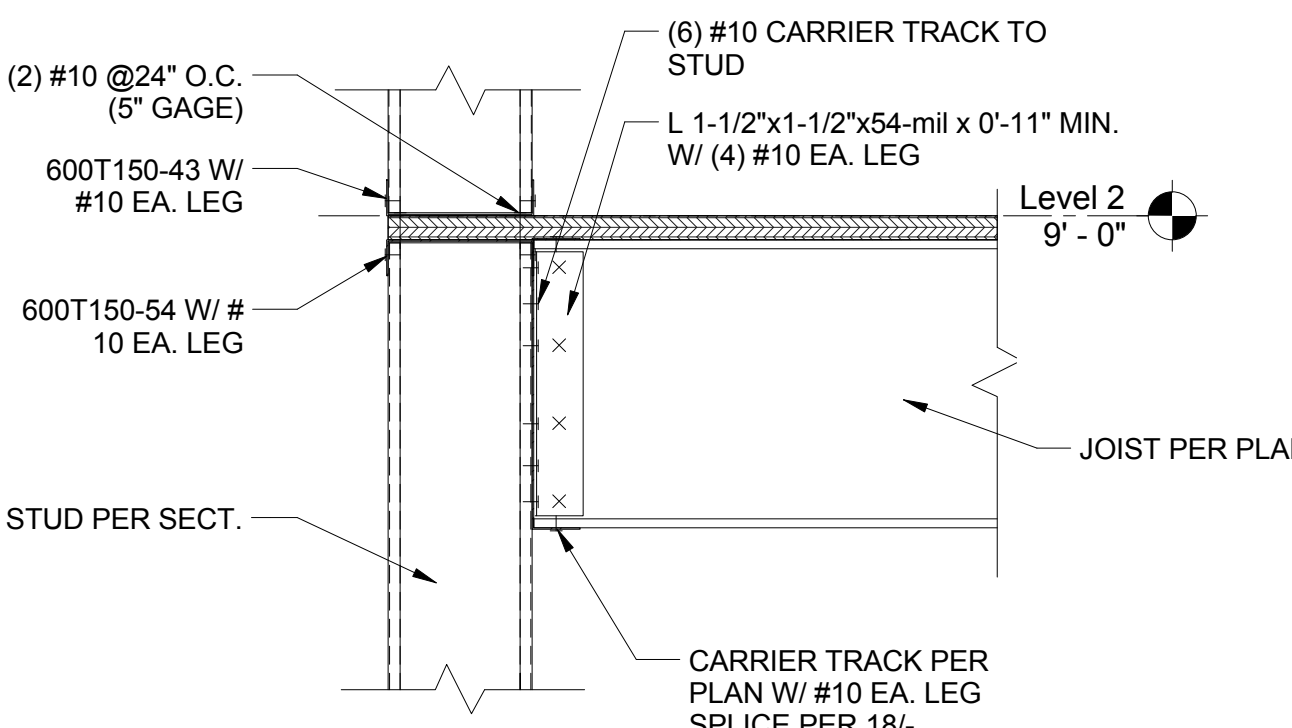
13 WALL BRACING - CRC
N.T.S.



9 CORNER LAYOUT - SW CORNER
1" = 1'-0"



5 ENLARGED SECTION @ PARAPET
1" = 1'-0"



1 ENLARGED SECTION @ 2ND FLOOR - JOIST PERP.
1 1/2" = 1'-0"

PRELIMINARY

DRAWING STATUS:	DATE:
PRELIMINARY	05/28/2013
SUBMITTED	
BID SET	
PERMIT SET	
CONST. SET	
REVISION:	
No.	

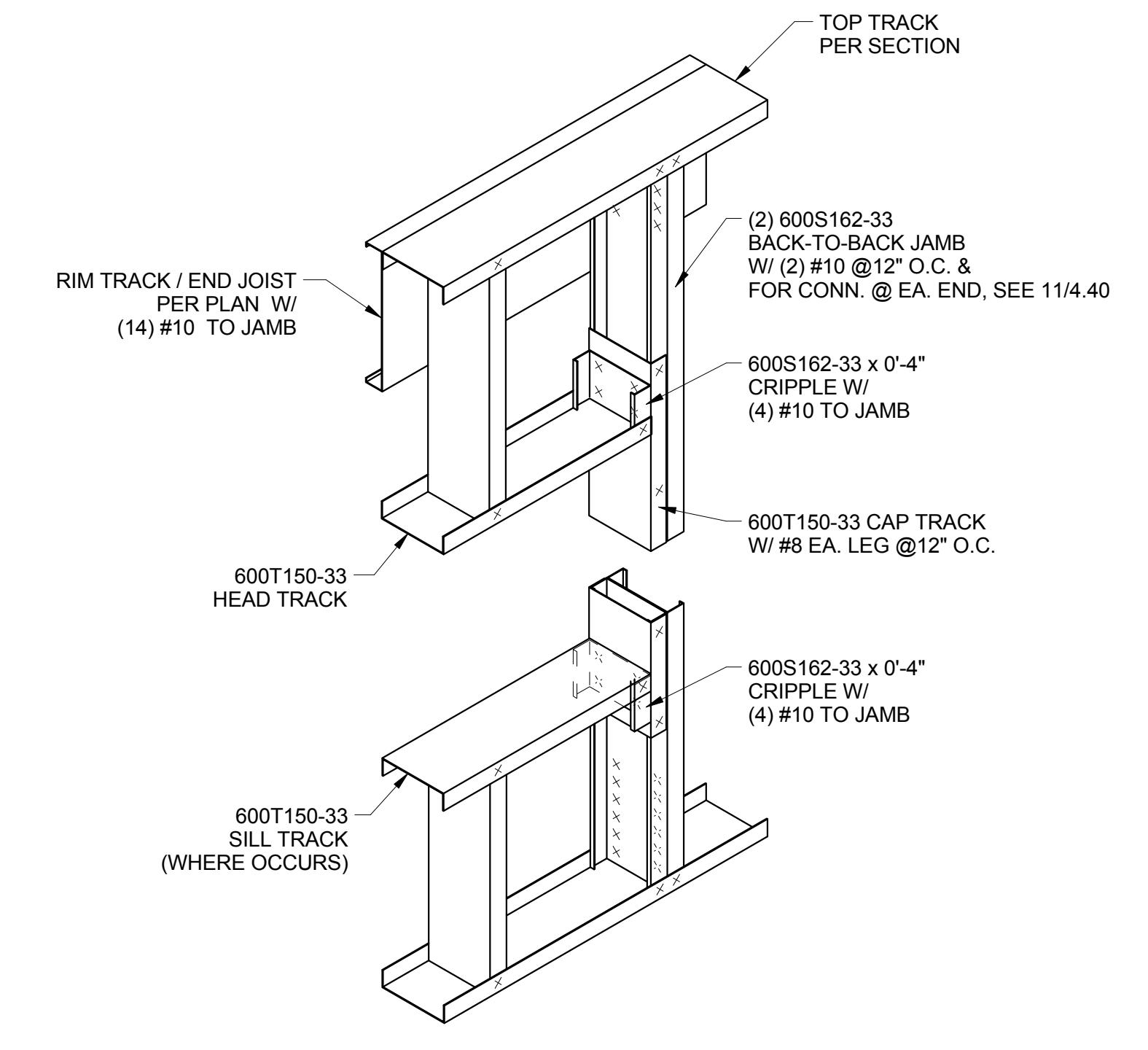
devo
Engineering Inc.
245 NE CONIFER, P.O. BOX 1211
CORVALLIS, OR 97339
WWW.DEVCOENGINEERING.COM
© COPYRIGHT 2009
DEVCO ENGINEERING, INC.
ALL RIGHTS RESERVED.

PROJECT: CFS - NEES
PROJECT LOCATION: JOHN HOPKINS UNIVERSITY

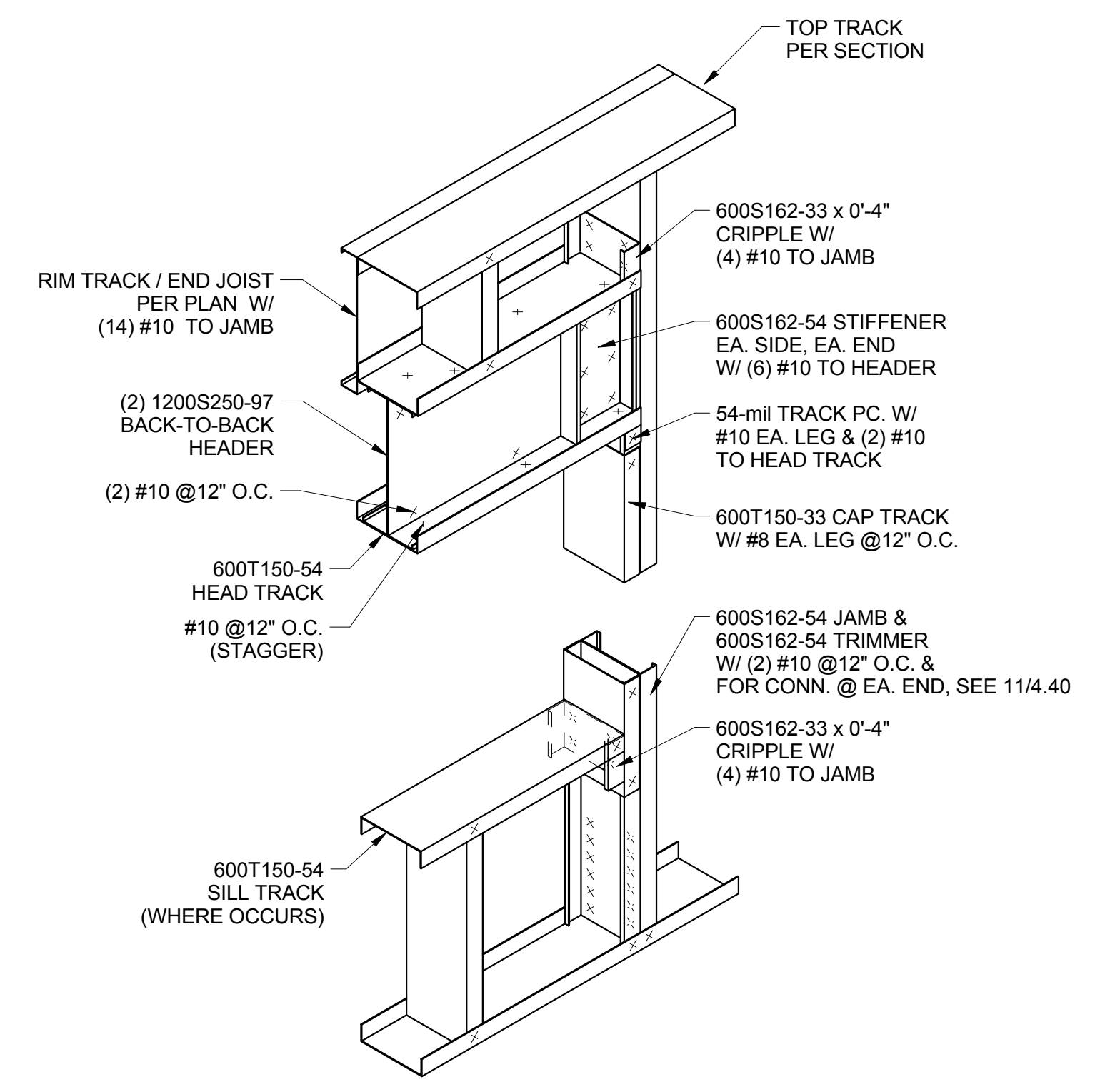
SHEET TITLE: DETAILS

JOB NO. 10-277
DRAWN BY: DEVO
DRAWING: SF 4.40

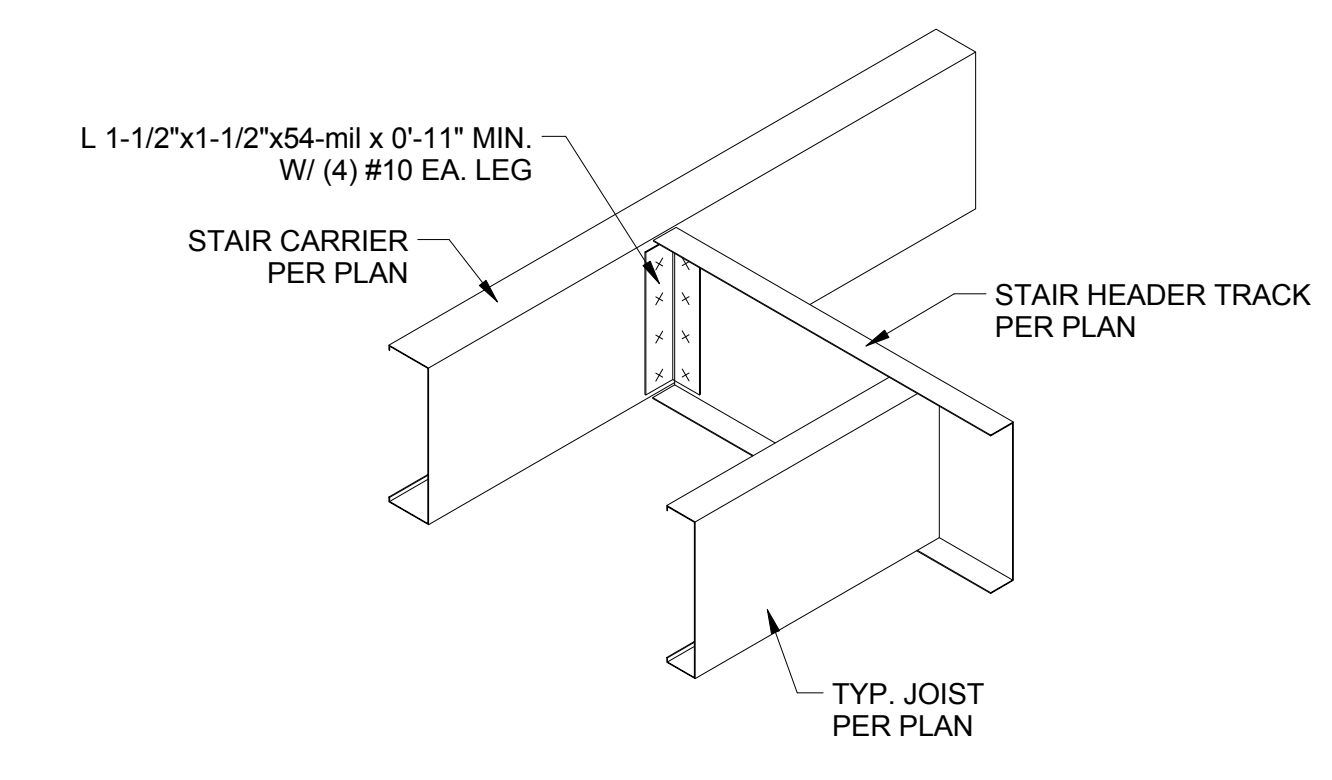
5/28/2013 11:15:54 AM



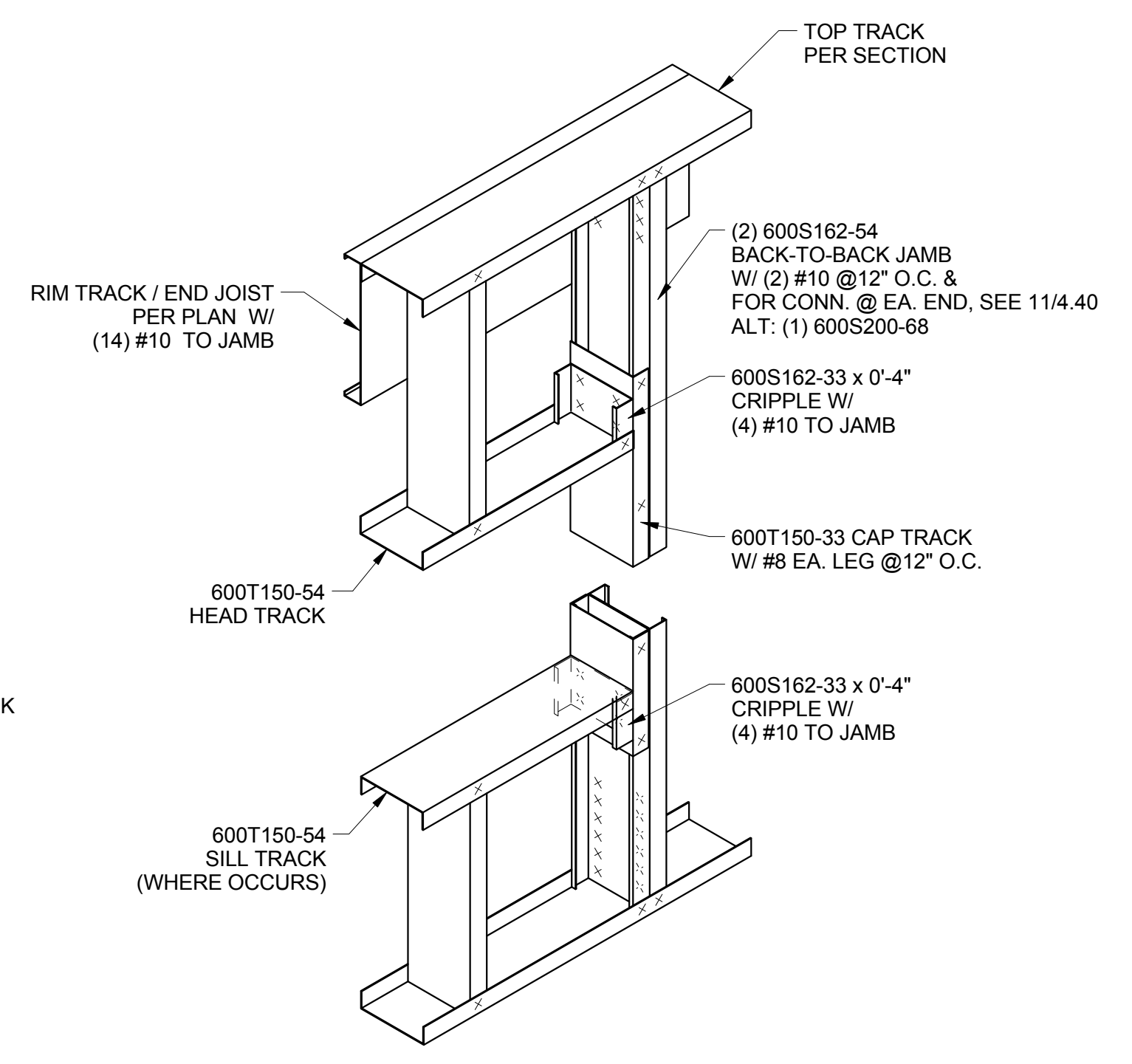
3 LEVEL 2 FRAMED OPENING (R.O. ≤ 8'-0\"/>



2 LEVEL 1 FRAMED OPENING (R.O. > 6'-6\"/>



4 STAIR HEADER CONN.
1" = 1'-0"



1 LEVEL 1 FRAMED OPENING (R.O. ≤ 6'-6\"/>

DRAWING STATUS:	DATE:	NO.	REVISION:	DATE:
<input checked="" type="checkbox"/> PRELIMINARY	05/28/13	1		
<input type="checkbox"/> SUBMITTED				
<input type="checkbox"/> BID SET				
<input type="checkbox"/> PERMIT SET				
<input type="checkbox"/> CONST. SET				

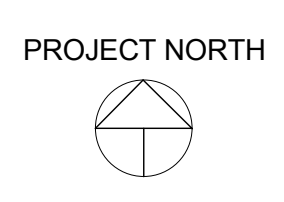
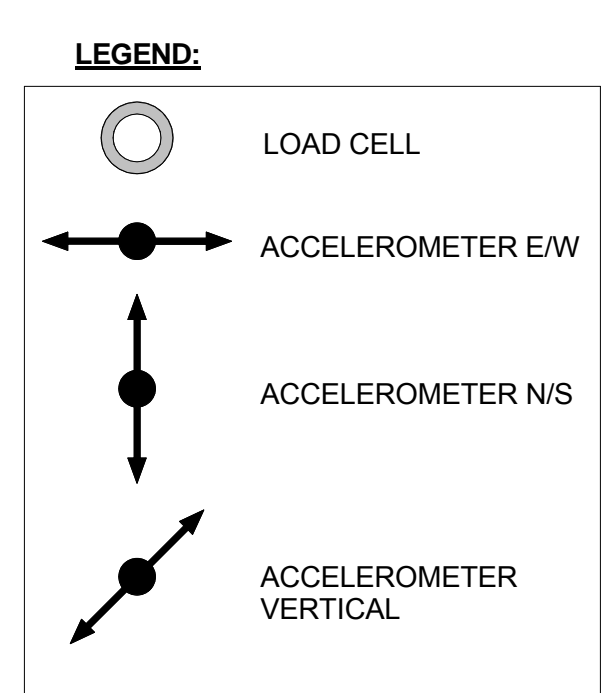
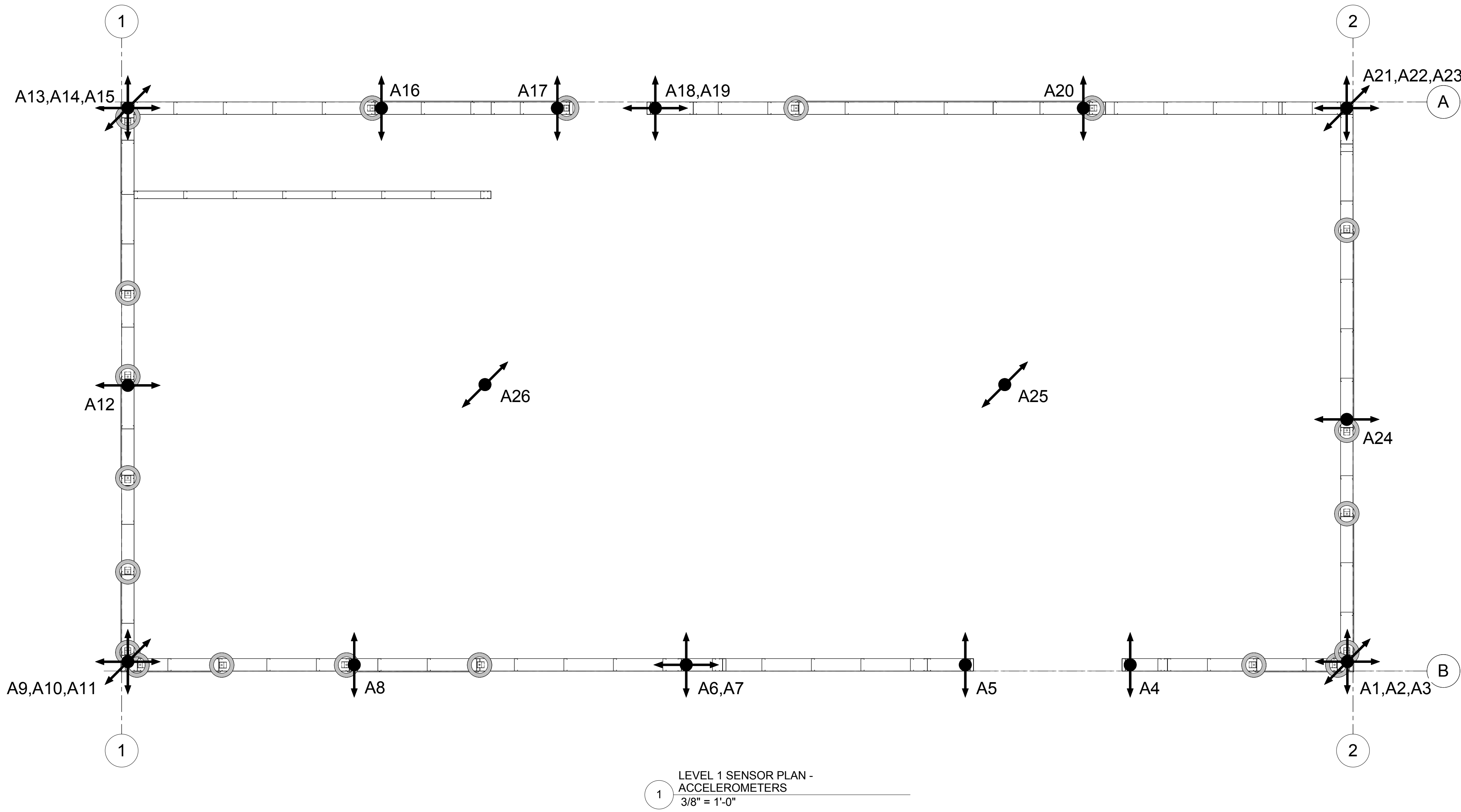
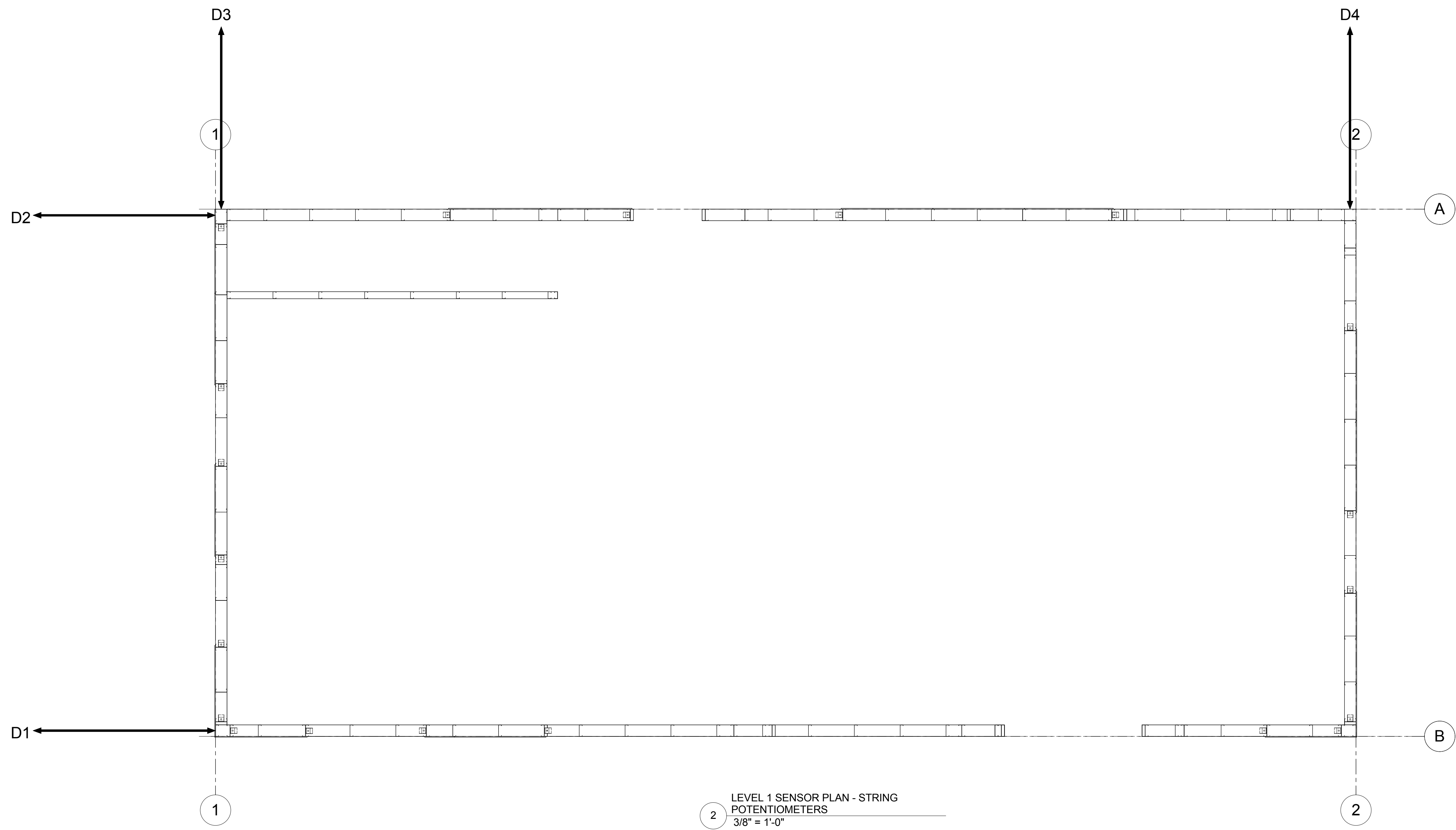

devco
 engineering inc.
 245 NE CONIFER, P.O. BOX 1211
 CORVALLIS, OR 97339
 WWW.DEVCOENGINEERING.COM
 © COPYRIGHT 2009
 DEVCO ENGINEERING, INC.
 ALL RIGHTS RESERVED.

PROJECT: **CFS - NEES**
 PROJECT LOCATION: **JOHNS HOPKINS UNIVERSITY**

SHEET TITLE:
FRAMED OPENING DETAILS

JOB NO. 10-277
 DRAWN BY: DEVCO
 DRAWING:
SF 4.50

5/28/2013 11:56:17 PM



PRELIMINARY

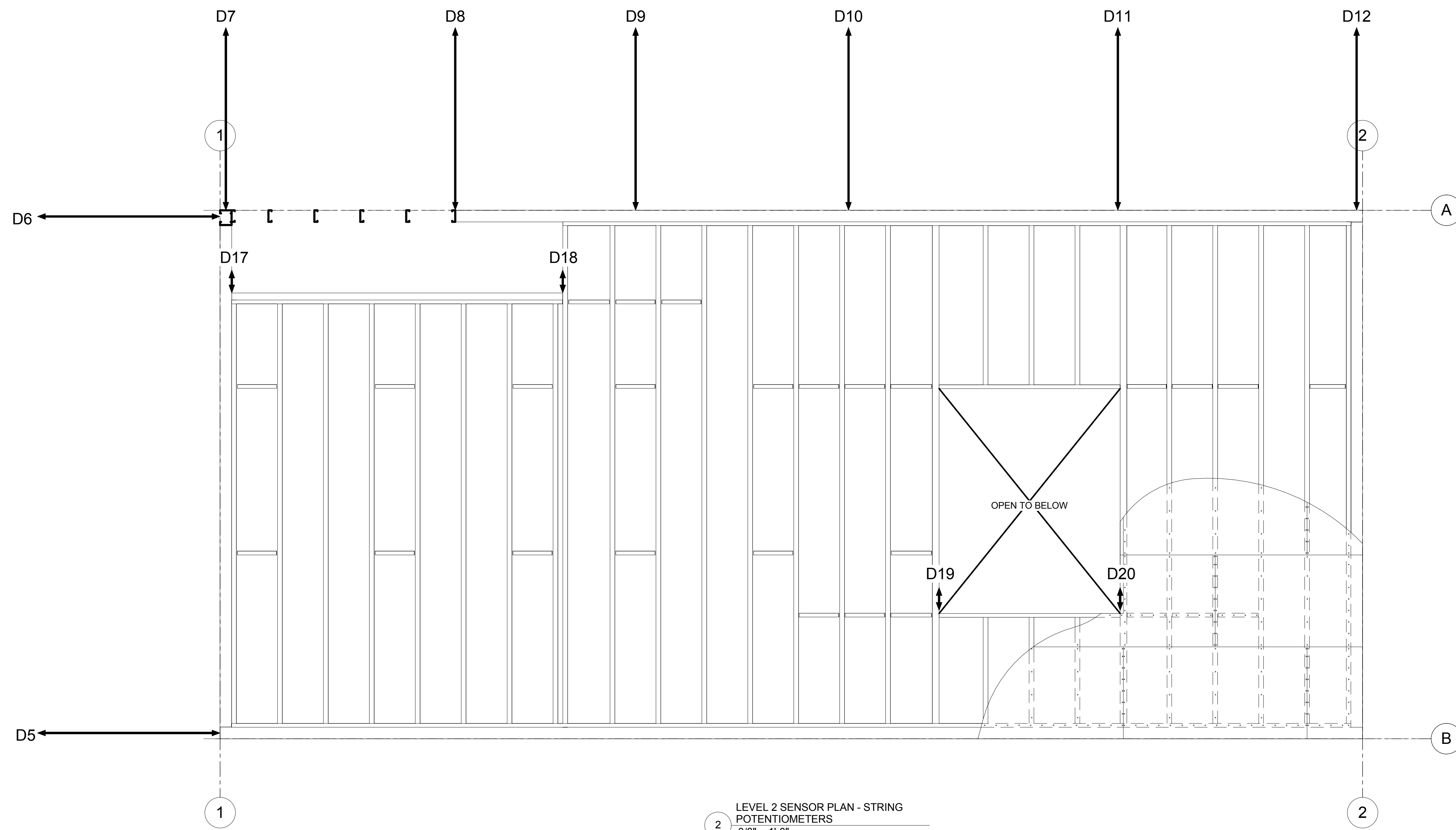
DRAWING STATUS:	DATE:	No.	REVISION:	DATE:
<input checked="" type="checkbox"/> PRELIMINARY	05/27/13	1		
<input checked="" type="checkbox"/> SUBMITTED				
<input type="checkbox"/> BID SET				
<input type="checkbox"/> PERMIT SET				
<input type="checkbox"/> CONST. SET				

devco
 Corvallis Oregon
 engineering inc.
 245 NE CONIFER, P.O. BOX 1211
 CORVALLIS, OR 97339
 WWW.DEVCOENGINEERING.COM
 © COPYRIGHT 2009
 DEVCO ENGINEERING, INC.
 ALL RIGHTS RESERVED.

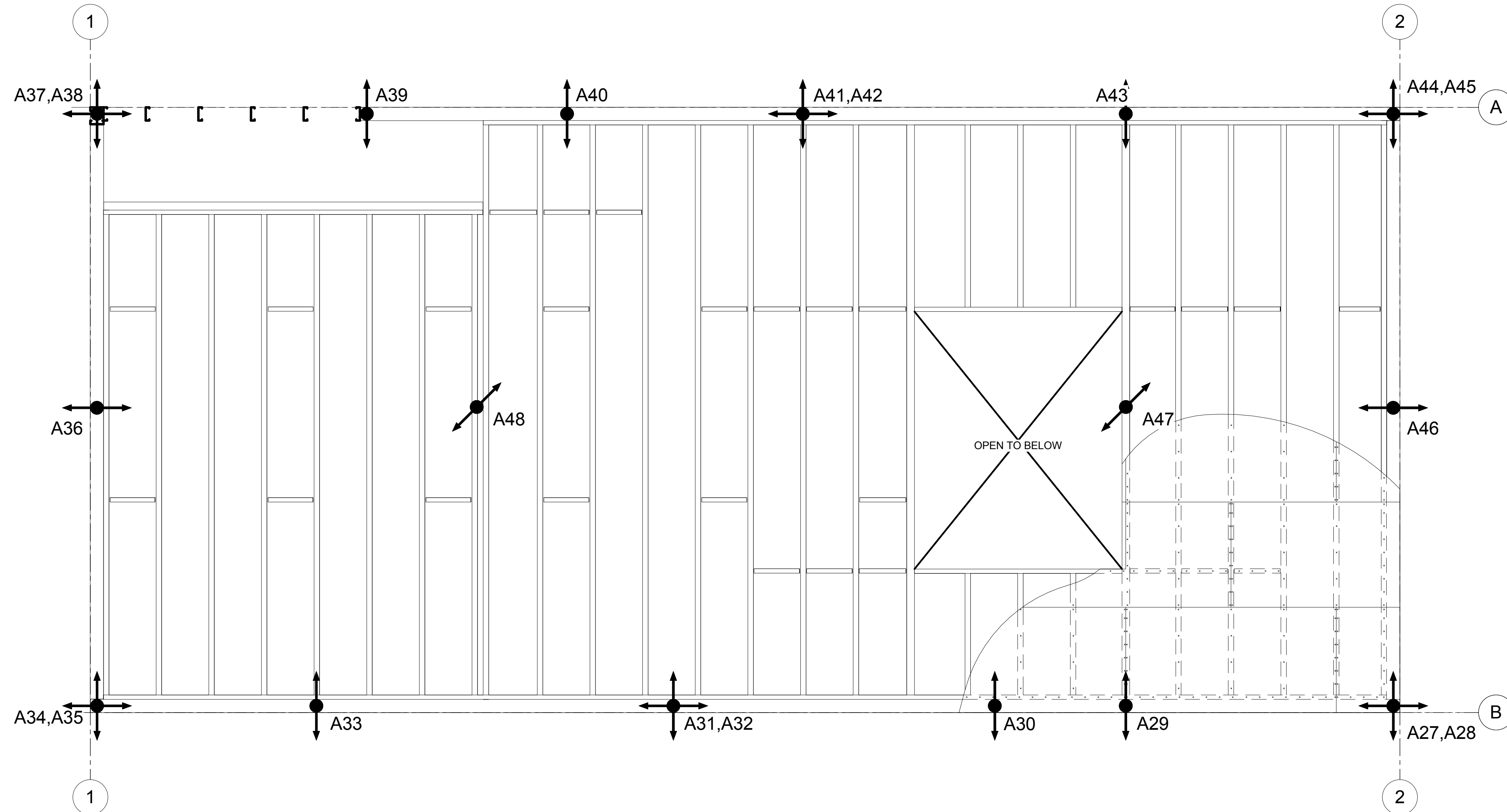
PROJECT: CFS - NEES
 PROJECT LOCATION:
 CLIENT: JOHNS HOPKINS UNIVERSITY

SHEET TITLE:
LEVEL 1 SENSOR PLANS

JOB NO. 10-277
 DRAWN BY: DEVCO
 DRAWING:
SF 6.00



2 LEVEL 2 SENSOR PLAN - STRING POTENTIOMETERS
3/8" = 1'-0"



1 LEVEL 2 SENSOR PLAN - ACCELEROMETERS
3/8" = 1'-0"

LEGEND:

	LOAD CELL
	ACCELEROMETER EW
	ACCELEROMETER N/S
	ACCELEROMETER VERTICAL



PRELIMINARY

DRAWING STATUS:	DATE:	No.	REVISION:	DATE:
<input checked="" type="checkbox"/> PRELIMINARY	05/28/13	1		
<input checked="" type="checkbox"/> SUBMITTED		2		
<input type="checkbox"/> BID SET		3		
<input type="checkbox"/> PERMIT SET		4		
<input type="checkbox"/> CONST. SET		5		

devco
 engineering inc.
 245 NE CONIFER, P.O. BOX 1211
 CORVALLIS, OR 97339
 WWW.DEVCOENGINEERING.COM

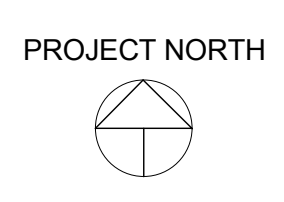
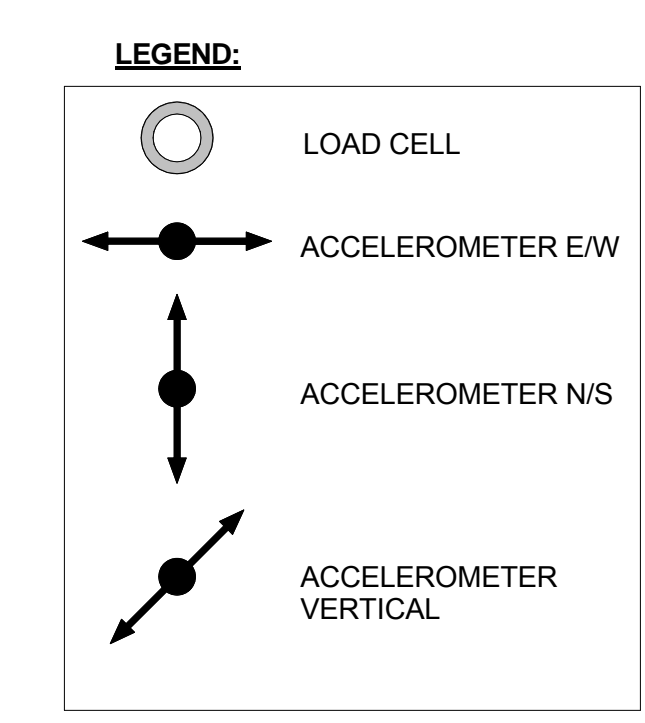
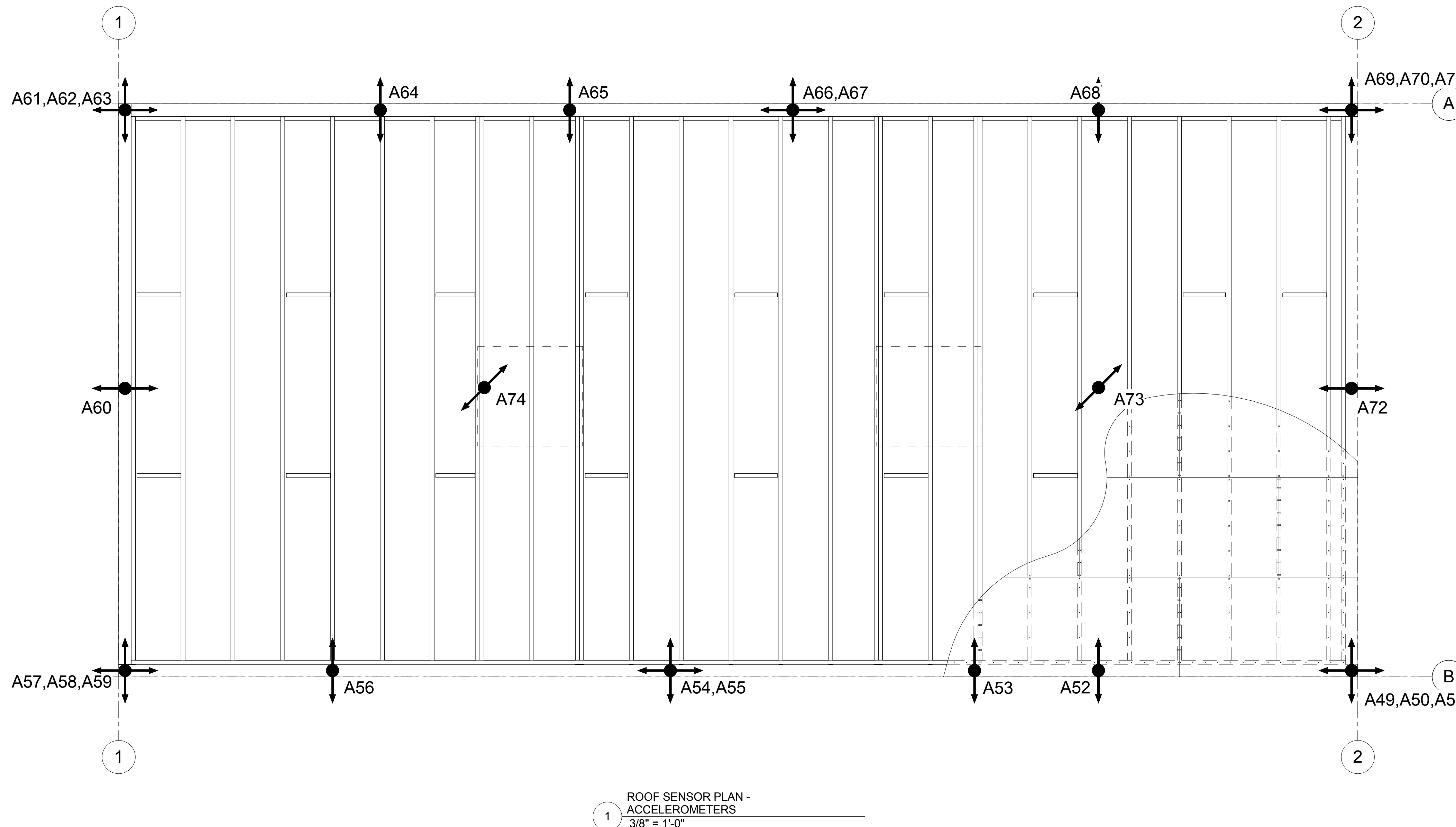
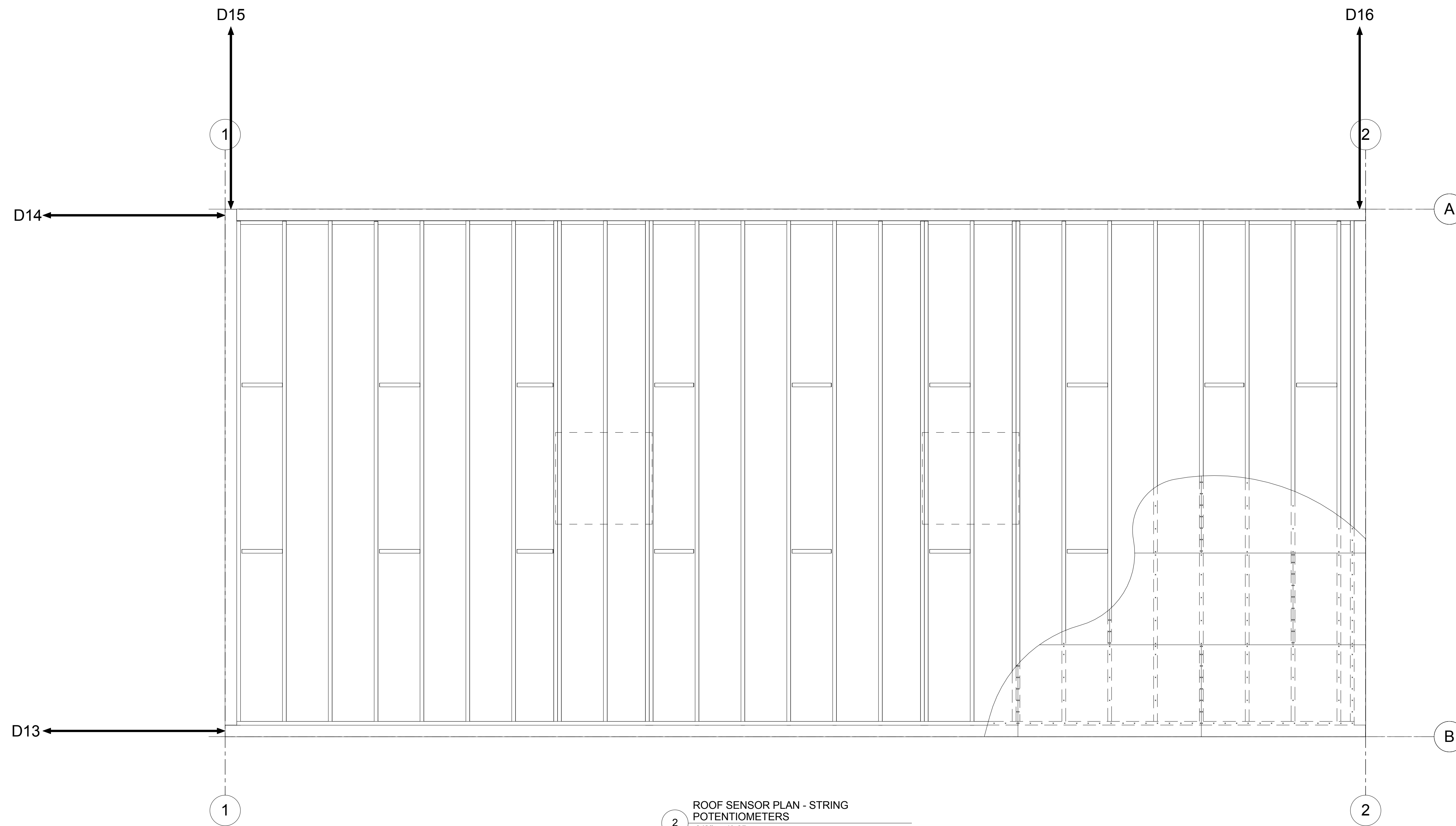
© COPYRIGHT 2009
 DEVCO ENGINEERING, INC.
 ALL RIGHTS RESERVED.

PROJECT: CFS - NEES
 PROJECT LOCATION: JOHNS HOPKINS UNIVERSITY

SHEET TITLE: LEVEL 2 SENSOR PLANS

JOB NO. 10-277
 DRAWN BY: DEVCO
 DRAWING: SF 6.01

5/28/2013 11:50:19 PM



PRELIMINARY

DRAWING STATUS:	DATE:	No.	REVISION:	DATE:
<input checked="" type="checkbox"/> PRELIMINARY	05/27/13	1		
<input checked="" type="checkbox"/> SUBMITTED		2		
<input type="checkbox"/> BID SET		3		
<input type="checkbox"/> PERMIT SET		4		
<input type="checkbox"/> CONST. SET		5		

devco
 engineering inc.
 245 NE CONIFER, P.O. BOX 1211
 CORVALLIS, OR 97339
 WWW.DEVCOENGINEERING.COM

© COPYRIGHT 2009
 DEVCO ENGINEERING, INC.
 ALL RIGHTS RESERVED.

PROJECT: CFS - NEES
 PROJECT LOCATION: JOHN HOPKINS UNIVERSITY
 CLIENT: JOHN HOPKINS UNIVERSITY

SHEET TITLE:
ROOF SENSOR PLANS

JOB NO. 10-277
 DRAWN BY: DEVCO
 DRAWING:
SF 6.02

PRELIMINARY

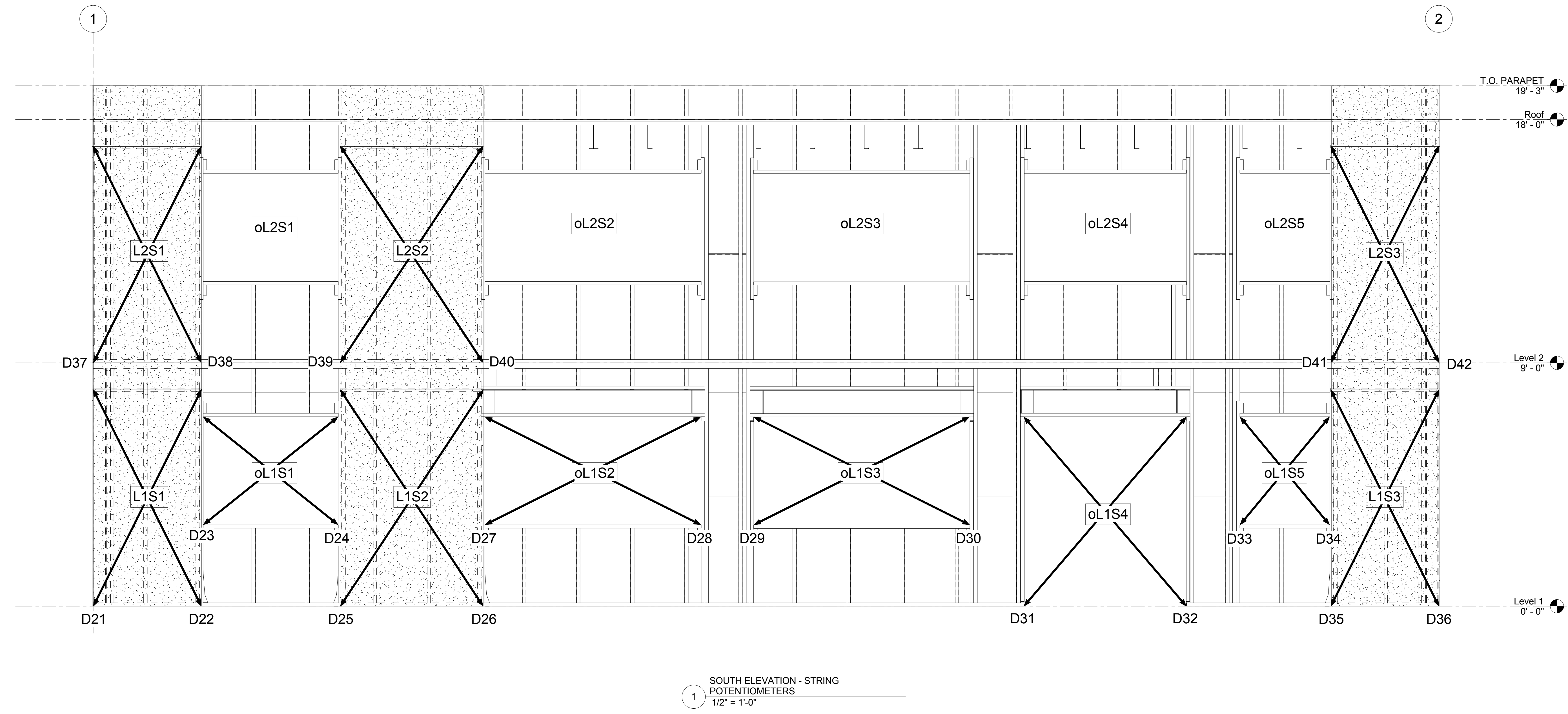
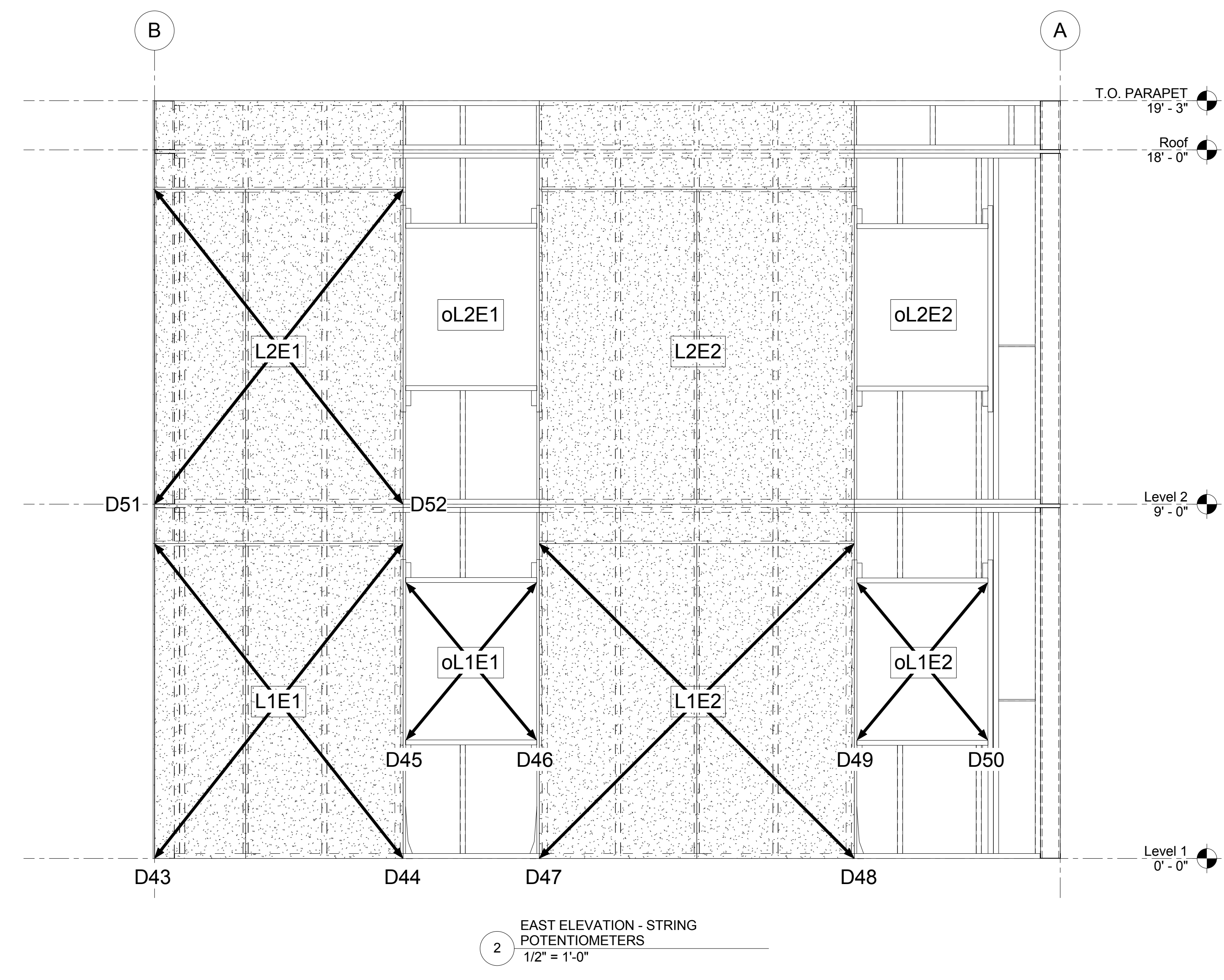
DRAWING STATUS:	DATE:	NO.:	REVISION:	DATE:
<input checked="" type="checkbox"/> PRELIMINARY	05/28/2013	1		
<input checked="" type="checkbox"/> SUBMITTED				
<input type="checkbox"/> BID SET				
<input type="checkbox"/> PERMIT SET				
<input type="checkbox"/> CONST. SET				


DEVCO
 engineering inc.
 245 NE CONIFER, P.O. BOX 1211
 CORVALLIS, OR 97339
 WWW.DEVCOENGINEERING.COM
 © COPYRIGHT 2009
 DEVCO ENGINEERING, INC.
 ALL RIGHTS RESERVED.

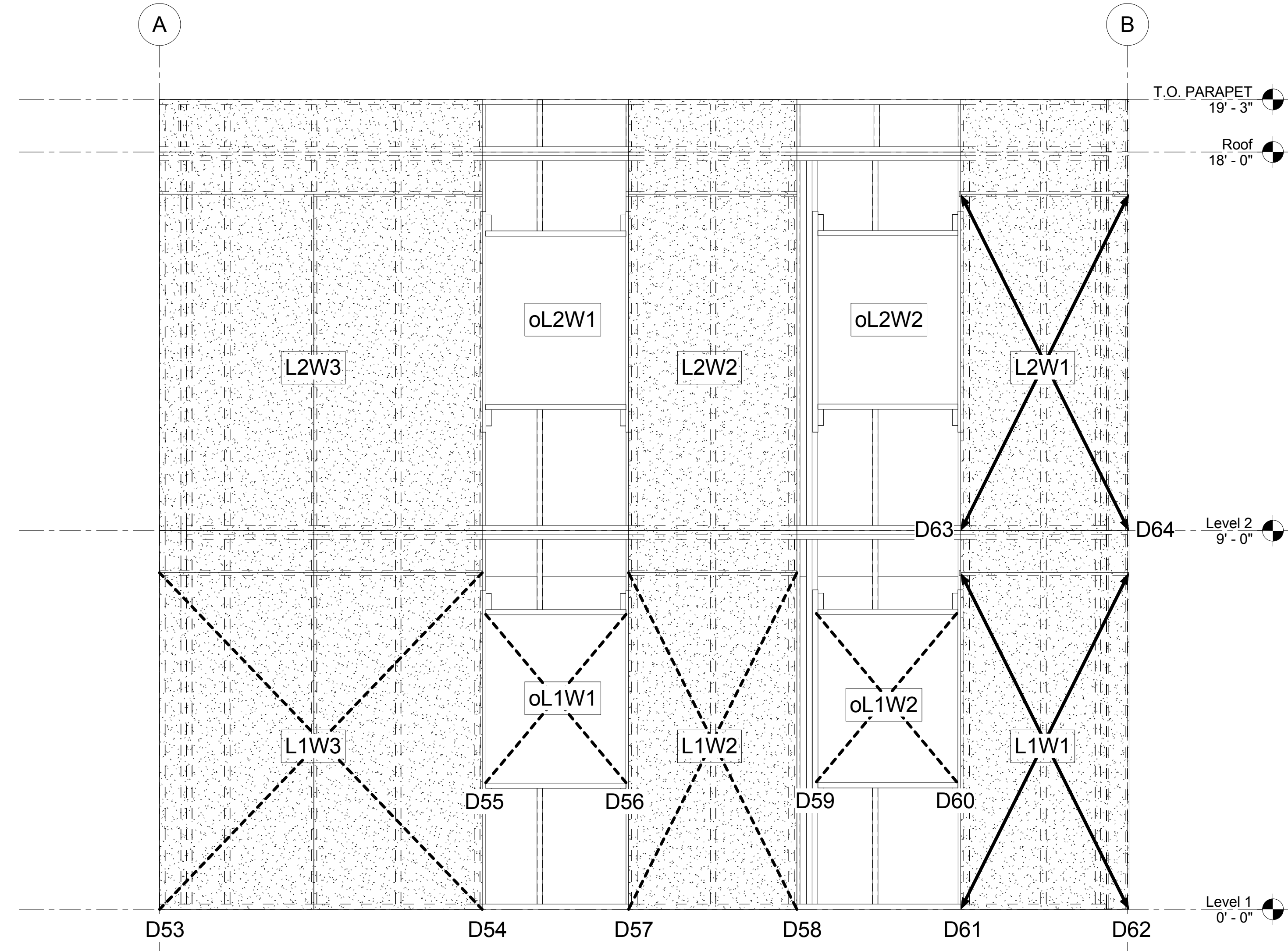
PROJECT: CFS - NEES
 PROJECT LOCATION:
 CLIENT: JOHNS HOPKINS UNIVERSITY

SHEET TITLE:
SENSOR ELEVATIONS

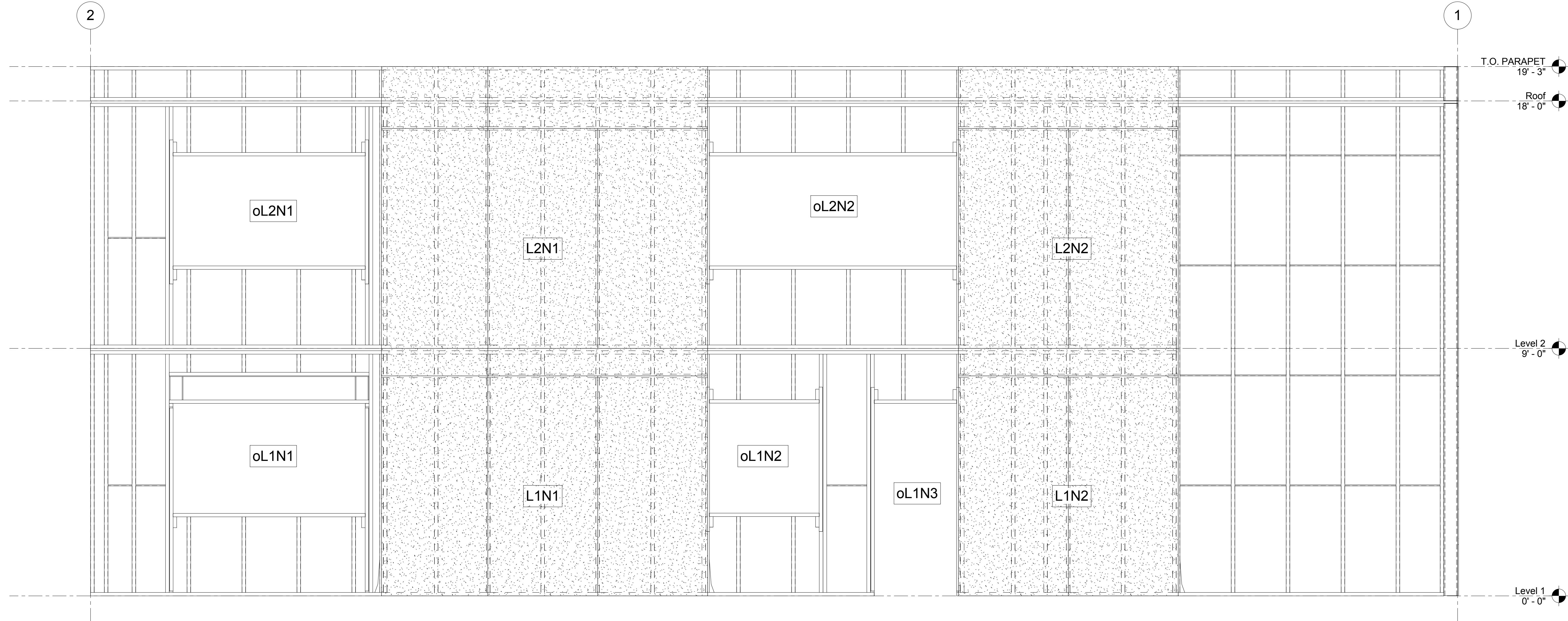
JOB NO. 10-277
 DRAWN BY: DEVCO
 DRAWING:
SF 6.10



5/28/2013 11:15:26 PM



2 WEST ELEVATION - STRING POTENTIOMETERS
1/2" = 1'-0"



1 NORTH ELEVATION - STRING POTENTIOMETERS
1/2" = 1'-0"

5/28/2013 11:15:54 PM

PRELIMINARY

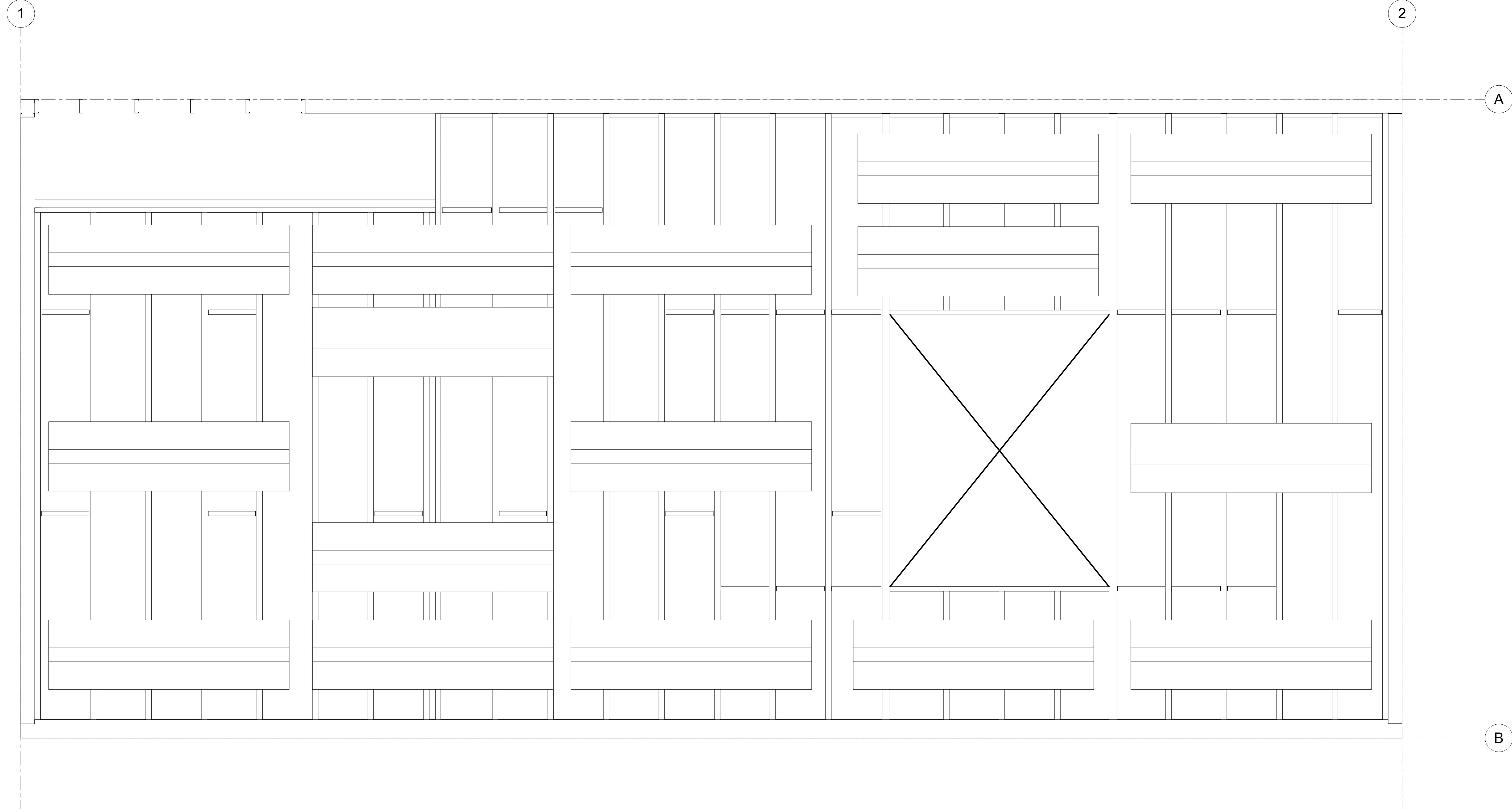
DRAWING STATUS:	DATE:	NO.:	REVISION:	DATE:
<input checked="" type="checkbox"/> PRELIMINARY	05/27/13	1		
<input checked="" type="checkbox"/> SUBMITTED				
<input type="checkbox"/> BID SET				
<input type="checkbox"/> PERMIT SET				
<input type="checkbox"/> CONST. SET				


DEVCO
 engineering inc.
 245 NE CONIFER, P.O. BOX 1211
 CORVALLIS, OR 97339
 WWW.DEVCOENGINEERING.COM
 © COPYRIGHT 2009
 DEVCO ENGINEERING, INC.
 ALL RIGHTS RESERVED.

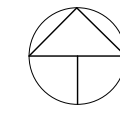
PROJECT: CFS - NEES
 PROJECT LOCATION:
 CLIENT: JOHNS HOPKINS UNIVERSITY

SHEET TITLE:
SENSOR ELEVATIONS

JOB NO. 10-277
 DRAWN BY: DEVCO
 DRAWING:
SF 6.11



1 Supplemental Mass FLOOR LAYOUT -
 PHASE 1
 1/2" = 1'-0"



JOB NO. 10-277
 DRAWN BY: DEVCO
 DRAWING:
SF 7.02

SHEET TITLE:
SUPPLEMENTAL MASS FLOOR - PHASE 1

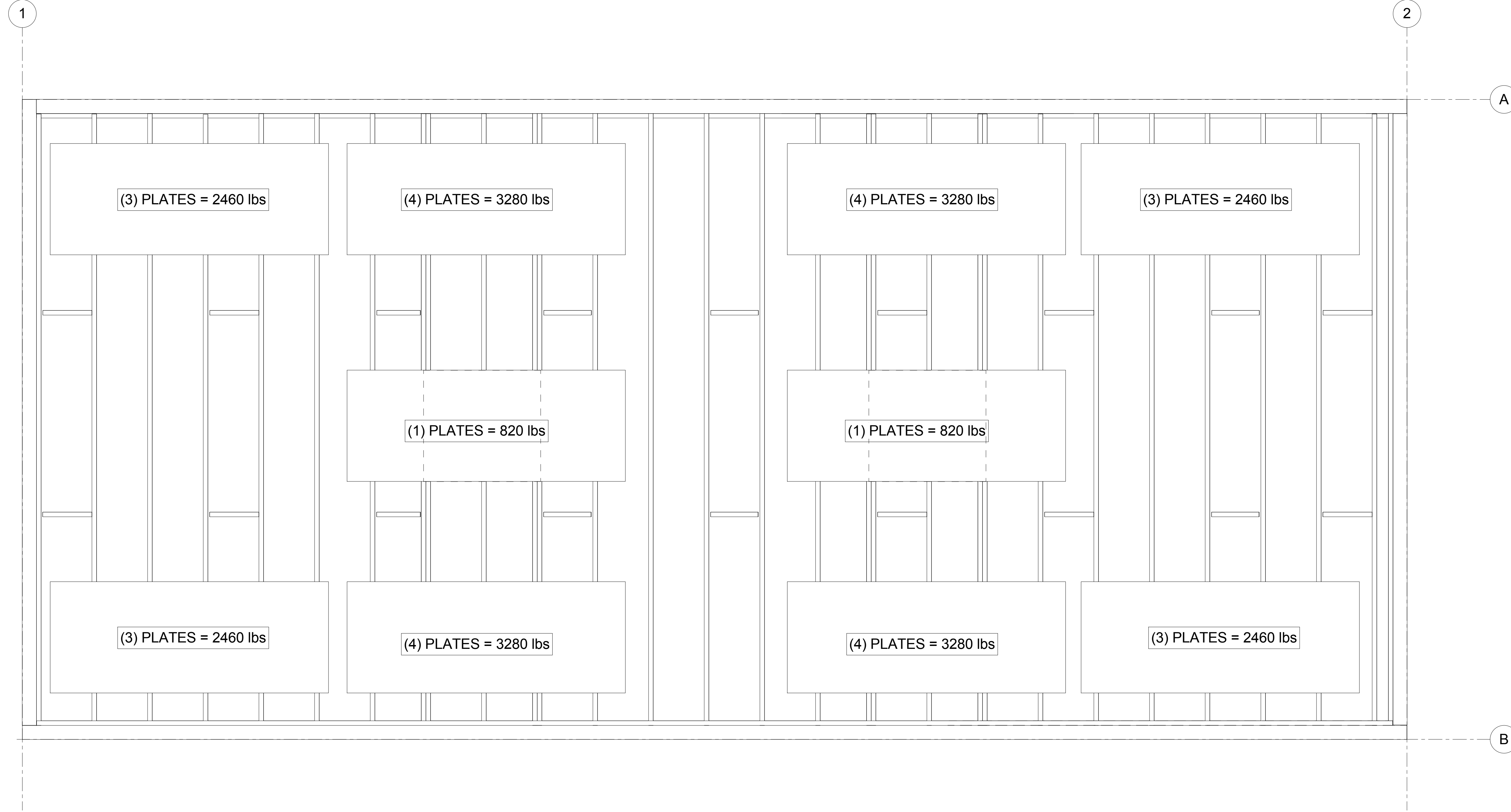
PROJECT:
CFS - NEES
 PROJECT LOCATION:
JOHNS HOPKINS UNIVERSITY

devco
 engineering inc.
 245 NE CONIFER, P.O. BOX 1211
 CORVALLIS, OR 97339
 WWW.DEVCOENGINEERING.COM
 © COPYRIGHT 2009
 DEVCO ENGINEERING, INC.
 ALL RIGHTS RESERVED.

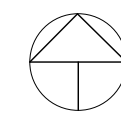
DRAWING STATUS:	DATE:	No.	REVISION:	DATE:
<input checked="" type="checkbox"/> PRELIMINARY	05/27/13	1		
<input checked="" type="checkbox"/> SUBMITTED				
<input type="checkbox"/> BID SET				
<input type="checkbox"/> PERMIT SET				
<input type="checkbox"/> CONST. SET				

PRELIMINARY

5/28/2013 11:15:35 PM



1 Supplemental Mass ROOF LAYOUT -
 PHASE 1
 1/2" = 1'-0"



SHEET TITLE:

SUPPLEMENTAL MASS ROOF - PHASE 1

PROJECT:
CFS - NEES

PROJECT LOCATION:

CLIENT:
JOHNS HOPKINS UNIVERSITY

Cornwall
Oregon



devo

engineering inc.

245 NE CONIFER, P.O. BOX 1211
CORVALLIS, OR 97339
WWW.DEVCOENGINEERING.COM

© COPYRIGHT 2009
DEVCO ENGINEERING, INC.
ALL RIGHTS RESERVED.

DRAWING STATUS:

PRELIMINARY

SUBMITTED

BID SET

PERMIT SET

CONST. SET

DATE: 05/27/13

NO. 1

REVISION:

DATE:

DATE:

PRELIMINARY

JOB NO. 10-277

DRAWN BY: DEVCO

DRAWING:

SF 7.03